

放料阀样本



浙江善流阀门科技有限公司

Zhejiang Shanliu Valve Technology Co.,Ltd.

放料阀图片集锦



平底放料阀

Flat-bottomed Discharge Valve



带接管放料阀

Discharge Valve with pipe Joint



气动放料阀

Pneumatic Discharge Valve



下展式放料阀

Downward Stretched Discharge Valve



上展式放料阀

Upward Stretched Discharge Valve



球形放料阀

Spherical Discharge Valve



加长杆放料阀

Discharge Valve with Extension Bar



手动Y型浆料阀

Manual Y-shaped Slurry Valve



角式放料阀

Angle Discharge Valve



涡轮Y型浆料阀

Worm Gear Y-shaped Slurry Valve



带接管放料阀

Discharge Valve with pipe Joint



涡轮角式放料阀

Worm Gear Angle Discharge Valve



气动出料阀

Pneumatic Discharge Valve



手动出料阀

Manual Discharge Valve

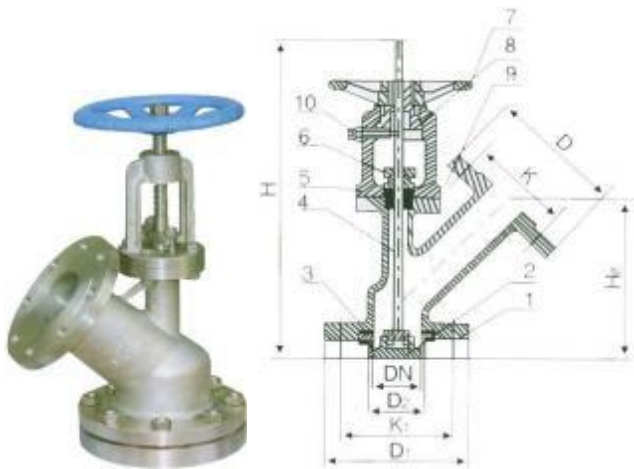
放料阀 Discharge valve

放料阀结构与原理:

TY45(HG5-81)放料阀主要由: 1、阀体、2、阀瓣、3、密封圈、4、阀杆、5、支架、6、阀压盖、7、手轮、8、法兰、9、螺母、10、定位螺钉等零件组成。手轮顺转, 阀门关闭, 阀杆向上移动, 此阀为上展式, 手轮顺转, 阀门关闭, 阀杆向下转动, 此阀为下展式。

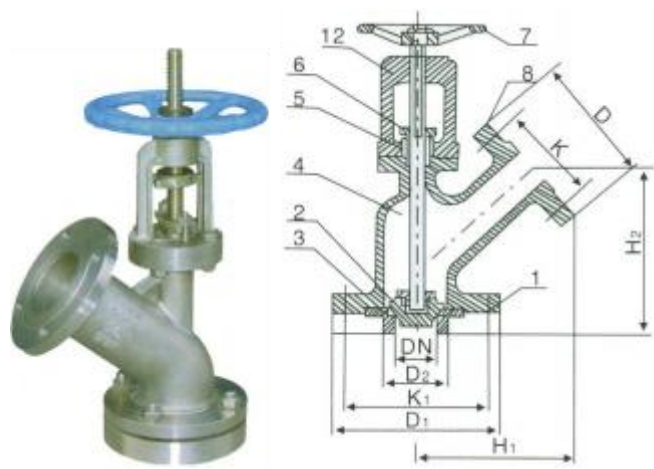
Discharge valve Structure and principle:

TY45 type Discharge valve mainly consists of body1, disc2, gasket ring3, stem4, support5, gland6, handwheel7, Flange8, nut9, 10 setting screw, etc. See the following figure for details. Rotate the handwheel clockwise to close the valve and the stem will move upwards, which means it 's an upward type ;rotate the handwheel clockwise to close the valve and the stem will move downwards, which means it 'sa downward type.



TY45 下展式放料阀图片

TY45 type downward Discharge valve picture



TY45 上展式放料阀图片

TY45 type upward Discharge valve picture

放料阀主要尺寸表:

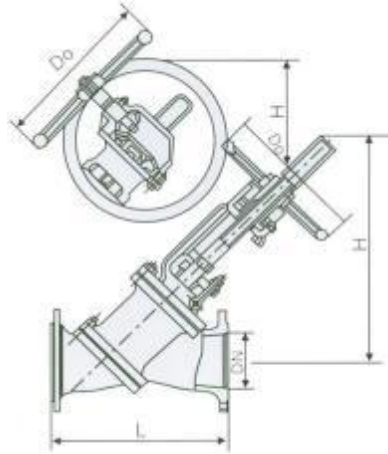
Discharge valve table for main dimensions:

公称通径 Nominal diameter		D	D1	K	K1	H	D2
上展式 Upward type	25	115	115	85	85	300	40
	32	135	135	100	100	350	50
	40	145	145	110	110	350	50
	50	160	160	125	125	360	75
	65	180	180	145	145	490	80
	80	195	195	160	160	510	95
	100	215	215	180	180	610	115
	150	280	280	240	240	745	165
	200	335	335	295	295	920	245
下展式 Downward type	25	115	135	85	100	240	53
	32	135	145	100	110	280	60
	40	145	160	110	125	290	80
	50	160	180	125	145	310	100
	65	180	195	145	160	440	110
	80	195	225	160	190	450	135
	100	215	260	180	225	520	180
	150	280	335	240	295	660	215
200	335	405	295	335	850	285	

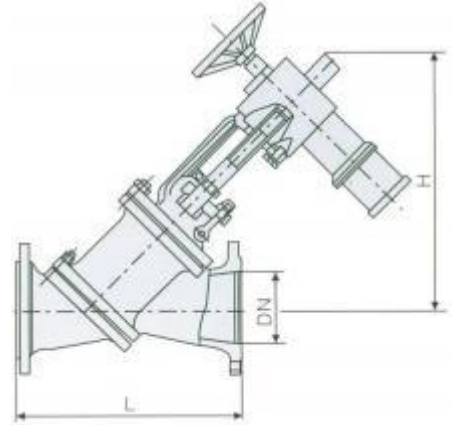
料浆阀
Slurry Valve



JS545 Y 型料浆阀图片
JS545 Y type Slurry Valve picture



JS45 Y 型料浆阀结构图
JS45 Y type Slurry Valve general drawing



JS945 Y 型料浆阀图片尺寸图
JS945 Y type Slurry Valve external dimensions drawing

PN10-25 150Lb 料浆阀主要尺寸:

PN10-25 150Lb Slurry Valve main dimensions:

DN	50	80	100	125	150	200		250		300		350		400
驱动方式	手动	手动	手动	手动	手动	齿动	电动	齿动	电动	齿动	电动	齿动	电动	齿动
Driving Means	Manual	Manual	Manual	Manual	Manual	Geared	Electric	Geared	Electric	Geared	Electric	Geared	Electric	Geared
L	230	310	350	400	480	600	600	730	730	850	850	980	980	1100
Do	250	250	250	320	360	450	305	450	305	450	305	600	305	600
H	320	390	420	510	595	800	980	920	1025	1075	1050	1140	1080	1240
电装齿轮装置型号	-	-	-	-	-	BA-1	SMX-00	BA-1	SMX-00	BA-1	SMX-00	BA-1	SMX-0	BA-2

300Lb 料浆阀主要尺寸:

300Lb Slurry Valve main dimensions:

DN	2	3	4	5	6	8	8	10	10
驱动方式	手动	手动	手动	手动	齿动	齿动	电动	齿动	电动
Driving Means	Manual	Manual	Manual	Manual	Geared	Geared	Electric	Geared	Electric
L	361	405	461	546	619	736	736	841	841
Do	305	350	500	500	550	600	305	700	457
H	426	490	730	810	1320	1450	1500	1450	1550
电装齿轮装置型号	-	-	-	-	BA-2	CSX-2	SMC-1	CSX-1	SMC-2

400Lb 料浆阀主要尺寸:

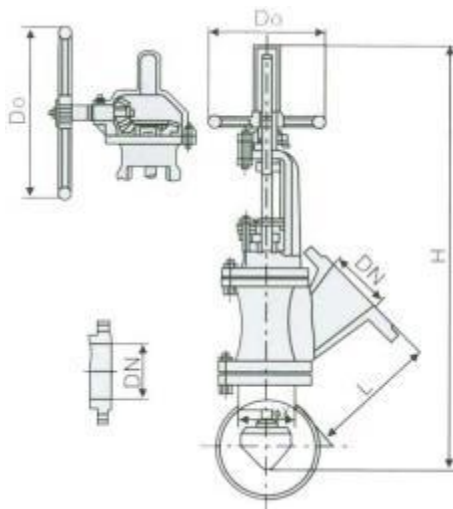
400Lb Slurry Valve main dimensions:

DN	2	2	3	4	6	6	8	8	10	10
驱动方式	手动	电动	手动	手动	齿动	电动	电动	齿动	齿动	电动
Driving Means	Manual	Electric	Manual	Manual	Geared	Electric	Electric	Geared	Geared	Electric
L	378	378	470	546	634	634	771	771	865	865
Do	305	200	350	450	600	305	400	650	700	457
H	465	426	520	650	1016	1105	1200	1140	1150	1280
电装齿轮装置型号	-	SMC-04	-	-	CSX-3	SMC-0	SMC-1	BA-2	BA-2	SMC-2

平底放料阀 Flat-bottomed Discharge Valve



FS545Y 型平底放料阀图片



FS45、FS545 Y 型平底放料阀

FS545 Y-type Flat-bottomed Discharge Valve picture

FS45、FS545 Y-type Flat-bottomed Discharge Valve external dimensions drawing

平底放料阀主要性能参数：

Main Performance Parameters of Flat-bottomed Discharge Valve:

型号 Model	压力(Lb) Pressure Class (Lb)	适用温℃ Suitable Temperature	适用介质 Suitable Medium	材料 Material			
				阀体、阀盖、 阀瓣 Body, bonnet, disc	阀杆 Stem	密封面材 料 Seal ing ring	填料 Packing
FS45Y-150 (Lb)	150	≤425	碱性氧化铝料解 剖浆 Alkaline alumina Anatomization Plasm	WCB	铬不锈钢 Chromium stainess steel	堆焊硬质 合金 Bui lt-up Welded Hard alloy	柔性石墨 Flexible graphite
FS45Y-400 (Lb)	400						
FS545Y-150 (Lb)	150						
FS545Y-400 (Lb)	400						

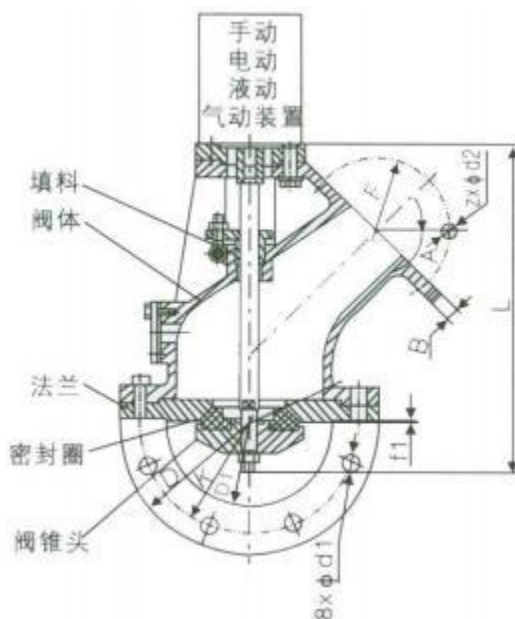
平底放料阀主要外形及结构尺寸：

Main Dimensions of flat-bottomed Discharge Valve:

(mm)

DN	2	3	4	5	6	7	8	10	12
驱动 方式	手动	手动	手动	手动	手动	齿动	齿动	齿动	手动
Dr iving Means	Manua l	Manua l	Manua l	Manua l	Manua l	Geared	Geared	Geared	Manua l
L	155	215	235	275	335	400	500	590	254
Do	250	250	250	320	360	450	600	600	305
H	490	490	632	668	925	1145	1365	1390	90
ΦX	63.5	89	114	250	159	215	470	510	652

液控进料阀 Hydraulic Control Feeding Valve



DF J745F 液控进料阀总装图

DF J745F Hydraulic Control Feeding Valve general drawing

DF J745F 液控进料阀主要性能参数:

Main Performance Parameters of DF J745F Hydraulic Control Flat-bottomed Discharge Valve:

型号 Model	PN	工作压力 /MPa Pressure Class (Lb)	适用温℃ Suitable Temperature	适用介质 Suitable Medium	材料 Material
DF J745F-2.5	2.5	0.25	≤150	阀体、锥阀头、法兰 Body, conic valve head, flange 食品、医药及硝酸类 Food, medicine and nitric acid 奥氏体不锈钢 Austenitic stainless steel	密封圈 填料 Sealing Ring 聚四氟乙烯

DF J745F 液控进料阀主要外形及结构尺寸:

Main Dimensions of DF J745F Hydraulic Control Flat-bottomed Discharge Valve:

(mm)

DN	L	D	K	D1	f1	8 × Φd1	B	F	A	z × Φd2
125	464	340	295	240	2	8 × Φ22	20	210	22.5	8 × Φ16
80	362	285	240	180	2	8 × Φ18	14	160	45	4 × Φ18