

浙江善流阀门科技有限公司

Zhejiang Shanliu Valve Technology Co.,Ltd.

浙江善流阀门科技有限公司
Zhejiang Shanliu Valve Technology Co.,Ltd.

地 址：中国 浙江省温州市瓯北街道三桥工业区林下路1号
Address: No.1 Linxia Road, Sanqiao
Industrial Zone, Oubei Street,
Yongjia County, Zhejiang
Province, China

Http://www.shanliuvalve.com

Email:sales@shanliuvalve.com

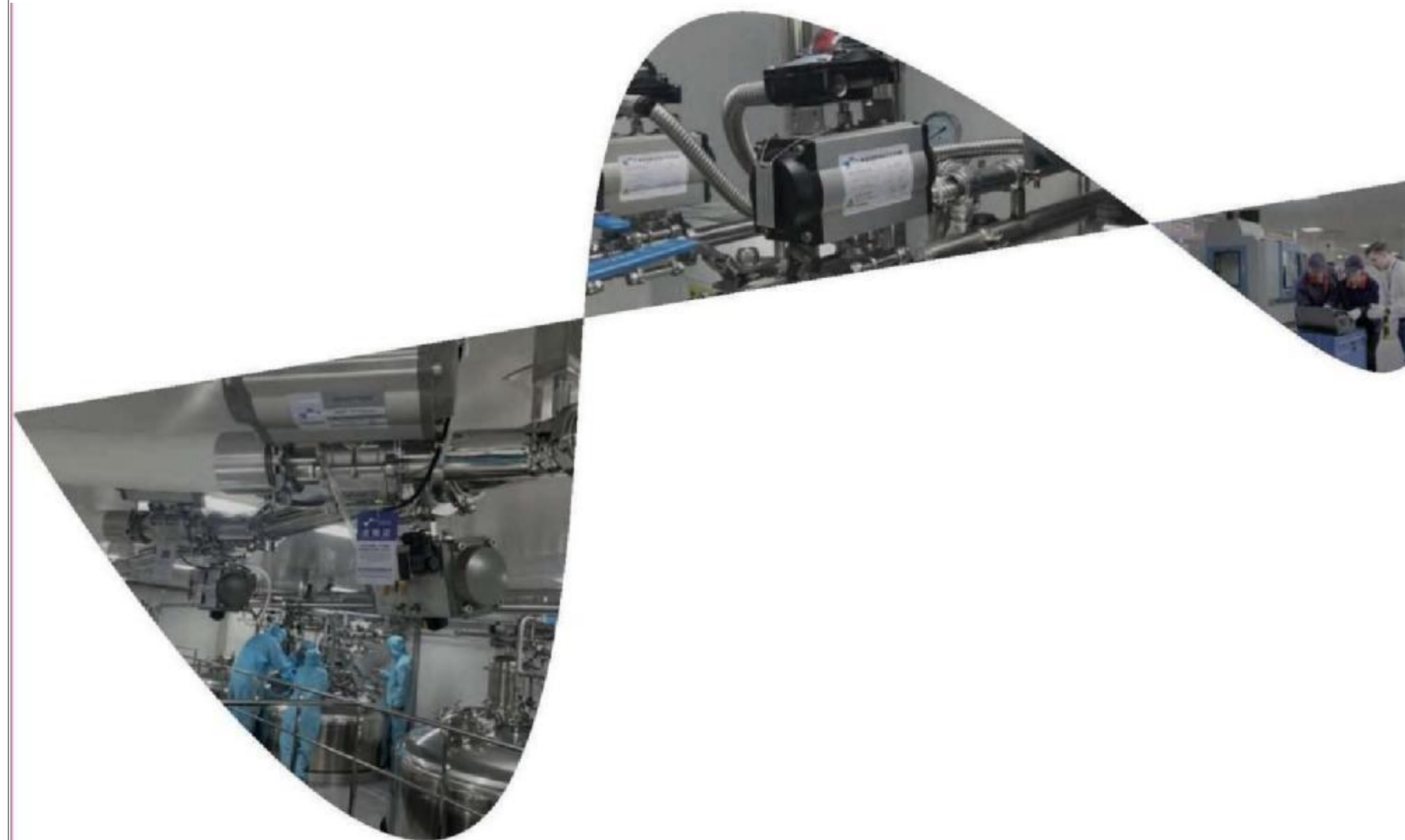
电话 (Tel):0577-67198981

传真 (Fax):0577-67038872

邮编 (PC):325100

浙江善流阀门科技有限公司

- BIOMEDICINE
- FOOD AND BEVERAGE
- FINE CHEMICALS
- LITHIUM BATTERY
- SEMICONDUCTOR INDUSTRY
- 生物医疗 · 食品饮料 · 精细化工 · 锂电、半导体行业
- 液冷专阀







CONCENTRATE, FOCUS, AND
BE MORE PROFESSIONAL

专心专注更专业

品味虽贵必不敢减物力

炮制虽繁必不敢省人工

Although the taste is expensive, we will not dare
to reduce material resources;

Although the processing is complicated, we will not
dare to save labor.

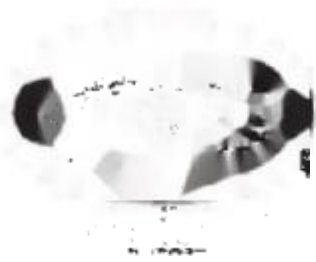


企业简介 Production Department

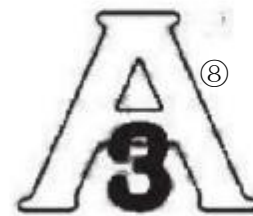
浙江善流阀门科技有限公司(简称“善流科技”)成立于2018年,总部及制造基地位于“中国泵阀之乡”——浙江温州永嘉,是一家集研发、设计、生产、销售与服务于一体的现代化高新技术企业,专注于流体控制阀门高端领域。公司深耕城市给排水、水利水电、市政管网、消防系统及环保水处理等领域,主营闸阀、蝶阀、调流阀、止回阀、减压阀、空气阀、水力控制阀等系列产品,致力于为全球水务工程提供一站式阀门解决方案。秉承“零缺陷、全溯源、持续改进”的质量方针,公司建立了全流程、标准化、数据驱动的生产管理体系。产品严格遵循GB、ISO、API、AWWA等国内外权威标准,实施模块化设计、CAD/CAE结构优化与有限元分析,确保结构安全与性能优越。从原材料到售后服务,公司推行生产工艺标准化、精益布局与5S管理,严格执行“自检、互检、专检”三检制,关键工序结合无损探伤、热处理、高精度研磨等工艺,确保密封可靠、质量过硬。所有产品赋予唯一身份编号,实现全生命周期可追溯。通过SPC等统计技术、根本原因分析与纠防体系,持续改进过程能力。公司倡导“技术为本、质量为先、服务至上”,以“尽善尽美,流光溢彩”为经营理念,致力于成为全球一流的流体控制设备供应商,为智慧水务系统贡献“善流”力量。公司通过实施严谨的生产管理体系,不仅能够保证给排水阀门产品在出厂时满足高标准,更能确保其在长达数十年的服役期内稳定运行,为城市的“生命线”工程提供坚实可靠的保障。这套体系是公司核心竞争力的重要体现,也是向客户传递信心的重要承诺。

伟的目标, 永恒的追求

——善流科技



FDA



作为国家级高新技术企业,伟恒先后通过了国内外严格的技术认证和产品认证:国家高新技术企业认证、国家特种设备许可证、涉水卫生安全许可、ISO9001质量管理体系认证、3A、7项发明专利、多种实用新型及外观专利证书……)

As a national high-tech enterprise, Weiheng has successively passed strict technical and product certifications both domestically and internationally: National High tech Enterprise Certification, National Special Equipment License, Water related Health and Safety License, ISO9001 Quality Management System Certification, 3A certificate, 7 invention patents, multiple utility model and appearance patent certificates etc

Zhejiang Shanliu Valve Technology Co., Ltd. ("Shanliu Technology") was founded in 2018, with its headquarters and manufacturing base located in Yongjia, Wenzhou, Zhejiang – the "Hometown of China's Pump Valves". It is a modern high-tech enterprise integrating R&D, design, production, sales, and service, with a focus on the high-end field of fluid control valves. The company specializes in urban water supply and drainage, water conservancy and hydropower, municipal pipelines, fire protection systems, and environmental water treatment. Its main products include gate valves, butterfly valves, flow control valves, check valves, pressure reducing valves, air valves, and hydraulic control valves, and it is committed to providing one-stop valve solutions for global water engineering projects. Adhering to the quality policy of "Zero Defects, Full Traceability, Continuous Improvement", the company has established a fully integrated, standardized, and data-driven production management system. Products strictly comply with authoritative national and international standards such as GB, ISO, API, and AWWA. The company employs modular design, CAD/CAE structural optimization, and finite element analysis to ensure structural safety and superior performance. From raw materials to after-sales service, the company implements standardized production processes, lean layout, and 5S management, strictly enforcing the "self-inspection, mutual inspection, and specialized inspection" system. Key processes integrate non-destructive testing, heat treatment, and high-precision grinding to ensure reliable sealing and excellent quality. Each product is assigned a unique identification number, enabling full life-cycle traceability. Through statistical process control (SPC), root cause analysis, and corrective and preventive action systems, the company continuously improves process capability. The company advocates the principles of "Technology as the Foundation, Quality as the Priority, Service as the Supreme" and operates under the business philosophy of "Continuous Perfection, Flowing Excellence", striving to become a world-class supplier of fluid control equipment and to contribute the strength of "Shanliu" to smart water systems. By implementing a rigorous production management system, the company not only ensures that its water supply and drainage valves meet high standards upon delivery but also guarantees stable operation throughout decades of service, providing reliable and solid protection for the city's "lifeline" projects. This system is a key embodiment of the company's core competitiveness and an important commitment to delivering confidence to its customers.



Great goal, eternal pursuit

— SHANLIUKEJI

质量管控 quality control



研发

R&D

20年来，善流科技恒洁净阀门一直与诸多制药，化妆品，生物工程等行业的领先业主及其设备厂商有着广泛密切的合作。

我们深知用户的需求，并以此为基础组建研发团队，解决用户需求。

For the past 20 years, Shan'liu'ke'ji Weiheng Clean Valve has had extensive and close cooperation with leading owners and equipment manufacturers in various industries such as pharmaceuticals, cosmetics, and biotechnology.

We are well aware of the needs of our users and have formed a research and development team based on this to address their needs.



CNC

善流科技伟恒追求卓越，致力于缔造高品质与高效率的传奇。

为了确保每个零件皆符合严苛的高标准，给予您可靠的质量保障，伟恒凭借CNC加工的卓越工艺，展现出无与伦比的实力。

Shan'liu'ke'ji Weiheng pursues excellence and is committed to creating a legend of high quality and high efficiency.

In order to ensure that every part meets the exacting high standards and gives you reliable quality assurance, Weiheng has demonstrated unparalleled strength with the excellent craftsmanship of CNC machining.

把控更安全、更高品质、更高卫生标准的全生产流程。

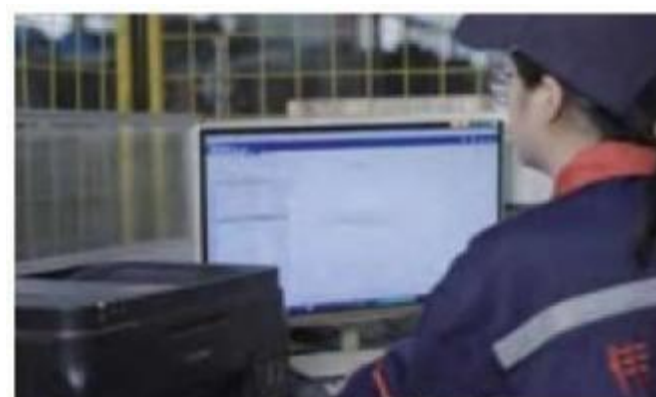
为确保获取到优质、高性价比的产品生产资源，我们以专业的眼光和严谨的态度，精选优质供应商，追求效率与质量的完美结合！

Control the entire production process with safer, higher quality, and higher hygiene standards

In order to ensure that we can obtain high-quality and cost-effective product production resources, we select high-quality suppliers with professional vision and rigorous attitude, and pursue the perfect combination of efficiency and quality!

采购

Procurement





测试

Testing

我们对每一款产品都会进行严格的产品测试。这个过程涵盖了多个环节，以确保产品的质量和性能达到高标准。

只有当产品通过了所有的测试，并且符合我们的严格要求时，才会被推向市场。

我们坚信，只有经过精心测试的产品，才能赢得客户的信任和满意。

We conduct rigorous product testing on each of our products. This process encompasses multiple steps to ensure that the quality and performance of the product is of a high standard.

Only when the product has passed all the tests and meets our strict requirements will it be introduced to the market.

We firmly believe that only well-tested products can win the trust and satisfaction of customers.



物流

Logistics

我们深知，时间对于客户来说至关重要，因此我们致力于通过引进先进物流体系，不断提升我们的服务质量。让您能够在最短的时间内收到货物，享受更便捷、更优质的购物体验。

We are well aware that time is crucial for our customers, so we are committed to continuously improving our service quality by introducing advanced logistics systems. Enable you to receive your goods in the shortest possible time and enjoy a more convenient and high-quality shopping experience.

定位于制药、生物医药、食品、化妆品等行业的卫生洁净产品需求。公司引进TDI 刀具管理系统，自动补偿功能，在线自动补刀、刀具寿命管理分析。测量仪器为在线激光传感器、在线测量仪器与产线控制器连接与网络服务器连接，实现工件加工过程中自动修正刀具补偿，以达到高精度、高效化、自动化、可控化的品质管控。

Targeted at the demand for hygiene and cleanliness products in industries such as pharmaceuticals, bio-pharmaceuticals, food, cosmetics, etc

The company has introduced TDI tool management system, automatic compensation function, online automatic tool compensation, and tool life management analysis. The measuring instruments are connected to online laser sensors, production line controllers, and network servers to achieve automatic tool correction and compensation during work piece processing, achieving high-precision, efficient, automated, and controllable quality control

组 装

Assembly



因为专注所以进步，善流科技伟恒早已实现生产全流程的品质管控。对产品细节极致苛求渗入每个伟恒人的血液，以满足用户高品质产品需求，从巡检到互检从抽检到终检，每一步都体现着善流科技伟恒做好做精的决心。

Because of focus, progress is made. Shan'liu'ke'ji Weiheng has already achieved quality control throughout the entire production process. Extremely demanding product details penetrate into the blood of every Shan'liu'ke'ji Weiheng clerk to meet the needs of users for high-quality products. From patrol inspection to mutual inspection, from sampling inspection to final inspection. Every step reflects Weiheng's determination to do the best and the top excellence.

质量控制 Quality Control





生产/装备 Production/equipment



定位于制药、生物医药、食品、化妆品等行业的卫生洁净产品需求
公司引进TDI 刀具管理系统，自动补偿功能，在线自动补刀、刀具寿命管理分析。测量仪器为在线激光传感器、在线测量仪器与产线控制器连接与网络服务器连接，实现工件加工过程中自动修正刀具补偿，以达到高精度、高效化、自动化、可控化的品质管控

Targeted at the demand for hygiene and cleanliness products in industries such as pharmaceuticals, bio-pharmaceuticals, food, cosmetics, etc



The company has introduced TDI tool management system, automatic compensation function, online automatic tool compensation, and tool life management analysis. The measuring instruments are connected to online laser sensors, production line controllers, and network servers to achieve automatic tool correction and compensation during workpiece processing, achieving high-precision, efficient, automated, and controllable quality control



对产品细节极致苛求渗入每个太善流科技伟恒人的血液，以满足用户高品质产品需求

从巡检到互检从抽检到终检
每一步都体现着伟恒做好做精的决心

Extremely demanding product details penetrates into the blood of every Shan'liu'ke'ji Weiheng clerk to meet the needs of users for high-quality products

From patrol inspection to mutual inspection,from sampling inspection to final inspection
Every step reflects Weiheng's determination to do the best and the top excellence.

思想的碰撞

带来的是更加紧密的结合
带来改变的

往往是一次次思想浪潮的融合，心与心的交流，更是爱的传递！
每一款产品

都经过材质、工艺、设计等多重推敲

用先进科技实现人类健康生活高品质需求

产品广泛应用于：生物医药、精细化工、乳食品、酒类等

The collision of ideas

Bringing a tighter integration

And all the changes

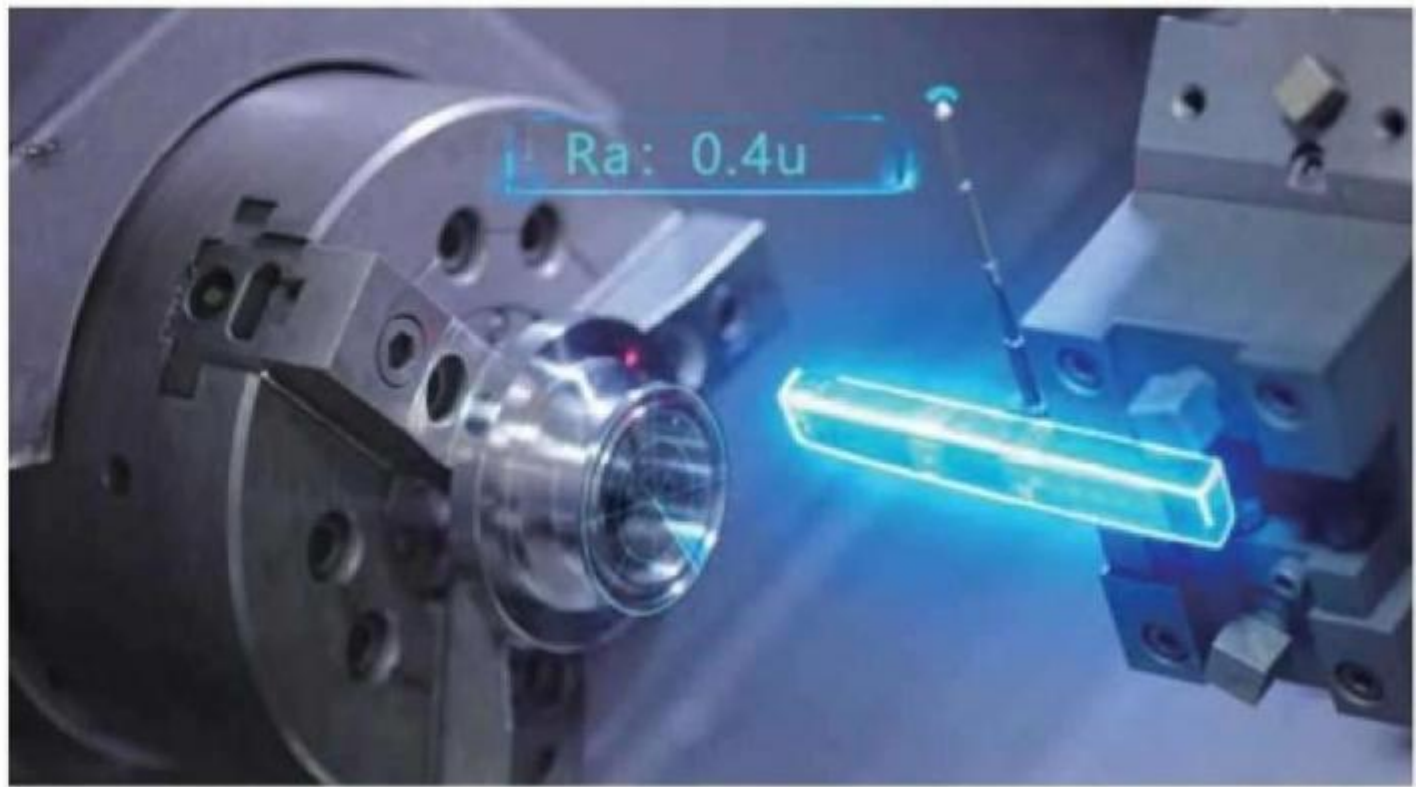
are often the fusion of thought waves,the deep exchange between hearts ,and also the transmission of love!

Each product

All have undergone multiple considerations such as material, craftsmanship,and design

Using advanced technology to meet the high-quality needs of human health and life

These products are widely used in biomedicine,fine chemicals,dairy products,alcoholic beverages,etc



无论何时都不忘记心中的使命
 将伟恒这颗新星推向璀璨
 善流科技伟恒专注于生物医药、食品饮料、精细化工、电子半导体等
 洁净工艺 管道系统的卫生级阀门、蝶阀、隔膜阀，高洁净球阀、管
 件等系列产品 的生产与研发，属国家级高新技术企业

Never forget the mission in our heart at any time
 Pushing Weiheng, a new star, towards brilliance
 Shan'liu'ke'ji Weiheng is a national high-tech
 enterprise ,integrating the production, research
 and development of sanitary valves,butterfly
 valves, diaphragm valves, high cleanliness ball
 valves, pipe fittings, and other series of products
 for clean process pipeline systems such as bio-
 pharmaceuticals, food and beverage, fine
 chemicals, and electronic semiconductors etc

光预热的结合
 内能与热能的转变
 改变的不仅仅是形
 更是每一款产品的神
 方型三通阀体加工、盖压光工艺
 是以先进科技实现产品高品质的承诺
 更是走向耐久、实用、安全的重要途径
 当然善流科技伟恒也从不怕考验
 为您服务，善流科技伟恒深感荣幸!

The combination of light preheating
 The transformation between internal energy and thermal energy
 What changed is not just about form
 It is also the soul of every product
 Processing and cover pressing technology on the Square Three-way valve
 body
 is a commitment to achieve high-quality through advanced technology
 It is also an important way towards durability, practicality,and safety
 For sure, Shan'liu'ke'ji Weiheng is never afraid of tests
 To serve you is always Shan'liu'ke'ji Weiheng's honor!



水处理
Water Treatment



日化
Daily Chemicals



生物医药
Biomedicine



食品饮料
Food & Beverage



半导体
Semiconductor



精细化工
Fine chemicals

林炳春董事长随同胡锦涛主席在古巴访问合影(中排左三)



目录 Catalogue

15

阀体部分
Valve Body Part

密封示意图
Sealing Diagram

气动作用方式
Pneumatic Action

执行机构动作时间
Actuator Action Time

O型球阀选型参考
O-type Ball Valve Selection

29

卫生级直通球阀
Sanitary Straight
Ball Valve

卫生级气动球阀
Sanitary Pneumatic Ball Valves

卫生级三通球阀
Sanitary Three Way Ball Valve

卫生级气动三通球阀
Sanitary Pneumatic
Three Way Ball Valve

35

卫生级锻件球阀
Sanitary Forging
Ball Valves

卫生级锻件三通球阀
Sanitary Forging Three-Way Ball Valve
锂电洁净阀门

Special Valve For Lithium Battery
锂电自控洁净阀门
Lithium Battery Self-Controlled
Clean Valve

卫生级锻件三通球阀
Sanitary Forging Three-Way Ball Valve

51

洁净自控调节阀
Clean Self-Controlled
Control Valve

洁净气动三片球阀
Clean Pneumatic Three-
Piece Ball Valve
双控球阀
Double-Controlled Ball Valve
手动真空三通球阀
Manual Vacuum Three-way
Ball Valve

67

高纯度球阀
High Purity
Ball Valves

保温球阀
Square Ball Valve
酿酒球阀
Square Ball Valve

85

卫生级隔膜阀
Sanitary
Diaphragm Valve

隔膜片
Diaphragm
卫生级隔膜阀
Sanitary Diaphragm Valve

迷你型手动隔膜阀
Mini Manual
Diaphragm Valve

气动隔膜阀
Sanitary Pneumatic
Diaphragm Valve

71

衬氟快装球阀
Fluorine-lined Quick-load
Ball Valve

衬氟三通球阀
Fluorine-lined Three-way Ball Valve
衬氟快装弯头
Fluorine-lined Quick Fitting Elbow
衬氟三通快装弯头
Fluorine-lined Tee Quick-fit Elbow
衬氟快装蝶阀
Fluorine Lined Quick Installation
Butterfly Valve

91

卫生级蝶阀
Sanitary Butterfly
Valve

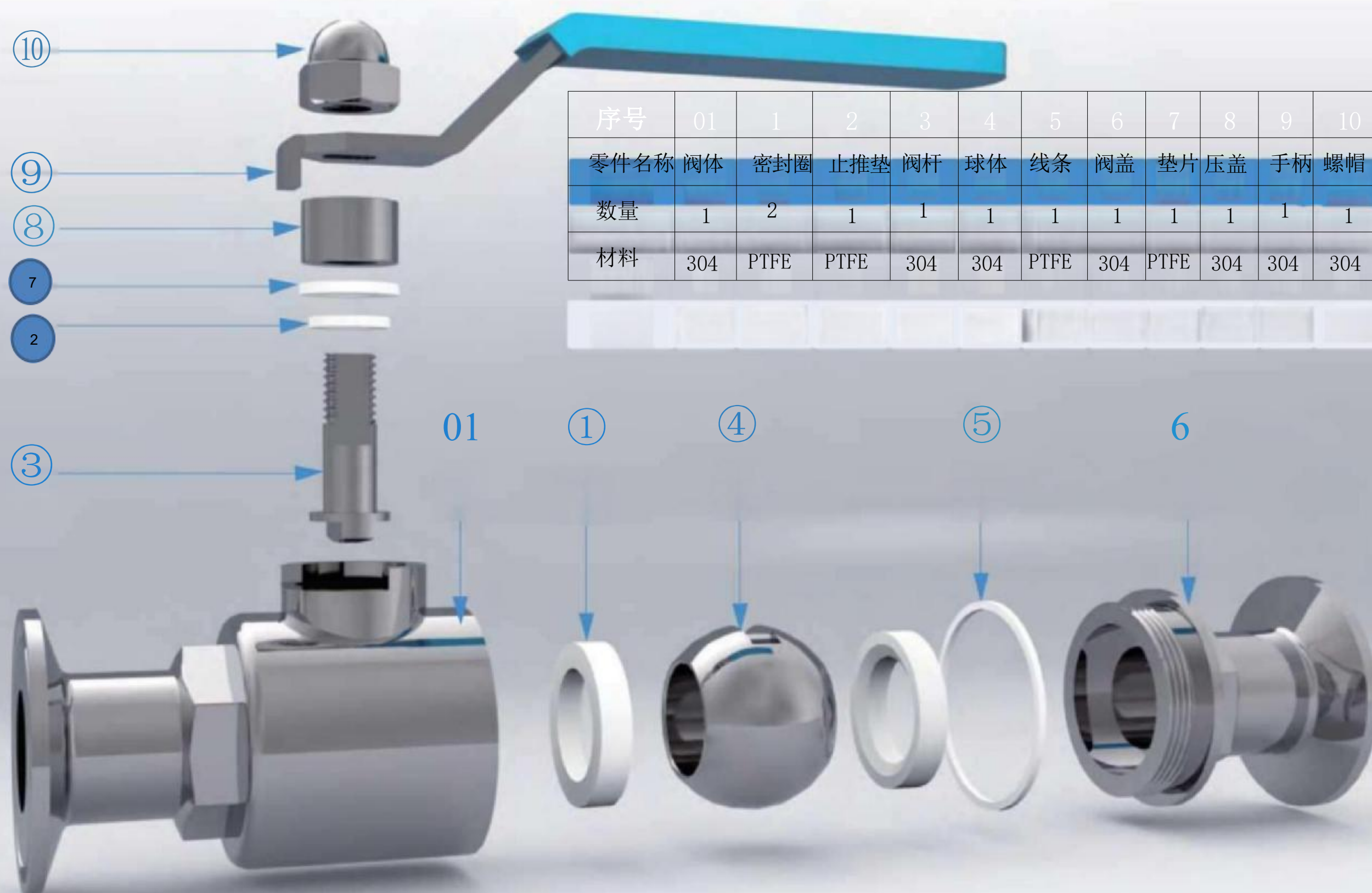
不锈钢气动执行器
Stainless Steel Pneumatic Actuator

卫生级蝶阀手柄
Sanitary Butterfly
Valve Handle
卫生级手动焊接蝶阀
Sanitary Manual Welding
Butterfly Valve

卫生级手动快装蝶阀
Sanitary Manual Clamp
Butterfly Valve

阀体部分 Valve Body Part

- 结构大类: O 型球阀
- 球芯型式: 全通径O型球
- 流量特性: 快开
- 公称压力: 1.6、2.5、4.0、6.4Mpa、ANSI150、300
- 阀门口径: DN15~300(1/2"~12")
- 适用温度: -20~+200℃、-20~+320℃
- 泄漏标准: VI 级、零泄漏
- 连接方式: 法兰、焊接、快装、内螺纹、外螺纹、卡套
- Structure category: O type ball valve
- Ball core type: full bore O-ball
- Flow characteristics: quick opening
- Nominal pressure: 1.6, 2.5, 4.0, 6.4 Mpa, ANSI 150, 300
- Valve size: DN15~300(1/2"~12")
- Applicable temperature: -20~+200℃, -20~+320℃
- Leakage standard: Class VI, zero leakage
- Connection method: flange, welding, quick assembly, internal thread, external thread, ferrule



密封示意图 Sealing Diagram

此密封结构在低压时由弹性唇缘紧贴阀芯保持密封，随着介质压力、温度的变化，密封圈弹性变形，自动补偿，使阀门始终保持低扭矩紧密密封。

This sealing structure is tightly sealed by the elastic lip against the valve core at low pressure. With the change of medium pressure and temperature, the sealing ring is elastically deformed and automatically compensated, so that the valve always maintains a tight seal with a low torque.

根据您的需求，选择以下认证。

我们可以为您提供以下附带认证标识的封件：

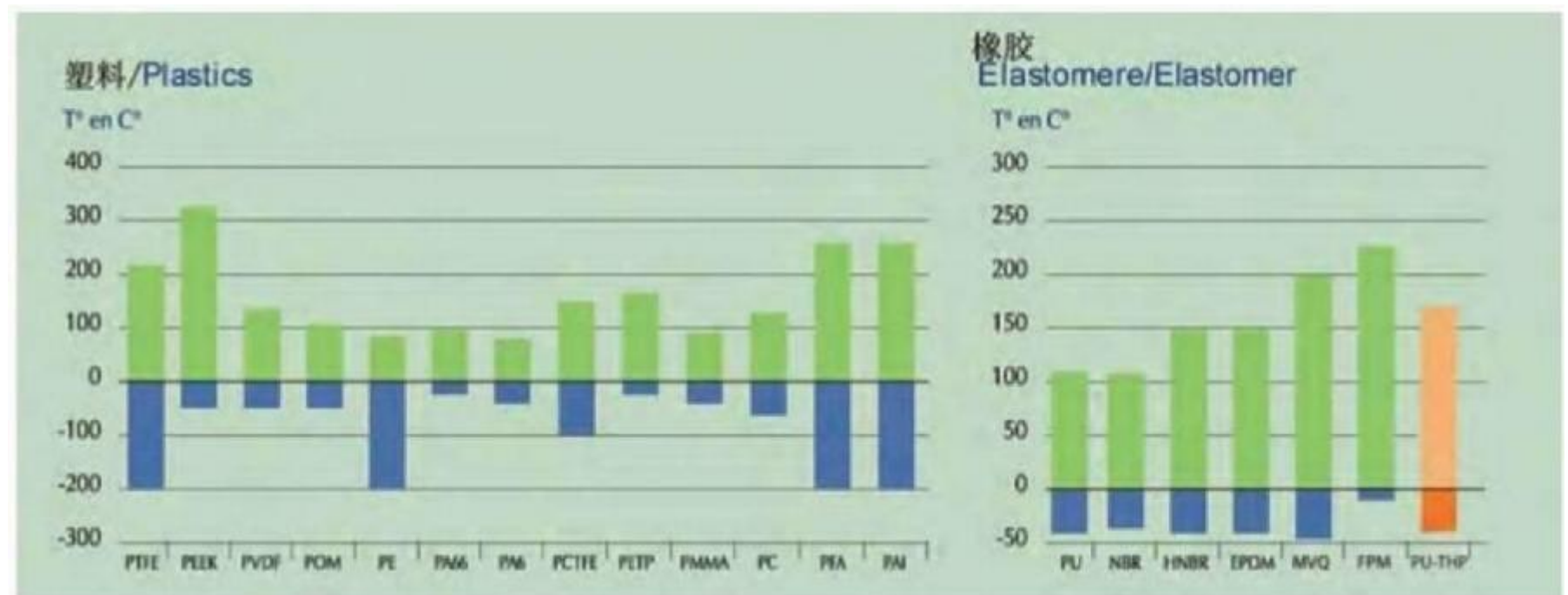


以下温度仅供参考之用

材料的实际耐温性也与工作条件有关
(压力，外界环境...)

The following temperatures are given only as a guide.

The actual resistance depends also on working conditions (stress, environment...)



我们建议使用这个物性与PU类似的新型橡胶。它可以在高温环境下替代PU。(最高170摄氏度)

We propose this new rubber with a structure similar to PU. It can be used instead of the latest for high temperature environment (up to 170°)

塑料-物性 Plastics-Properties

以下给出的物性仅为了帮助您挑选材料作指导之用。填充物和材料类型的不同，某些物性会有些许变化。(PA6/PA66 等等)

These properties are given as a guide only to help you choose the material. Some variations are possible according to the charge and the type of material (PA6/PA66 etc.).

	PA	POM	PE	PTTE	PEEK	PETP	PC	PVDF
耐磨性 Wear resistance	很好 very good	一般 average	极好 exceptional	一般 average	极好 exceptional	很好 very good	一般 average	好 good
抗寒性 Cold Flow resistance	好 good	好 good	一般 average	一般 average	很好 very good	很好 very good	好 good	一般 average
脆性 Brittleness	极好 exceptional	一般 average	极好 exceptional	很好 very good	好 good	不用 do not use	极好 exceptional	一般 average
摩擦系数 Friction coefficient	很好 very good	一般 average	很好 very good	极好 exceptional	很好 very good	很好 very good		很好 very good
不易变形 Dimensional stability	不用 do not use 吸潮 humidity uptake	好 good	不用 do not use 膨胀 dilatation	不用 do not use 膨胀 dilatation	极好 exceptional	很好 very good	好 good	一般 average
抗化学性 Chemical resistance	一般 average	一般 average	很好 very good	极好 exceptional	很好 very good	一般 average	一般 average	很好 very good
耐蒸煮 Steam resistance	不用 do not use	一般 average	一般 average	很好 very good	很好 very good	不用 do not use	-	好 good
电气绝缘 Electrical insulation	好 good	好 good	极好 exceptional	好 good	很好 very good	好 good	好 good	-

气动作用方式 Pneumatic Action

双作用 Double acting

气源故障时，阀门处于失气位置，无复位弹簧，推力大，是气缸式的首选。

When the air source fails, the valve is in the deflated position, there is no return spring, and the thrust is large. It is the first choice for the cylinder type.

单作用 Single acting

气源故障时，执行机构弹簧将阀门复位至原始极限位置（全开或全关），有气开式和气关式两种。

When the air source fails, the actuator spring will reset the valve to the original limit position (fully open or fully closed). There are two types: air open and air close.

气关式 Air-closed

当气源故障时，执行机构弹簧将阀打开。

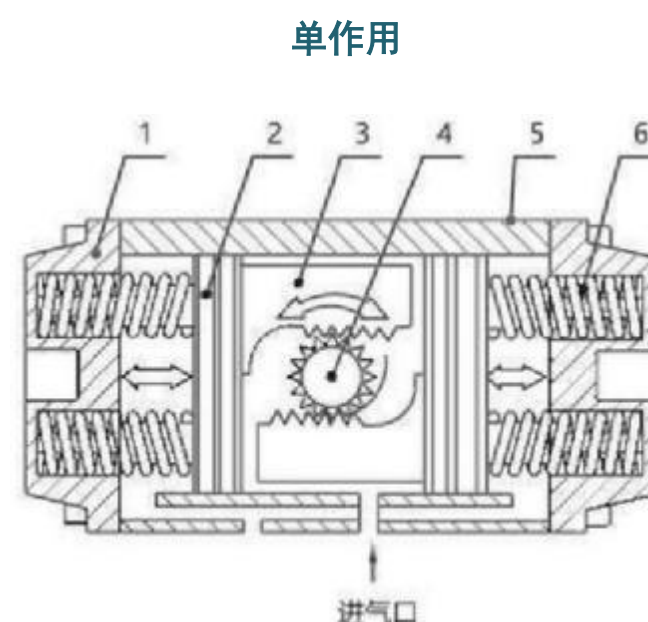
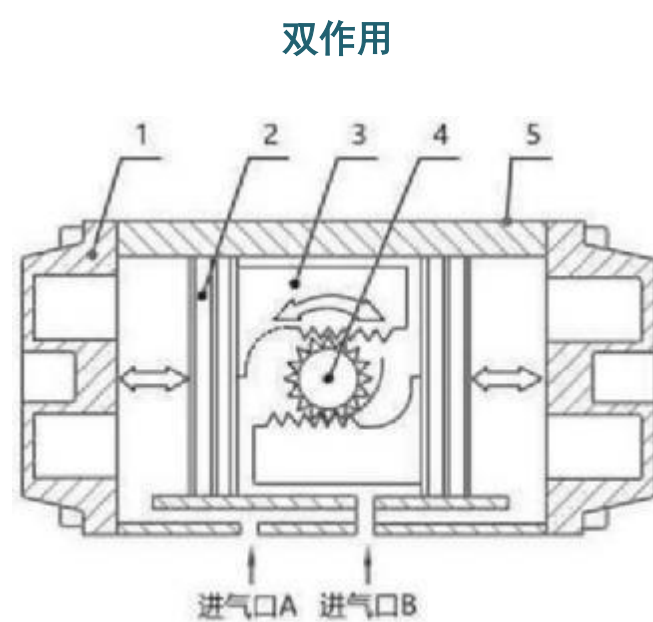
When the air source fails, the actuator spring will open the valve.

气开式 Air open

当气源故障时，执行机构弹簧将阀关闭。

When the air source fails, the actuator spring will close the valve.

活塞式执行机构 Piston type actuator



1、缸盖 2、活塞环 3、活塞 4、输出轴 5、缸体 6、弹簧

气动活塞式执行机构采用双活塞齿条齿条结构，具有结构紧凑、输出力大、动作准确、单作用与双作用互换性强等优点。

执行机构动作时间 Actuator Action Time

1、气动执行机构动作时间 (Sec)/Pneumatic actuator action time (Sec)

缸径 (mm)	50	63	75	88	100	115	115	145	160	180	200	240	265	330	
双作用	0.5	0.5	0.7	0.7	0.8	0.9	0.9	1.5	1.8	2.4	3.0	3.8	5.0	6.5	
单作用	打开	0.8	0.8	0.9	0.9	1.1	1.2	1.2	2.1	2.6	3.8	4.2	6.0	7.5	8.5
	关闭(复位)	0.6	0.6	0.8	0.8	0.9	1.1	1.1	1.8	2.1	2.6	3.8	4.2	6.0	7.5
气缸容积 (L/次)	0.15	0.26	0.49	0.78	1.11	1.8	1.8	3.8	4.9	6.9	9.5	15.2	21.3	40.0	

耗气量计算 Air consumption

AT 系列执行器开向体积和关向体积 AT Series Air volume opening & closing

型号 Modle	开向体积 (升) Volume opening	关向体积 (升) Volume closing
AT-32DA	0.04	
AT-45DA	0.08	0.11
AT-52DA	0.11	0.14
AT-63DA	0.20	0.23
AT-75DA	0.29	0.38
AT-83DA	0.41	0.55
AT-92DA	0.62	0.91
AT-105DA	0.94	1.18
AT-125DA	1.47	1.85

型号 Modle	开向体积 (升) Volume opening	关向体积 (升) Volume closing
AT-140DA		
AT-160DA	3.65	5.03
AT-190DA	5.9	7.9
AT-210DA	7.4	9.7
AT-240DA	10.7	14.3
AT-270DA	16.9	22.5
AT-300DA	23.8	29.7
AT-350DA	35.1	46.3
AT-400DA	52.6	56

耗气量取决于供气压力、开关行程、体积及动作次数，计算如下：

升/分+气缸体积 (开向体积+关向体积) [供气压力 (kpa+101.3) ÷ 101.3] × 次数/分钟

Air consumption rest with supply. Air volume and action cycle time, expressions:

L/Min=Air volume(Air volume opening+Air volume closing)[Air supply(kpa+101.3)÷ 101.3]×action cycle times(/min)

各种材料、工作温度范围及阀体泄漏量

Various materials, operating temperature range and valve body leakage

分类	代号	温度范围	适用范围	GB代号	备注
阀体材质	WCB	-29℃-425℃			碳钢
	CF8	-196℃-600℃		ZGoCr18Ni9	SUS304
	CF8M	-196℃-600℃		ZGoCr18Ni12Mo2T1	SUS316
	CF3M	-196℃-600℃		ZGooCr17Ni14Mo2	SUS316L
密封材质	PTFE	-29℃-203℃	各种腐蚀液体、卤素、油	聚四氟乙烯	
	RTFE	-29℃-203℃	各种腐蚀液体、卤素、油	增强聚四氟乙烯	
	EK	-29℃-250℃	各种腐蚀液体、卤素、油	POB	
	PEEK	-29℃-285℃	各种腐蚀液体、卤素、油	聚醚醚铜	
	TFM1600	-50℃-233℃	各种腐蚀液体、卤素、油	PTFE+PFA(可溶性四氟乙 烯)	
	Y1	-50℃-350℃	蒸汽、热油	硬质合金密, 球体渗氮	DN15-DN32
	Y2	-50℃-500℃	蒸汽、热油	硬质合金密, 球体镀铬 (Ni60)	“DN40以上不要选渗氮, 最好选直接选镀铬”
	NBR	-40℃-120℃	油、碱类	丁腈橡胶	
	EPDM	-20℃-180℃	热水、蒸汽、不耐油	乙丙橡胶	
	FKM	-30℃-220℃	耐腐蚀性流体但不耐蒸汽	氟橡胶	
	GRAFOIL	-200℃-500℃	除强氧化介质外的腐蚀性介质	纯石墨/缠绕	

注: 1. 密封材质温度范围在订购时请与我方销售人员再次核实。

Note:1. Please check the temperature range of the sealing material with our sales staff when ordering.

泄漏量等级/Leakage level

密封圈	纯聚四氟乙烯 (PTFE)	切断无泄漏
	增强聚四氟乙烯 (R. PTFE)	VI级、切断无泄漏
	PPL	VI级(微气泡级)、切断无泄漏

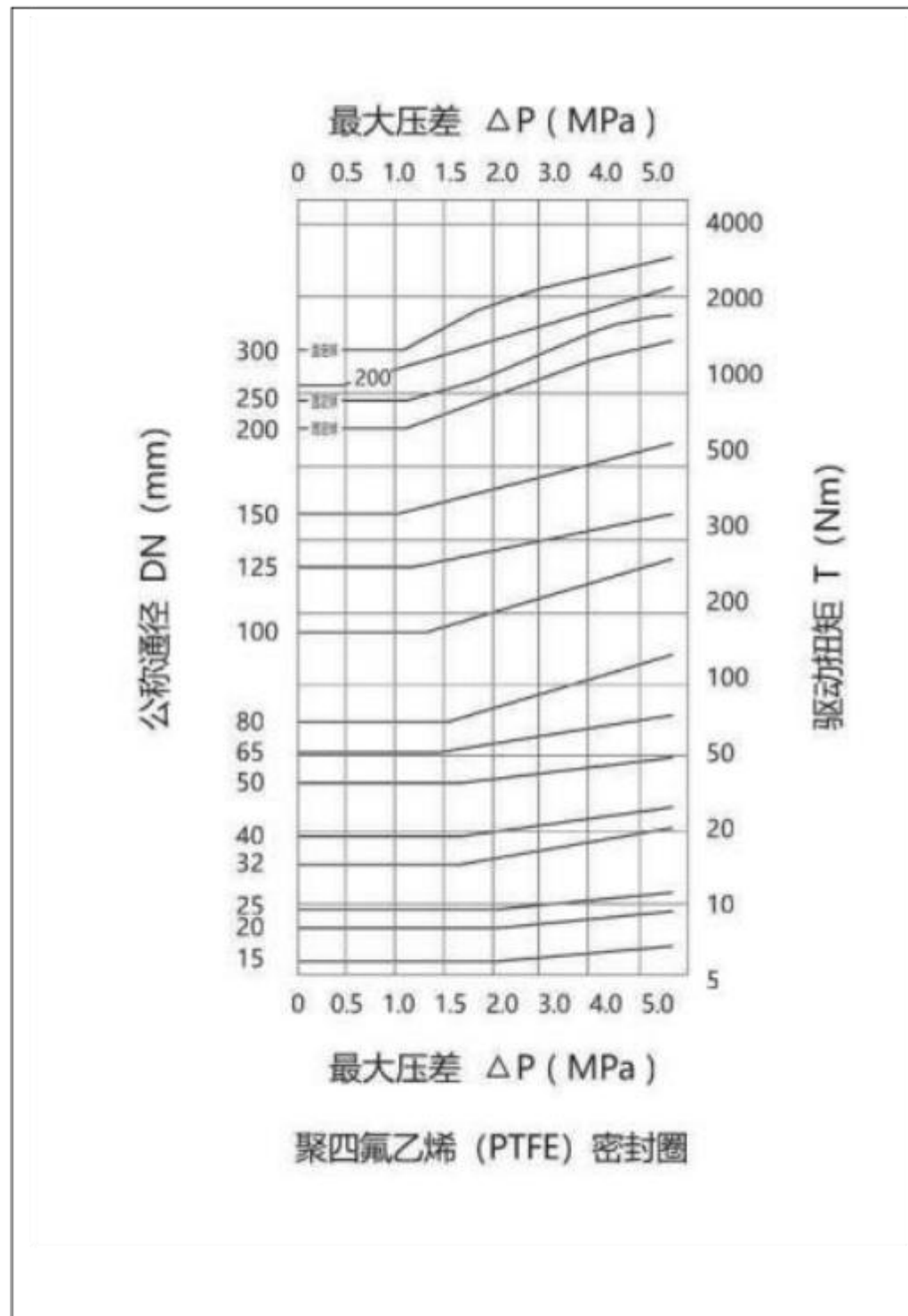
注: 1. 气泡数量详见GB/T4213-92

2. 表中数据为本公司标准配置, 可按用户要求另行选配。

Note:1. For the number of bubbles, see GB/T4213-92

2. The data in the table are the company's standard configuration, which can be selected according to user requirements.

阀门扭矩 Valve torque



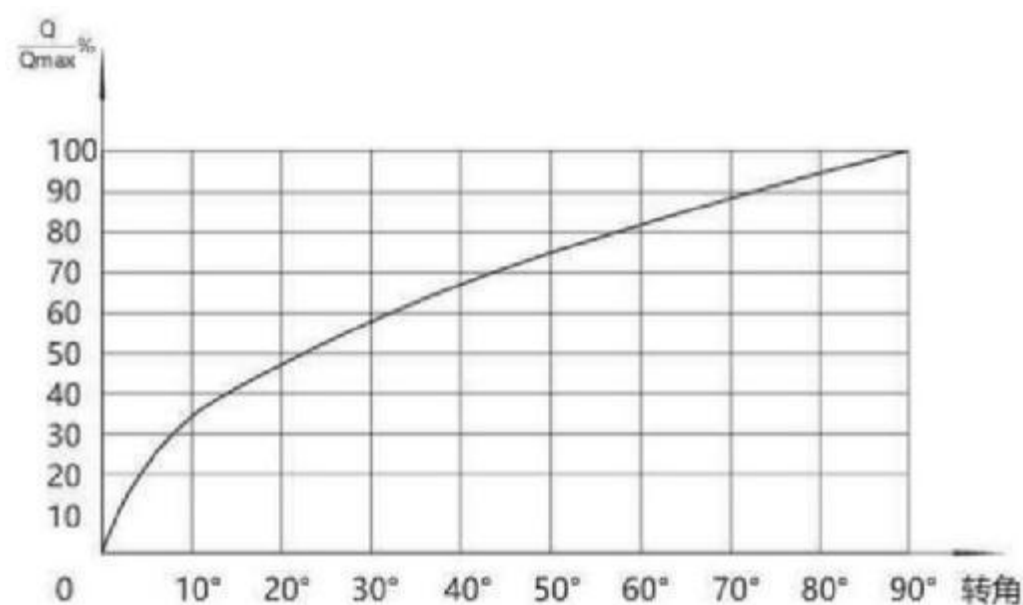
左图中扭矩供选择执行机构时参考，根据介质的特性、内件材料及阀门的工作频率尚需作修正。

- 表中数据介质以水为准；
- 清洁润滑介质，扭矩可降低20%；
- 苛刻的介质，如泥浆、半颗粒等，扭矩要增加15~30%；
- 特殊介质、如氧气等，据矩要增加20~35%；
- 密封圈使用耐高温材料（PPL），扭矩比使用PTFE 密封圈增加20—40%；
- 数值受公称压力、压力-温度图表限制。

The torque in the left picture is for reference when selecting the actuator. It needs to be modified according to the characteristics of the medium, the materials of the internal parts and the working frequency of the valve.

- The data medium in the table is based on water;
- Clean lubricating medium, torque can be reduced by 20%;
- For harsh media, such as mud, semi-particles, etc., the torque should be increased by 15 to 30%;
- Special media, such as oxygen, etc., will increase by 20~35% according to the moment;
- The sealing ring uses high temperature resistant material (PPL), and the torque is increased by 20~40% compared with the use of PTFE sealing ring;
- The value is limited by the nominal pressure and pressure-temperature chart.

流量特性曲线 Flow characteristic curve



快开流量特性各转角的相对流量数值

The relative flow value of each corner of the quick opening flow characteristic

转角(°)	0	10	20	30	40
Q/Q _{max} (%)	0	33.3	47.2	57.7	66.6

转角(°)	50	60	70	80	90
Q/Q _{max} (%)	74.5	81.6	88.2	94.2	100

法兰连接标准 Flange connection standard

- 连接方式：法兰式
- 法兰标准：PN10、PN16、PN25、PN40、PN64、JB/T86-2015
- 密封面形式：PN16、25 为突面 (RF);PN40、64 为凹凸面，阀体为凹面。

*阀门的连接法兰均可按照使用方提出的要求生产(除薄型球阀外)

如：HG、JB、ANSI、DIN、JIS 等标准。

· Connection method: flange type

· Flange standards: PN10, PN16, PN25, PN40, PN64, JB/T86-2015

· Sealing surface form: PN16 and 25 are raised surfaces (RF); PN40 and 64 are concave and convex surfaces, and the valve body is concave.

*The connecting flange of the valve can be produced according to the requirements of the user (except for the thin ball valve)

Such as: HG, JB, ANSI, DIN, JIS and other standards.

法兰类型	代号	国内外法兰互换相应标准 密封面类型：全平面FF, 突面RF, 凹面FM, 凸面M, 榫面T, 槽面G, 螺纹TH, 环连接面RJ
板式平焊	PL	国标GB/T9119-2000、机械部标准JB/T 86-2015、化工部标准HGJ45-91、HG20592-2019、HG5010-58突面
		HG5011-58榫槽、HG5012-58凹凸、电力部标准GD0506~0507、德标DIN2573、德标DIN2576
带颈平焊	So	国标GB/T9116-2000、化工部标准HGJ46~49-91 (46RF, 47MFM)、HG20594-97、
		美HG20616-97、石油部SH3406-96、美标ASME/ANSI B16.5
对焊	WN	国标GB/T9115-2000、机械部标准JB/T82-94、化工部标准HGJ50~53-91 (50RF, 51MFM, 53RJ)、
		HG5014~16-58 (14RF, 15TG, 16MFM)、HG20595-97、电力部标准GD0508~0509、
		德标DIN2628~2638-1975、美HG20617-97、石油部SH3406-96、美国标准ASME/ANSI B16.5
大直径对焊		美标ASME B16.47 B系列=AP1605-81 (HG20623)、ASME B16.47 A系列=MSS SP44
整体	IF	HG20596、美HG20618、JB/T79-94、GB/T9113-2000、德标DIN2543~2549-1977
承插	SW	HG20597、美HG20619、GB/T9117-2000、美国标准ASME/ANSI B16.5
螺纹	Th	HG20598、HG20620、GB/T9114-2000、美标ASME B16.5、JB/T2769-1992、德标DIN2566
压力容器		JB/T4700~4707-2000
对焊松套	PJ/SE	国标GB/T9120-2000、机械部标准JB84-94、化工部标准HG20599-2017、美标ASME/ANSI B16.5
平焊松套	PJ/RJ	HG20600、JB/T83-94、GB/T9121-2000
法兰盖	BL	国标GB/T9123-2000、机械部JB86-94、化工部HGJ61~65-91、HG20601-97美HG20622-97
		电力部标准GD0511~0517、美标ASME/ANSI B16.5
衬里法兰盖	BL (S)	HG20602
世界3种主要法兰：德标、美标、日标，3种各成一体，不能互换使用		
国际标准		ISO 7005是美标与德标的合集，可参照HG20592~20635-97，国内另需注意接管尺寸(A管与B管)
日标		JIS B2220-2004平焊、对焊、带颈平焊、法兰盖
压力等级区别(我国国标已收编德标与美标，具体参考压力等级)		
德标		0.25MPa、0.6MPa、1.0MPa、1.6MPa、2.5MPa、4.0MPa、6.4MPa、10.0MPa、16.0MPa、25.0MPa、32.0MPa、40.0MPa
美标		150LB (2.0MPa)、300LB (5.0MPa)、400LB (6.8MPa)、600LB (11.0MPa)、900LB (15.0MPa)、1500LB (26.0MPa)、2500LB (42.0MPa)
日标		5K、10K、16K、20K、30K

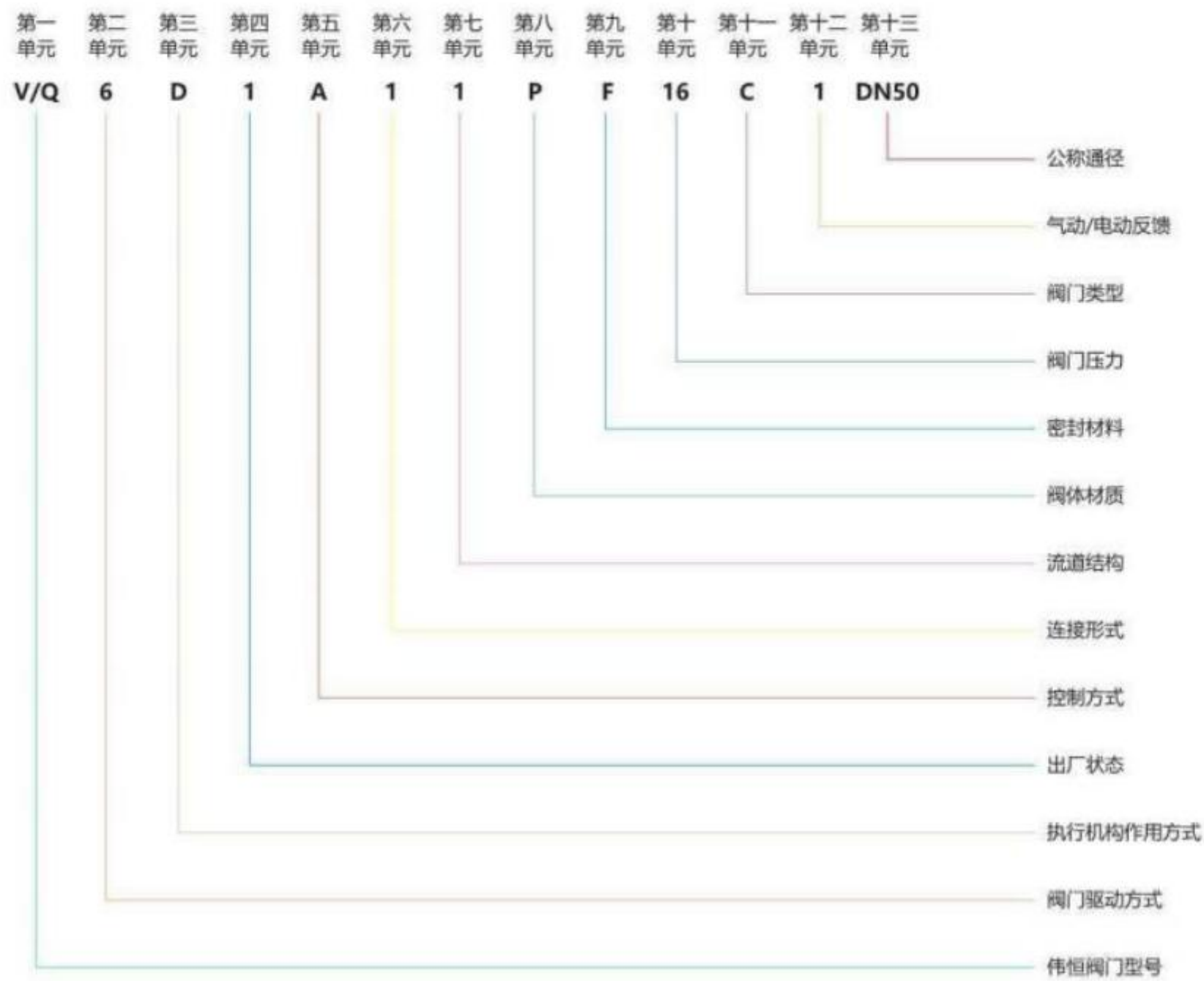
0 型球阀选型参考

0-type Ball Valve Selection

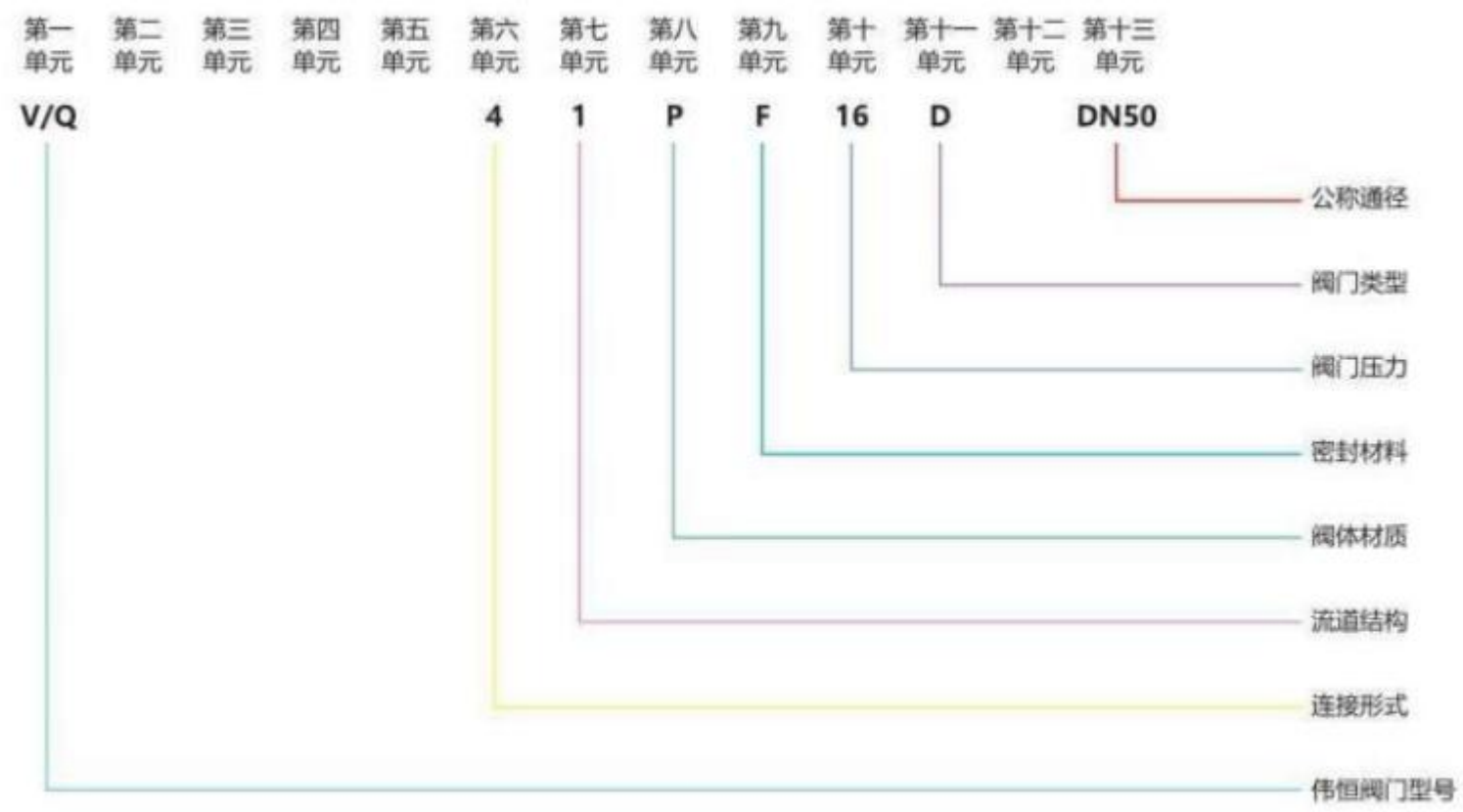
	执行机构		作用形式		出厂状态		控制方式		连接形式		流道结构	
	(二单元)		(三单元)		(四单元)		(五单元)		(六单元)		(七单元)	
0型切断球阀	1	手动		气动	1	常开	A	开关型	1	内螺纹	1	直通
V型调节球阀	6	气动	D	铝制横式双作用	2	常闭	B	调节型 (最好选用V球)	2	外螺纹	2	Y三通
	9	电动	S	铝制横式单作用			C	智能调节型 (最好选用V球)	2R	外圆螺纹	4	L三通
	3	蜗轮	DP	不锈钢横式双作用			D	其它	4	工业法兰	5	T三通
	7	液动	SP	不锈钢横式单作用					4S	卫生法兰		
	0	其它	SA	不锈钢立式单作用					6	焊接		
				电动					7	对夹		
			DC	直流24V					8	快装		
			AC1	交流110V					9	卡套		
			AC2	交流220V								
			AC3	交流380V								

阀体材质		密封材料		阀门压力		阀门类型		气动/电动反馈		公称通径
(八单元)		(九单元)		(十单元)		(十一单元)		(十二单元)		(十三单元)
C	WCB	F	国产PTFE	16	PN16	A	二片式球阀	1	ALS200	
P	CF8 (304)	F1	进口PTFE	25	PN25	B	薄型球阀(意式球阀)	2	ALSD300一体式 (电磁阀+阀位反馈)	
P1	CF3 (304L)	F2	PPL	40	PN40	C	三片式高平台球阀	3	ALSD400一体式 (电磁阀+阀位反馈) 隔爆CT6	
R	CF8M (316)	F3	RTFE	64	PN64	D	三片式不带平台球阀 (手动标准选用)	4	感应接近开光	
R1	CF3M (316L)	F4	EK (POB)			E	铸造乳品球阀	5	电动阀位反馈	
Ti	Ti	F5	PEEK			F	A型锻造球阀	6	电动阀位反馈	
		F6	TFM1600			G	B型锻造球阀			
		Y1	硬密封, 球体参氮, (只提供工业法兰球阀)			H	蝶型球阀		注: DC24V只提供无源反馈	
		Y2	硬密封, 球体镀硬铬 (只提供工业法兰球阀)			I	二片式三通球阀			
						J	方型三通球阀			
						K	B型锻造三通球阀			

带执行器阀门选型策略 Valve selection strategy with actuator



手动阀门选型策略 Manual valve selection strategy



材料特性推荐表

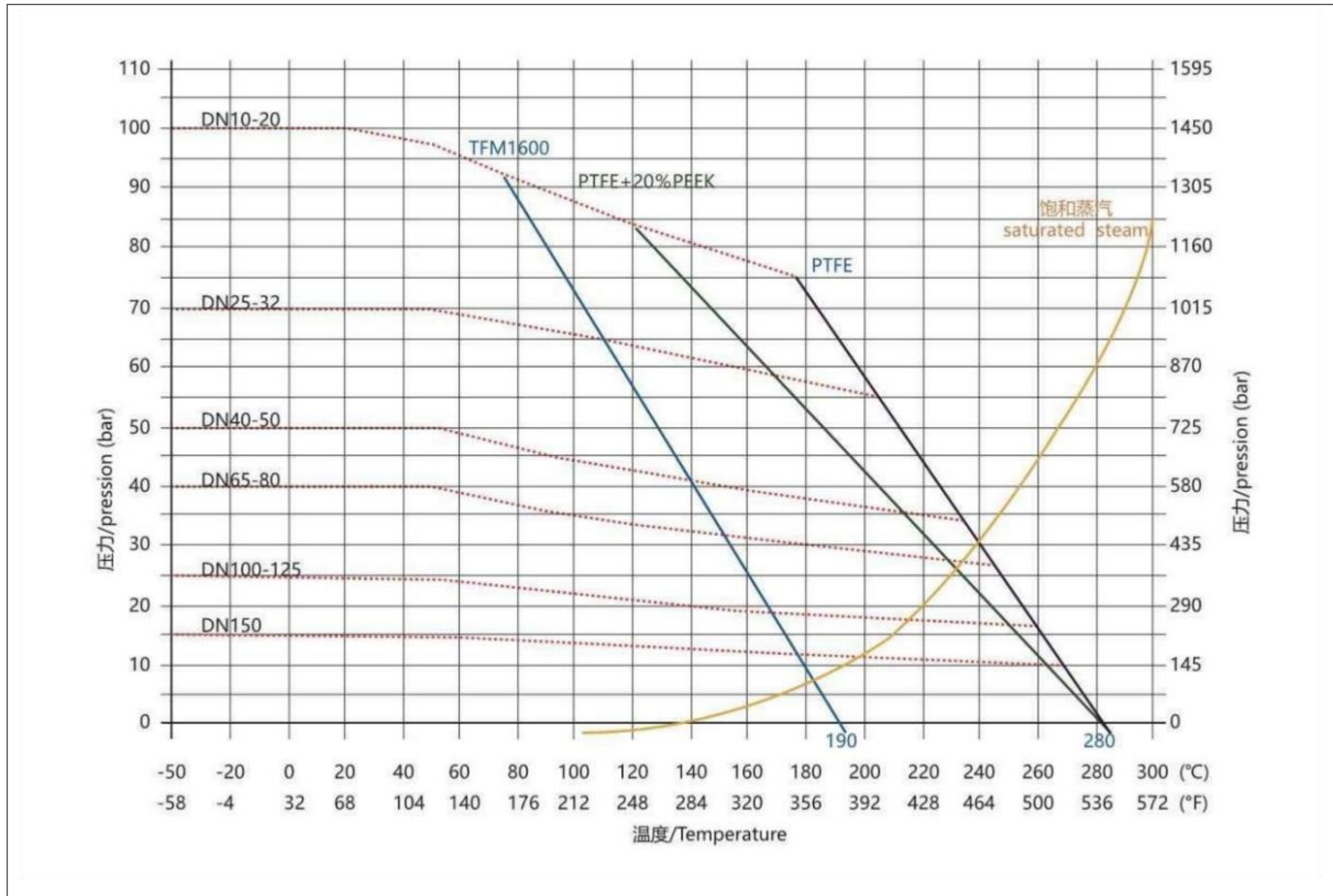
Material characteristics recommendation table

非常适用 适用 有限适用 不适用

密封材质	介质类型及适用程度													适用温度	特点
	淡水	海水	盐类	强碱	弱碱	强酸	弱酸	天然气	醇类	空气	蒸汽	油类	食品		
丁晴NBR	非常适用	非常适用	非常适用	适用	非常适用	不适用	适用	非常适用	有限适用	非常适用	不适用	非常适用	适用	-10~100℃	耐油
三元乙丙EPDM	非常适用	非常适用	非常适用	非常适用	非常适用	有限适用	非常适用	适用	适用	非常适用	非常适用	不适用	非常适用	-10~120℃	耐老化
天然橡胶NR	非常适用	非常适用	非常适用	非常适用	非常适用	有限适用	适用	不适用	有限适用	非常适用	不适用	不适用	不适用	-20~80℃	高弹性
氯丁橡胶CR	非常适用	非常适用	适用	非常适用	非常适用	不适用	有限适用	不适用	有限适用	非常适用	不适用	不适用	适用	-40~82℃	耐光、耐老化
硅橡胶SI	非常适用	非常适用	适用	不适用	适用	不适用	适用	非常适用	适用	非常适用	非常适用	有限适用	有限适用	-10~150℃	耐热
氟橡胶FPM	非常适用	非常适用	非常适用	有限适用	非常适用	有限适用	非常适用	非常适用	有限适用	非常适用	非常适用	非常适用	非常适用	-10~200℃	耐热、耐腐蚀
聚四氟乙烯PTFE	非常适用	非常适用	非常适用	非常适用	非常适用	非常适用	非常适用	非常适用	非常适用	非常适用	非常适用	非常适用	非常适用	-10~150℃	耐热、耐强腐蚀
阀芯	球铁镀镍A395+Ni	适用	不适用	有限适用	不适用	有限适用	不适用	有限适用	适用	适用	非常适用	非常适用	有限适用	-30~350℃	耐高温
	球铁尼龙覆层A395+Nylon	非常适用	非常适用	非常适用	非常适用	非常适用	不适用	非常适用	有限适用	非常适用	不适用	非常适用	非常适用	-30~95℃	抗蚀、耐磨减摩
	四氟覆层F46	非常适用	非常适用	适用	非常适用	适用	非常适用	非常适用	非常适用	非常适用	非常适用	非常适用	非常适用	-30~160℃	耐强腐蚀耐热
	铝青铜B148	适用	有限适用	不适用	有限适用	不适用	适用	非常适用	非常适用	非常适用	非常适用	非常适用	非常适用	-273~232℃	耐热耐腐蚀
	不锈钢	适用	有限适用	有限适用	适用	有限适用	非常适用	非常适用	非常适用	非常适用	非常适用	非常适用	非常适用	-268~538℃	耐高温耐腐蚀
	碳钢镀镍WCB+Ni	适用	不适用	有限适用	不适用	有限适用	有限适用	有限适用	适用	适用	非常适用	非常适用	非常适用	-29~425℃	耐高温

● 流量大于1.5M/S 不适用
Not applicable if the flow is greater than 1.5M/S

压力/温度图 Pressure/Temperature diagrams



----- 阀体的机械强度
 阀座的机械强度

----- mechanical strength of body
 mechanical strength of seats

-10°C = 标准碳钢球阀的使用温度限值
 (10619 / A216 WCB)

-10°C = limit the use of standard carbon steel valves
 (10619 / A216 WCB)

-46°C = 低温碳钢球阀的使用温度限值
 (10566 / A352-LC2-1)

-46°C = limit the use of low temperature carbon steel valves
 (10566 / A352-LC2-1)

所以数值均基于通径尺寸

All values are give for full bore size.

双作用气缸/单作用气缸对应阀门选型表

Double-acting cylinder/single-acting cylinder corresponding valve selection table

阀门系列	铝合金横式双作用气缸/单作用气缸			不锈钢横式双作用气缸/单作用气缸	
	规格	双作用选型缸径	单作用选型缸径	双作用选型缸径	单作用选型缸径
PTFE牙口球阀 (PN1.6)	DN15(1/2")	φ32D	φ52S	φ45D	φ60S
	DN20(3/4")	φ40D	φ52S	φ45D	φ60S
	DN25(1")	φ52D	φ63S	φ60D	φ60S
	DN32(1-1/4")	φ52D	φ75S	φ60D	φ85S
	DN40(1-1/2")	φ63D	φ83S	φ60D	φ85S
	DN50(2")	φ92D	φ85S	φ105D	
	DN65(2-1/2")	φ92D	φ105S	φ105D	φ105S
	DN80(3")	φ105D	φ125S	φ105D	φ125S
PTFE阀座法兰球阀 (PN1.6)	DN15(1/2")	φ52D	φ52S	φ45D	φ60S
	DN20(3/4")	φ52D	φ63S	φ45D	φ60S
	DN25(1")	φ52D	φ75S	φ60D	φ85S
	DN32(1-1/4")	φ63D	φ83S	φ60D	φ85S
	DN40(1-1/2")	φ75D	φ92S	φ85D	φ105S
	DN50(2")	φ83D	φ105S	φ85D	φ105S
	DN65(2-1/2")	φ92D	φ125S	φ105D	φ125S
	DN80(3")	φ105D	φ140S	φ105D	φ140S
	DN100(4")	φ125D	φ140S	φ125D	φ140S
	DN125(5")	φ140D	φ160S	φ140D	φ160S
	DN150(6")	φ160D	φ210S	φ160D	φ210S
	DN200(8")	φ210D	φ270S	φ210D	φ210S

注：以上配置根据气源5.5bar选配型号，管道压力6bar选配型号。

The above configuration is based on the optional model of air source 5.5bar, and the optional model of pipeline pressure of 6bar.

注: 以下配置根据气源5.5bar选配型号, 管道压力6bar 选配型号。

The above configuration is based on the optional model of air source 5.5bar, and the optional model of pipeline pressure of 6bar.

双作用/单作用气缸对应硬密封阀门选型表

Selection table of double-acting/single-acting cylinders corresponding to hard seal valves

规格	对夹硬密封蝶阀		法兰硬密封蝶阀		硬密封球阀		V型球阀	
	双作用	单作用	双作用	单作用	双作用	单作用	双作用	单作用
DN15					φ75D	φ75S		
DN20					φ75D	φ75S		
DN25					φ75D	φ75S	φ63D	φ75S
DN32					φ75D	φ83S	φ75D	φ75S
DN40	φ75D	φ75S	φ75D	φ75S	φ83D	φ105S	φ75D	φ83S
DN50	φ75D	φ75S	φ75D	φ83S	φ105D	φ125S	φ83D	φ92S
DN65	φ75D	φ75S	φ83D	φ92S	φ125D	φ125S	φ92D	φ105S
DN80	φ75D	φ83S	φ92D	φ105S	φ125D	φ140S	φ105D	φ125S
DN100	φ83D	φ105S	φ105D	φ125S	φ140D	φ160S	φ125D	φ140S
DN125	φ105D	φ125S	φ125D	φ140S	φ160D	φ190S	φ140D	φ160S
DN150	φ125D	φ140S	φ140D	φ160S	φ190D	φ240S	φ160D	φ190S
DN200	φ140D	φ160S	φ160D	φ190S	φ240D	φ270S	φ190D	φ210S
DN250	φ160D	φ190S	φ190D	φ210S	φ270D	φ300S	φ210D	φ240S
DN300	φ190D	φ210S	φ210D	φ240S	φ300D		φ240D	φ270S
DN350	φ210D	φ240S	φ240D	φ270S				
DN400	φ240D	φ270S	φ270D	φ300S				

电动标准执行器对应阀门选型表

Electric standard actuator corresponding valve selection table

产品名称	规格型号	适配阀门(1.6MPa软密封)		
		卫生蝶阀	三片式球阀	法兰球阀
电动执行器	ZY0X-003	DN15-DN50	DN15-DN25	DN15-DN20
电动执行器	ZY0X-005	DN65-DN80	DN32-DN40	DN25-DN32
电动执行器	ZY0X-008	DN100	DN50	DN40
电动执行器	ZY0X-010	DN125-DN150	DN65	DN50
电动执行器	ZY0X-015			DN65
电动执行器	ZY0X-020	DN200	DN80	DN80
电动执行器	ZY0X-030		DN100	DN100
电动执行器	ZY0X-040			DN125
电动执行器	ZY0X-080			DN150
电动执行器	ZY0X-160			DN200

AC380V、AC220V、DC24V、开关型、调节型、防水等级IP67

AC380V, AC220V, DC24V, switch type, adjustable type, waterproof grade IP67

电动防爆执行器对应阀门选型表

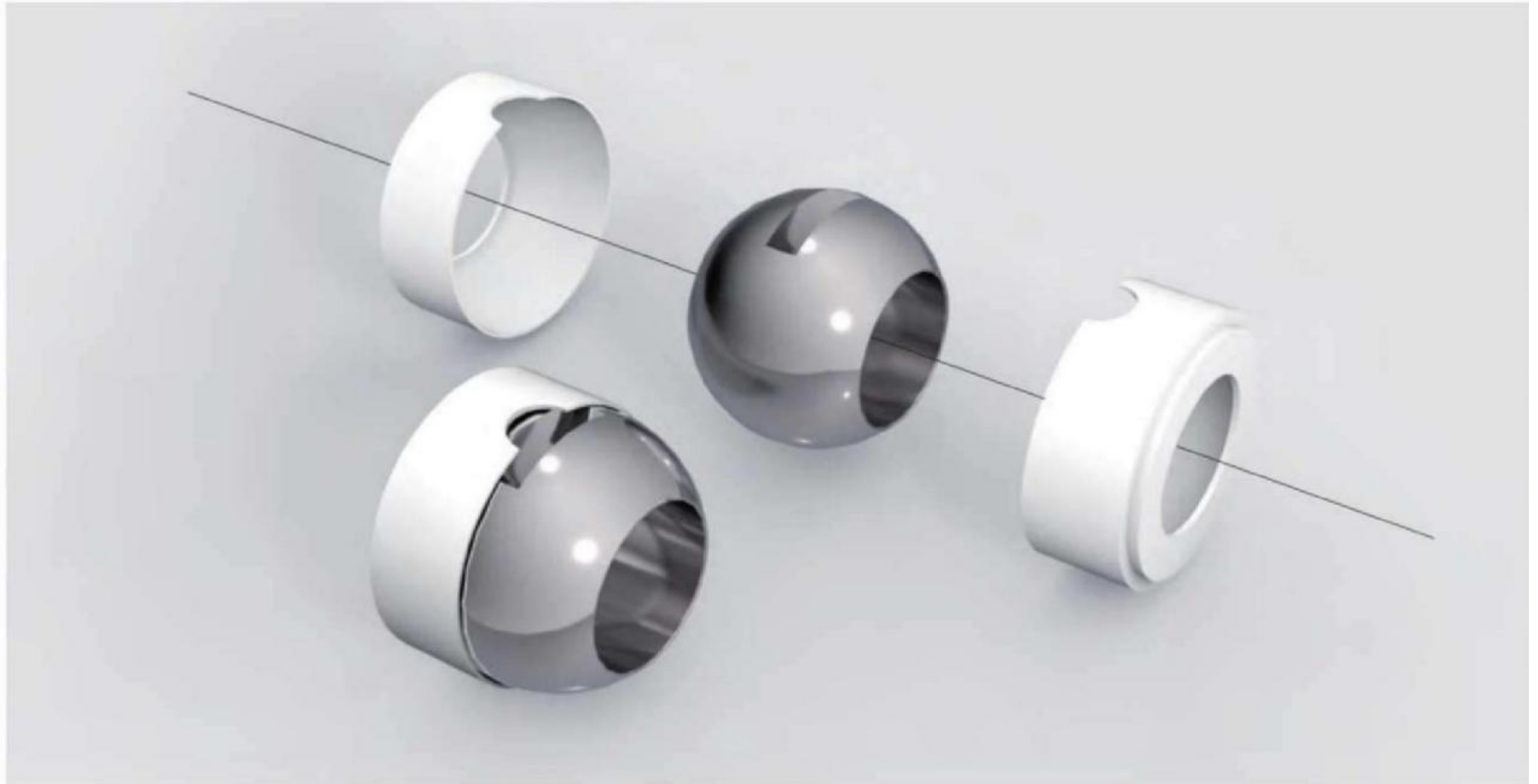
Electric explosion-proof actuator corresponding valve selection table

产品名称	规格型号	适配阀门(1.6MPa软密封)		
		卫生蝶阀	三片式球阀	法兰球阀
防爆电动执行器	ZYCHQ-005	DN15-DN80	DN15-DN40	DN15-DN32
防爆电动执行器	ZYCHQ-008	DN100	DN50	DN40
防爆电动执行器	ZYCHQ-010	DN125		DN50
防爆电动执行器	ZYCHQ-015	DN150	DN65	DN65
防爆电动执行器	ZYCHQ-020	DN200	DN80	DN80
防爆电动执行器	ZYCHQ-030		DN100	DN100
防爆电动执行器	ZYCHQ-050			DN125
防爆电动执行器	ZYCHQ-080			DN150
防爆电动执行器	ZYCHQ-120			DN200

AC380V、AC220V、DC24V、开关型、调节型、开关防调节型、防爆型防护等级Exib II CT5、防水等级IP67

AC380V, AC220V, DC24V, switch type, adjustable type, switch anti-adjustment type, explosion-proof type, protection class Exib II CT5, waterproof class IP67

球阀全包示意图
Full Package Schematic Diagram of Ball Valve



球阀半包示意图
Schematic Diagram of Ball Valve Half Package





卫生级直通球阀

Sanitary Straight Ball Valve

应用 Applications

该类型球阀系列是一款卫生型的用于物料传送控制的一类阀门系列。广泛应用于食品、饮料加工，以及制药和化学工业领域。

The series ball valves are used to transfer controlling the material, Which extensively use to food, beverage processing and pharmacy, chemical industry areas.

标准设计 Standard Design

有各标准的阀门系列可以向客户提供，即用于DIN 标准系列，3A 标准系列，SMS标准系列，ISO/IDF 标准系列，BS/RJT标准系列，ASME/BPE 等 标准系列。

球阀的组成部件一般包括：一个手柄、一个带有贯通腔的球体、阀体、阀门轴芯以及轴密封圈。

现有的球阀系列规格有：焊接式球阀、卡箍式球阀、螺纹式球阀等系列球阀。

Have different standard of valve series can supply for customers, they are the DIN standard series, 3A standard series, SMS standard series, ISO/IDF standard series, BS/RJT standard series, ASME/BPE etc. The constitute elements of ball valve always included: one handle, one ball body with transfixion cavity, valve body, valve central spindle and spindle shaft seal.

The specification of ball valve series are welded ball valve, clamped ball valve, threaded ball valve etc.

材料 Material

钢制部件: SUS304, SUS316L

密封件: PTFE, PPL

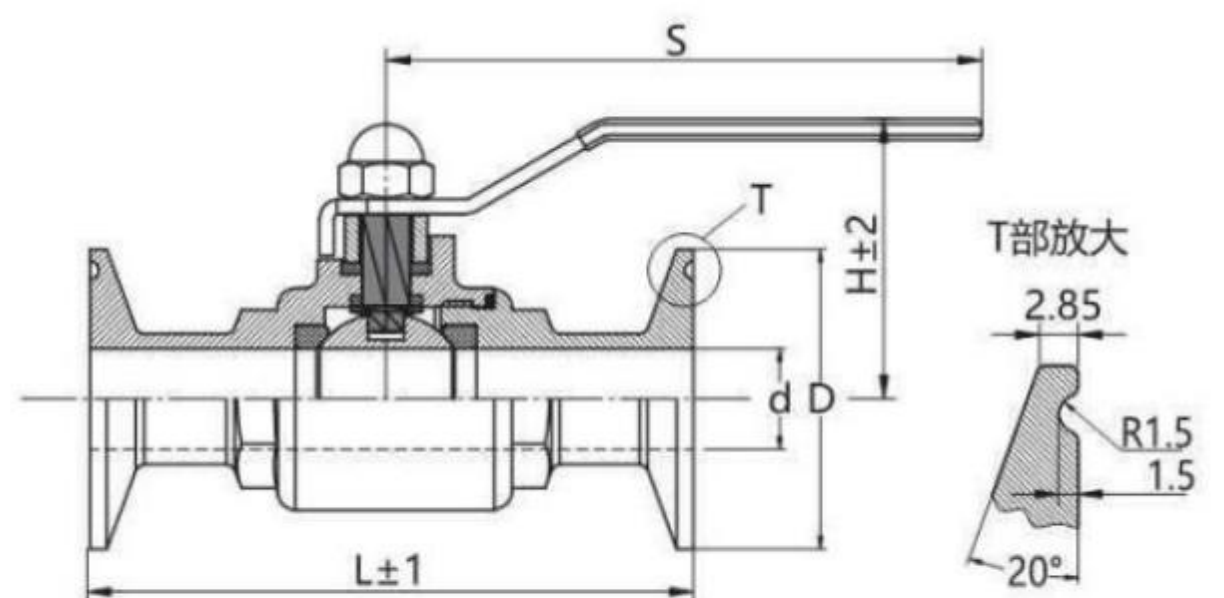
Steel parts: SUS304, SUS316

Sea: PTFE, PPL

连接方式 Connection

法兰、焊接、快装、内/外螺纹

Flanges, welded, quick-install, internal/external threads



Size	d	D	L	H	S
1/2"	10	25.2	75	41	99
3/4"	17	50.5	100	47	124
1"	22	50.5	120	62	137
1 1/4"	28	50.5	130	66	137
1 1/2"	35	50.5	140	76	150
1 3/4"	42	64	150	84	150
2"	47.5	64	164	91	177
2 1/4"	53	77.5	164	93	192
2 1/2"	60	77.5	190	97	192
3"	72	91	215	106	260
3 1/2"	80	106	225	125	260
4"	100	119	260	164	316
5"	125	145	290	210	350

卫生级气动球阀 Sanitary Pneumatic Ball Valves

应用 Applications

卫生级气动球阀，是一款拥有执行器来带动阀杆旋转球体来控制开启和关闭的，可以远距离控制，且方便安装使用，主要是控制载流和疏通管道中的介质，其流道内光滑无缝，能够满足食品，生物制药领域的各种介质的特殊要求。

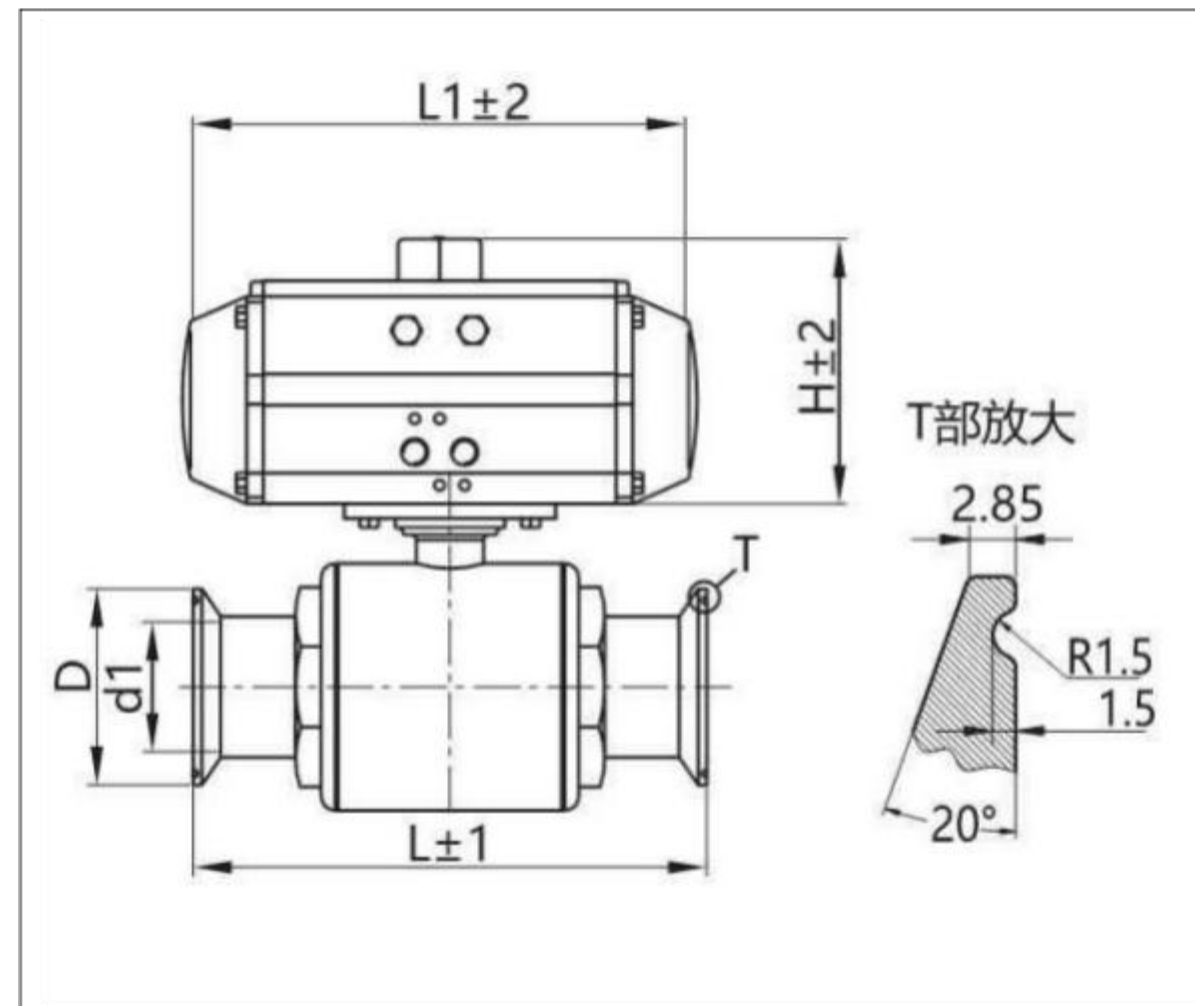
Sanitary grade pneumatic ball valve is a type of valve that has an actuator to drive the valve stem to rotate and control the opening and closing of the ball. It can be remotely controlled and is easy to install and use. It is mainly used to control the flow carrying capacity and unclog the step in the pipeline. Its flow channel is smooth and seamless, which can meet the special requirements of various stages in the food, biopharmaceutical fields.

连接方式 Connection

法兰、焊接、快装、内/外螺纹



Size	d	D	L	气缸型号 Cylinder model
1/2"	10	25.2	75	AT40
3/4"	17	50.5	100	AT52
1"	22	50.5	120	AT63
1 1/4"	28	50.5	130	AT63
1 1/2"	35	50.5	140	AT75
1 3/4"	42	64	150	AT75
2"	47.5	64	164	AT83
2 1/4"	53	77.5	164	AT83
2 1/2"	60	77.5	190	AT92
3"	67	91	215	AT105
3 1/2"	86	106	225	AT105
4"	100	119	260	AT125
5"	125	145	290	AT140





卫生级三通球阀 Sanitary Three Way Ball Valve

原理以应用 Working Principle And Application

三通球阀流向分T型和L型, 通过360° 旋转T型能使三条正交的管道相互联通或切断任意一条管道的流向, 起分流、合流作用, L型三通球阀只能连接相互正交的两条管道, 不能保持第三条管道的同时连通, 只能起到分配作用。三通球阀主要用来做切断、分配和改变介质的流动方向。

The three-way ball valve is divided into T-type and L-type. The 360-degree rotating T-type can make three orthogonal pipes communicate with each other or cut off the flow direction of any one of the pipes, and can split and merge. The L-type three-way ball valve can only be connected with each other. The two pipes handed in can not maintain the simultaneous connection of the third pipe, and can only play a role in distribution. The three-way ball valve is mainly used to cut, distribute and change the flow direction of the medium.



材料 Material

钢制部件: SUS304, SUS316L

密封件: PTFE, PPL

Steel parts: SUS304, SUS316L

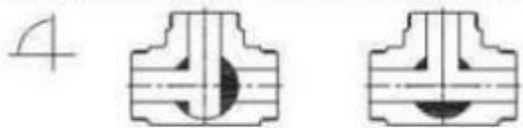
Seal: PTFE, PPL

T型通口

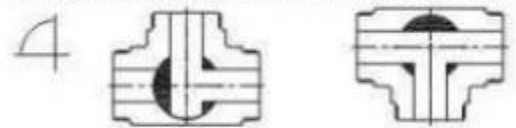
T type gateway

A向入口 (A inlet)

90°旋转方向 (90 rotation direction)



90°旋转方向 (90 rotation direction)



L型通口

L type gateway

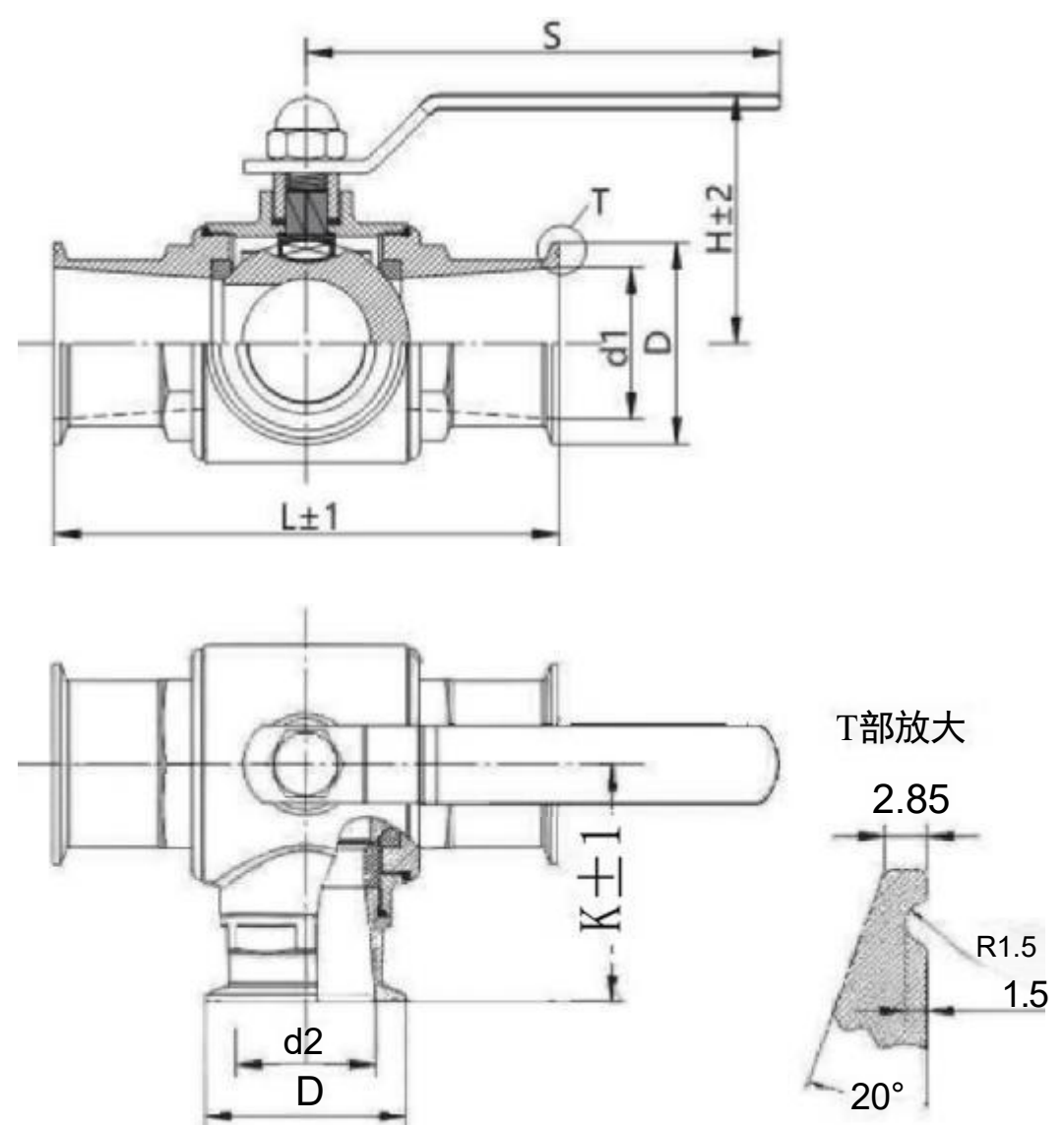
A向入口 (A inlet)

90°旋转方向 (90 rotation direction)



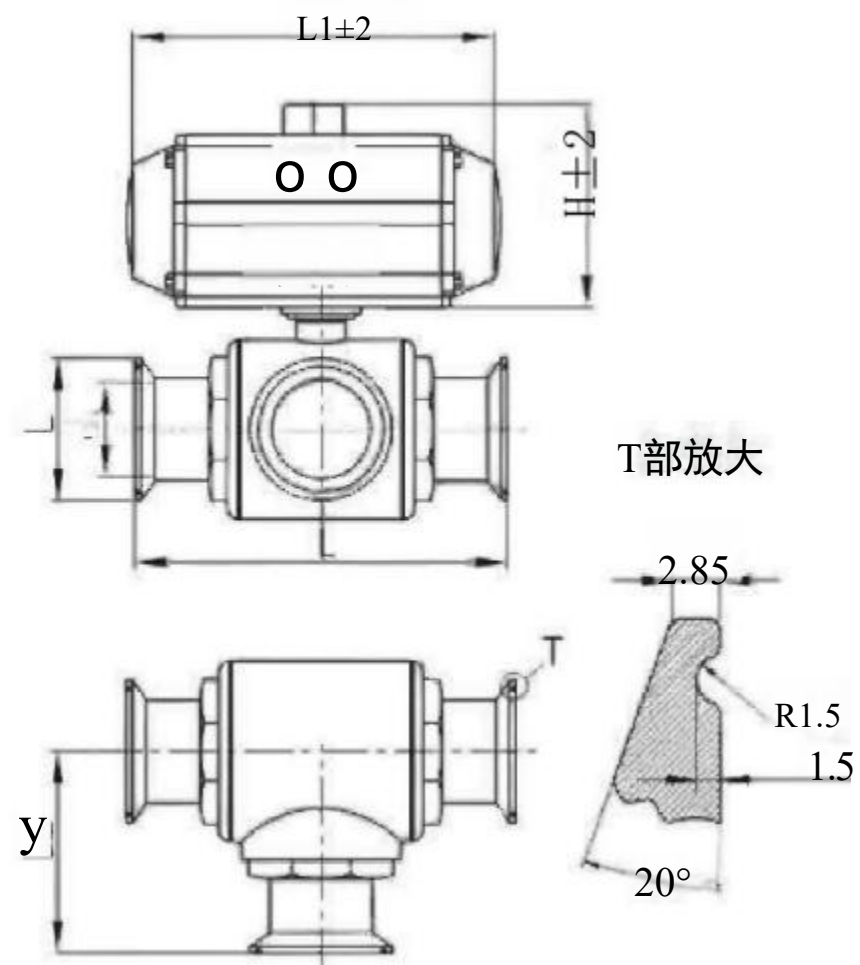
B向, C向切换入口 (B, C switch inlets)

90°旋转方向 (90 rotation direction)



Size	d1	d2	D	L	K	H	S
3/4"	17	17	50.5	105	50.5	56	123
1"	22	22	50.5	120	60	62	136.5
1 1/4"	29	29	50.5	130	66	74	136.5
1 1/2"	35	35	50.5	156	74	75	150
2"	47.5	42	64	168	84	88	178
2 1/4"	53	52	77.5	195	92	96	192
2 1/2"	59	67	77.5	195	92	109	192
3"	72	66	91	215	111	112	260
3 1/2"	80	80	106	230	116	129	260
4"	100	94	119	260	135	164	322

卫生级气动三通球阀 Sanitary Pneumatic Three Way Ball Valve



技术参数 Technical Parameters			
金属材质 Metal material	与产品接触的零部件 Contact with the product components	CF8/CF3M (304/316L) 铸造/锻造 CF8/CF3M (304/316L) Casting/Forging	可提供材质检测报告单 Can provide material inspection report
	不与产品接触的零部件 Material No contact with the product components	304 (1.4301)	
密封材质 Sealing material	标配 Standard	国产优质聚四氟乙烯 PTFE	符合 FDA177.2600/3A/USP 食品、饮用水、微生物的基本要求。 In accordance with FDA177.2600/3A/USP for Food, drinking water and microorganisms and other health requirements
	选配 Option	进口大金/3M	
压力 Pressure	工作压力 Working pressure	0~16bar	
	控制气源压力 Control air pressure	3~8bar	
温度 Temperature	连续工作温度 Continual working temperature	PTFE: (-20~+130℃) 大金 M111: (-25~+150℃)	
	灭菌温度 Sterilization temperature	150℃ (Max 20min)	
表面处理 Surface treatment	内表面处理 Inside surface treatment	Ra ≥ 0.4-0.8 μm	
	外表面处理 Surface treatment	Ra ≥ 0.8-1.6 μm	
连接方式 Connection	焊接端管径 The diameter welding	焊接接口: DIN 11850-2 与 11850-1/SMS/3A/ISO 等系列 Welding connection: DIN 11850-2 with 11850-1/SMS/3A/ISO Series etc	
	连接方式: 焊接、快装、外螺纹、内螺纹、法兰等 Connection mode: welding, clamp, male and female, flange, etc		
气动控制 Pneumatic control	气动头及固定支架 Pneumatic head and fixed bracket		

Size	d1	d2	D	L	K	气缸型号 Cylinder model
3/4"	18	18	50.5	105	50.5	AT52
1"	22	22	50.5	120	60	AT63
1 1/4"	29	29	50.5	130	66	AT63
1 1/2"	35	35	50.5	156	74	AT75
2"	47.5	42	64	168	84	AT83
2 1/2"	58.5	54	77.5	195	92	AT92
2 3/4"	67	67	91	210	111	AT92
3"	72	67	91	215	116	AT105
3 1/2"	80	80	106	230	116	AT125
4"	100	94	119	260	135	AT140

卫生级锻件球阀 Sanitary Forging Ball Valves

技术参数 Technical Parameters

采用进口密封材料, 所有密封材质均符合FDA 177.2600

工作温度: $-20\sim+135^{\circ}\text{C}$ (EPDM/PTFE)

灭菌温度: 150°C (max. 20min)

工作压力: 1.0MPa (16bar)

介质: 水、饮料、乳品、药剂等

连接方式: 3A/DIN/SMS/ISO (焊接.快装.螺纹.法兰)

All seal material meet FDA177.2600

working temperature: $-20\sim+135^{\circ}\text{C}$ (EPDM/PTFE)

Sterilization temperature: 150°C (max.20min)

Working pressure:1.0MPa(16bar)

Medium:Water,drink,Milk,pharmacy etc

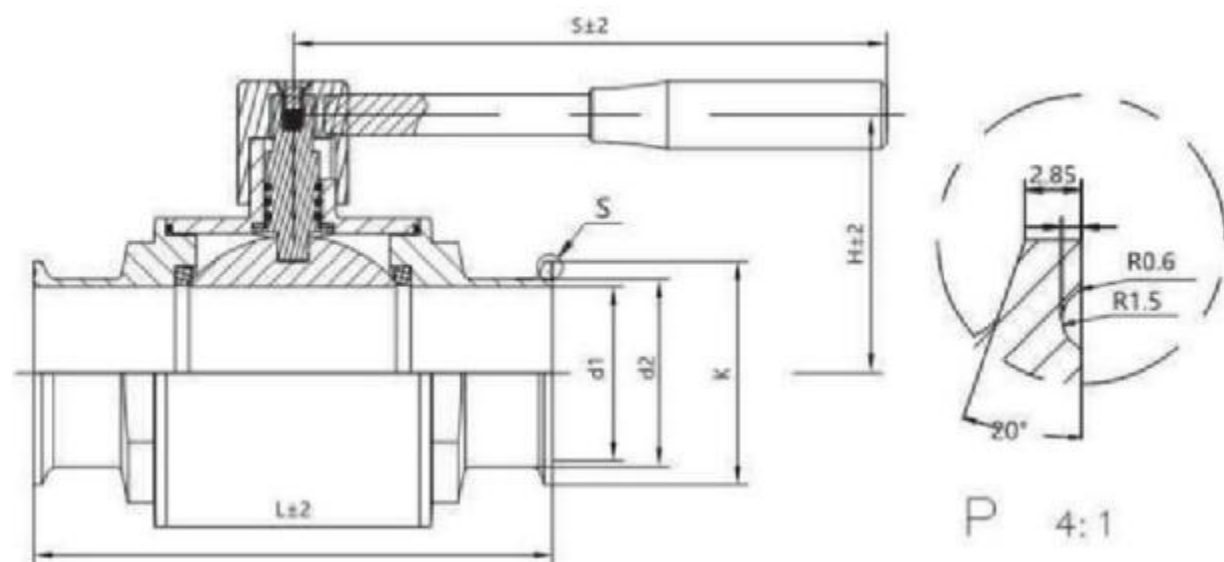
connection

method:3A/DIN/SMS/ISO(welding,clamp,thread, flange)

连接方式 Connection

法兰、焊接、快装、内/外螺纹

Flanges, welded, quick-install, internal/external threads



(ISO、IDF、SMS、3A、DS)

Size	d1	d2	K	H	L	S
1/2"	9.5	12.7	25.2	40	95	95
3/4"	15.9	19.1	50.5	40	108	145
1"	22.4	25.4	50.5	48	120	155
1 1/4"	28	31.8	50.5	52	130	155
1 1/2"	34.9	38.1	50.5	60	140	155
2"	47.6	50.8	64	68	160	165
2 1/2"	59.5	63.5	77.5	80	180	175
3"	72.2	76.2	91	86	210	190
3 1/2"	85	89	106	94	225	190
4"	97.6	101.6	119	115	255	245



卫生级锻件三通球阀

Sanitary Forging Three-Way Ball Valve

应用 Application

该类型球阀系列是一款卫生型的用于物料传送控制的一类阀门系列。广泛应用于食品、饮料加工，以及制药和化学工业领域。

The series ball valves are used to material transfer controlling, which are extensively used to food, beverage processing and pharmacy, chemical industry areas.

工作原理 Working Principle

通过360°旋转手柄，从而360°带动有贯通腔的精确制造的球体，以开启或关闭阀门，达到控制介质流量。

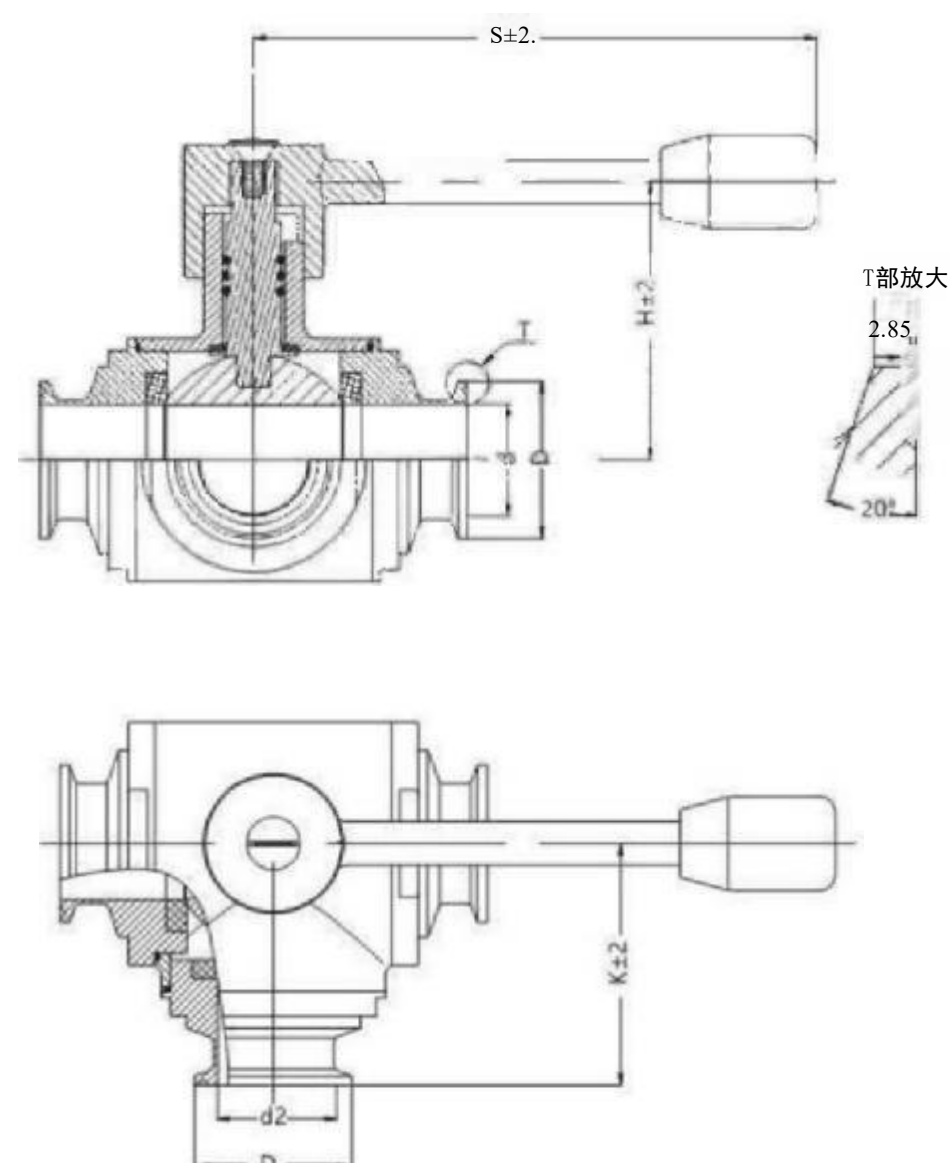
Through 360° rotary handle, drive the ball body which have transfixion cavity and precise manufacture, to open or close the valve, reaching control the flow rate of medium.

连接方式 Connection

法兰、焊接、快装、内/外螺纹
Flanges, welded, quick-install, internal/external threads

(3A、SMS、ISO、IDF、BS)

Size	d1	d2	D	L	K	H	S
3/4"	17	17	50.5	105	63	44	126
1"	22	22	50.5	120	68	53	136
1 1/4"	29	29	50.5	130	71	54	138
1 1/2"	35	35	50.5	155	80	65	156
2"	47.5	42	64	168	90	72.5	170
2 1/2"	59	54	77.5	195	102	86	194
3"	72	67	91	215	118	99	220
4"	100	94	119	260	142	123.5	264



锂电洁净阀门 Special Valve For Lithium Battery

应用 Applications

该球阀根据工艺管道设计除油脱脂、无残留，适用于锂电池行业

The ball valve is designed according to the process piping to remove oil and degreas,without residue,and is suitable for the lithium battery industry

技术特点 Application

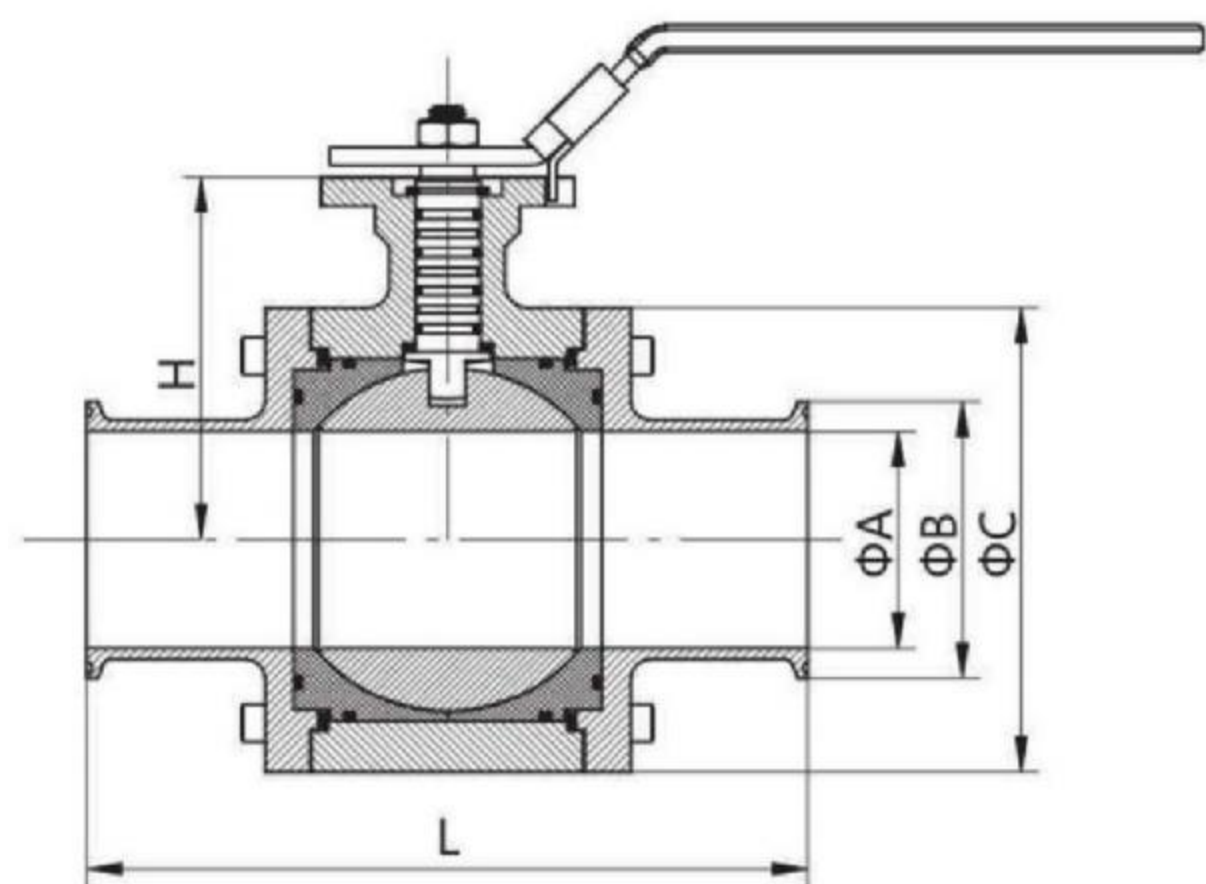
无滞留高洁净，扭矩小寿命长特点，正常开关次数达20万次上，耐高温180℃，压力30bar，拆洗方便。无抛光处理，全锻制生产。

No retention of high-clean,long life characteristics of small torque,the number of normal switching up to 20 million times,high temperature 180℃, pressure 30bar,Easy dismantling and cleaning.No polishing treatment,all forging production.

连接方式 Connection

法兰、焊接、快装、内/外螺纹

Flanges,welded,quick-install,internal/external threads



Size	A	B	C	L	H
1/2"	9.7	50.5	56	90	59
3/4"	16	50.5	62	90	61
1"	22.4	50.5	70	115	66
1 1/2"	35.1	50.5	92	142	80
2"	47.8	64	108	156	91
2 1/2"	59.5	77.5	130	197	103
3"	72.2	91	158	220	114
DN80	81	106	158	230	123
4"	97.6	119	192	240	135
5"	125	145	230	260	160

锂电自控洁净阀门 Lithium Battery Self-Controlled Clean Valve

技术参数 Technique Parameter

可提供EN 102043.1B证书。

采用进口密封材料，所有密封材质均符合FDA177.2600

工作温度：-20~+180°C(EPDM/PTFE)

灭菌温度：150°C(max.20min)

工作压力：1.0MPa(16bar)

连接方式：3A/DIN/SMS/ISO(焊接.快装.螺纹.法兰)

Provide EvN 102043.1B certificate

All seal material meet FDA177.2600

working temperature:-20~+180°C(EPDM/PTFE)

Sterilization temperature:150°C(max.20min)

Working pressure:1.0MPa(16bar)

connection method:3A/DIN/SMS/ISO(welding,clamp,thread,flange)

适用于锂电池行业

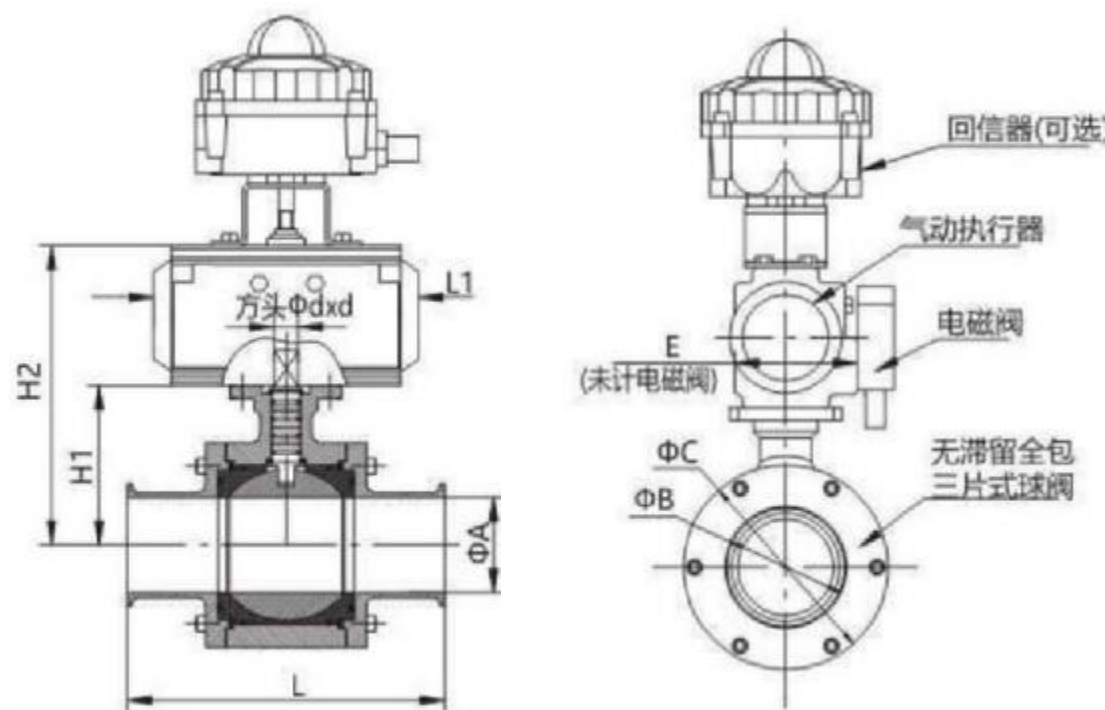
Applicable to lithium battery industry



连接方式 Connection

法兰、焊接、快装、内/外螺纹

Flanges,welded,quick-install,internal/external threads



Size	A	B	C	d	L	H1	H2	E	L1	气缸型号 Cylinder model
1/2"	9.7	50.5	56	9	90	59	120	65	122	AT40
3/4"	16	50.5	62	9	90	61	134	72	146	AT52
1"	22.4	50.5	70	9	115	66	155	85	170	AT63
1 1/2"	35.1	50.5	92	11	142	80	180	96	188	AT75
2"	47.8	64	108	11	156	91	201	134	211	AT83
2 1/2"	59.5	77.5	130	14	197	103	211	118	265	AT92
3"	72.2	91	158	17	220	114	249	120	274	AT105
DN80	81	106	158	17	230	123	279	140	302	AT125
4"	97.6	119	192	17	240	135	309	154	400	AT140
5"	125	145	230	22	260	160	357	175	460	AT160

卫生级锻件三通球阀 Sanitary Forging Three-Way Ball Valve

应用 Applications

三通球阀在管路中主要用来做堵截, 分配和改变介质的活动方向. 球阀是近年来被广泛采用的一种新型阀门, 广泛合用于食品与饮料、制药、石油、化工、生物加工等工况.

Three-way ball valve in the pipe is mainly used to make the interception, distribution, and media activities to change the direction of. Ball valve is widely used in recent years, a new type of valve. Broad cooperation for food and beverage, pharmaceutical, petroleum, chemical, bio-processing conditions.



技术参数 Technique Parameter

可提供EN 102043.1B证书。

采用进口密封材料, 所有密封材质均符合FDA 177.2600

工作温度: -20~+135°C (EPDM/PTFE)

灭菌温度: 150°C(max.20min)

工作压力: 1.0MPa(16bar)

介质: 水、饮料、乳品、药剂等

连接方式: 3A/DIN/SMS/ISO (焊接. 快装. 螺纹)

Provide EN 102043.1B certificate

All seal material meet

FDA177.2600

working temperature:-20~+135°C (EPDM/PTFE)

Sterilization temperature:150°C (max.20min)

Working pressure:1.0MPa(16bar)

Medium:Water,drink, Milk, pharmacy etc

connection method:3A/ DIN/SMS/ ISO(welding,clamp,thread)



连接方式 Connection

法兰、焊接、快装、内/外螺纹

Flanges,welded,quick-install, internal/external threads

主要零件及材质

Main Parts and Materials

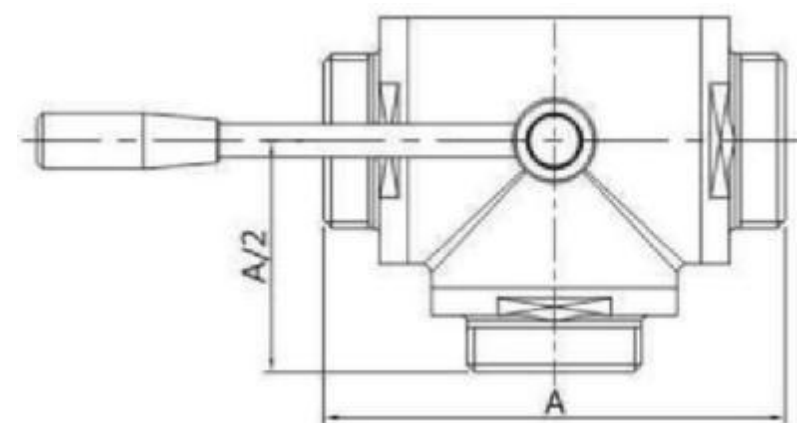
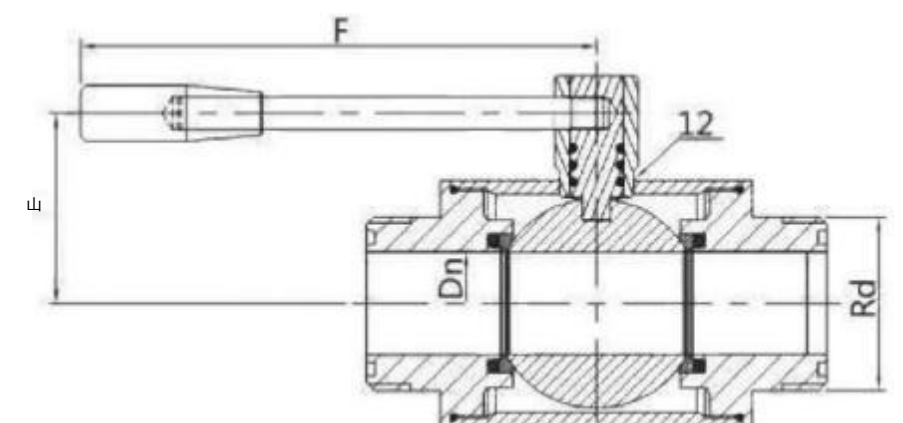
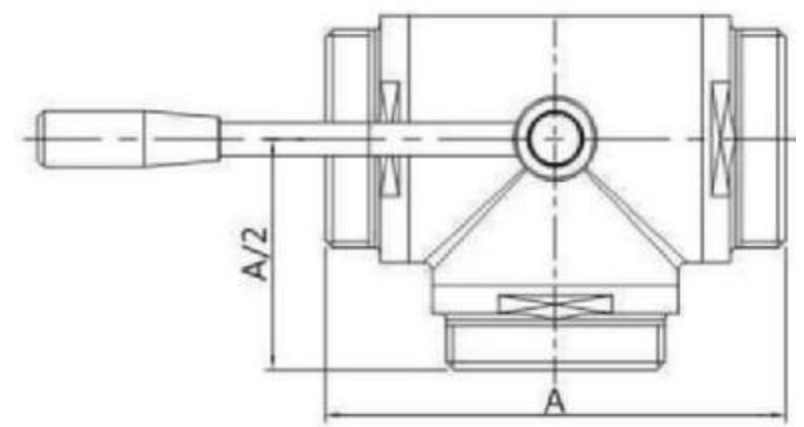
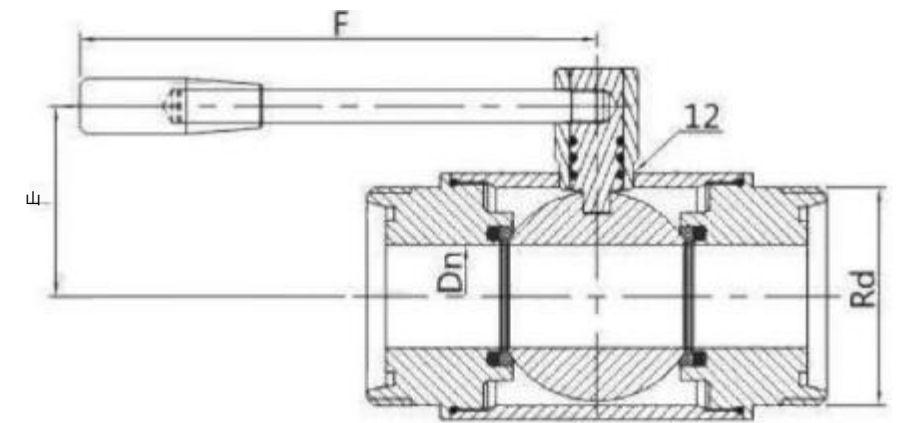
气动阀体 CF3/CF8M	阀体 CF3/CF8M	阀盖 F304/316L	阀座 PTFE	三通球体L/T 304/316L	阀杆 304/316L	压紧螺栓 304	手柄 304

卫生级三通螺纹球阀 Sanitary Three Way Threaded Ball Valve

三通螺纹球阀(DIN)

Three-way threaded ball valve(DIN)

Size	Dn	Rd	A	E	F
DN25	25	Rd58×1/6"	140	50	146
DN32	31	Rd65×1/6"	156	64	185
DN40	37	Rd78×1/6"	172	68	185
DN50	49	Rd95×1/6"	182	95	243
DN65	66	Rd110×1/4"	196	104	243
DN80	81	Rd130×1/4"	256	122	273
DN100	100	Rd160×1/4"	286	173	273



三通螺纹球阀 (SMS)

Three-way threaded ball valve(SMS)

Size	DN	Rd	A	E	F
1"	22.4	Rd40x1/6"	140	64	185
1 1/4"	28.8	Rd48×1/6"	156	64	185
1 1/2"	35.1	Rd60×1/6"	165	68	185
2"	47.8	Rd70×1/6"	182	73	205
2 1/2"	59.5	Rd85×1/6"	196	95	243
3"	72.2	Rd98×1/6"	225	104	243
4"	97.6	Rd125×1/4"	286	173	273

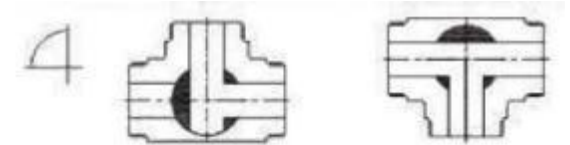
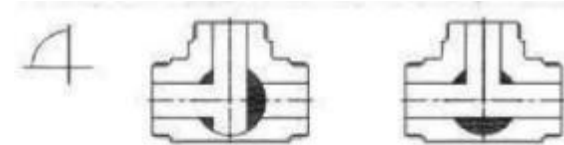
T型通口

T type gateway

A向入口(A inlet)

90° 旋转方向(90 rotation direction)

90° 旋转方向(90 rotation direction)



L型通口

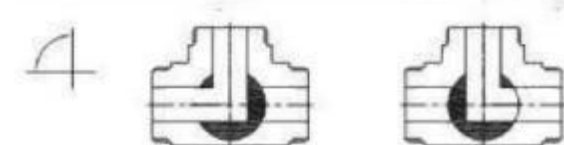
L type gateway

A向入口(A inlet)

90° 旋转方向(90 rotation direction)

B向, C向切换入口(B,C switch inlets)

90° 旋转方向(90 rotation direction)



卫生级蝶型球阀 Sanitary Butterfly-Type Ball Valve

应用 Applications

QF7 蝶式球阀是一种装卸快捷、清洗方便的阀门，是卫生级行业处理黏性或颗粒物介质的最佳选择。主要应用于食品、饮料加工、以及制药和化学工业等领域。

QF7 butterfly-ball is a fast loading,easy to clean the valve,the health sector as handing viscous or grain media the best choice. Mainly used in food,drink,pharmaceutical and chemical.

技术参数 Technique Parameter

可提供EN 102043.1B证书。

采用进口密封材料，所有密封材质均符合FDA 177.2600

工作温度：-20~+135°C (EPDM/PTFE)

灭菌温度：150°C (max. 20min)

工作压力：1.0Mpa(10bar)

介质：水、饮料、乳品、药剂等

连接方式：3A/DIN/SMS/ISO (焊接. 快装. 螺纹. 法兰)

Provide EN 102043.1B certificate

All seal material meet

FDA177.2600

working temperature:-20~+135°C(EPDM/PTFE)

Sterilization temperature:150°C(max.20min)

Working pressure:1.0Mpa(10bar)

Medium:Water,drink,Milk,pharmacy etc

connection method:3A/DIN/SMS/ISO(welding,clamp,thread, flange)

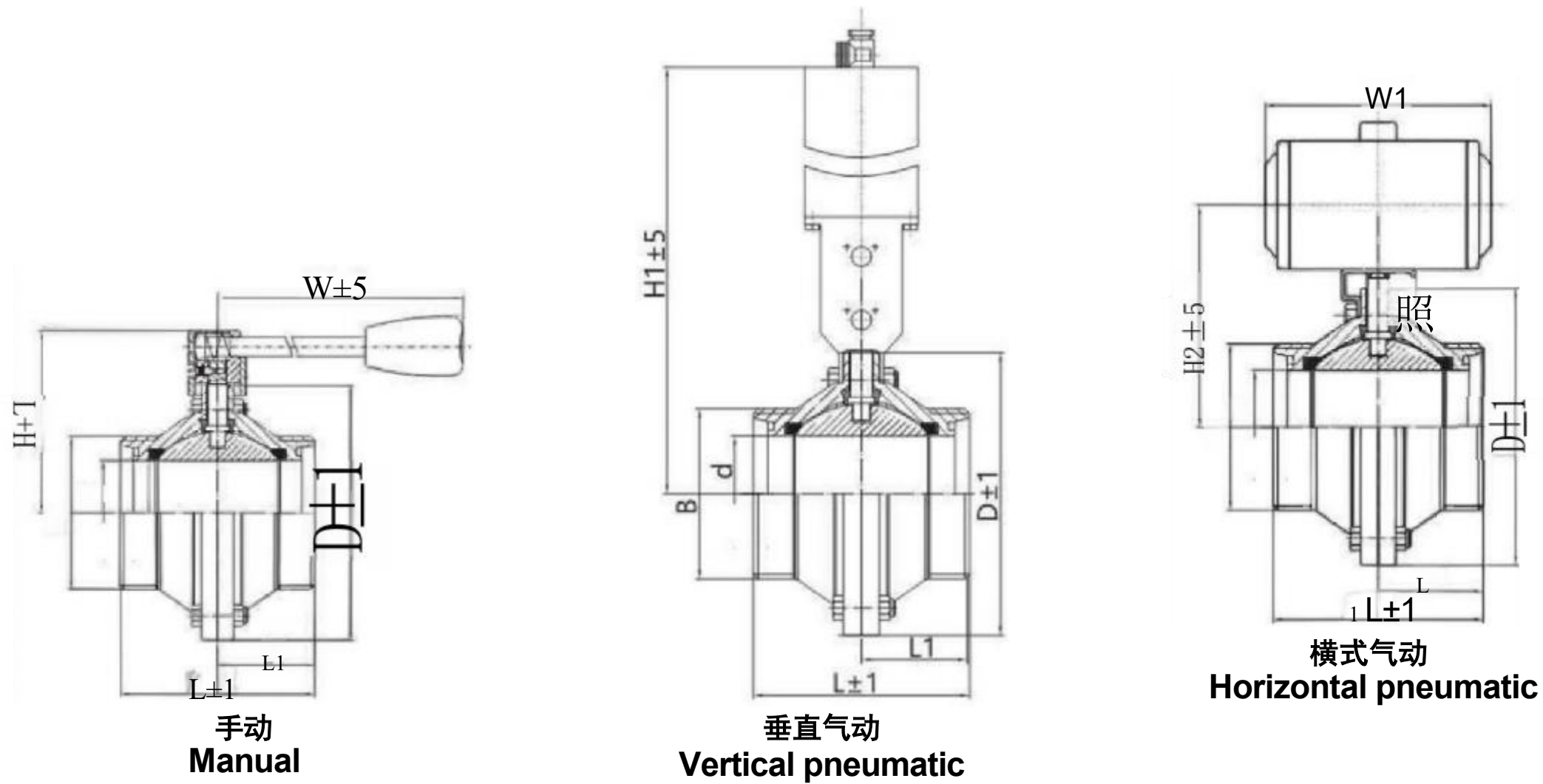
连接方式 Connection

法兰、焊接、快装、内/外螺纹

Flanges,welded,quick-install,internal/external threads



卫生级蝶型球阀 Sanitary Butterfly-Type Ball Valve



技术参数 Technique Parameter		
金属材料 Material	与产品接触的部件 Contact product parts	304L/316L (1.4307/1.4404) 锻造 304L/316L (1.4307/1.4404) Forged
	不与产品接触的部件 Non-contact product parts	304 (1.4301)
	可提供 EN 102043.1B 证书 Provide EN 102043.1B certificate	
密封材质 Seal material	标配 Standard	PTFE/EPDM
	选配 Option	FPM/PTFE, HNBR/PTFE, SILICONE/PTFE
	采用进口密封材料, 所有密封材质均符合 FDA 177.2600 All seal material meet FDA 177.2600	
温度 Temperature	连续工作温度 Running working temperature	-20~+135°C (EPDM/PTFE)
	灭菌温度 Sterilization temperature	150°C (max 20min)
压力 Pressure	工作压力 Working pressure	10bar
表面处理 Surface treatment	内表面处理 Internal surface	Ra ≤ 0.8 μm
	外表面处理 External surface	1.6 μm
连接 Connection	连接标准 Connection standard	焊接端: DIN 11850 系列 2 Welded end: DIN 11850 series 2
		焊接端: Inch 管径标准 Welded end: INCH pipe standard
	连接方式: 焊接, 螺纹, 快装, 法兰等 Connection method: welding, thread, clamp, flange	

螺纹蝶式 Threaded butterfly-type

DIN

DN	d	D	L1	L	H	H1	H2	W	W1	B
DN25	26	90	40	80	70	230	160	120.5	AT63	Rd52 × 1/6"
DN40	38	100	50	100	76	235	180	120.5	AT75	Rd65 × 1/6"
DN50	50	116	52.5	105	95	270	195	156.3	AT83	Rd78 × 1/6"
DN65	66	142	62.5	125	108	-	220	156.3	AT92	Rd95 × 1/6"
DN80	81	172	70	140	125	-	260	220	AT105	Rd110 × 1/4"
DN100	100	200	85	170	155	-	300	220	AT125	Rd130 × 1/4"

卫生级蝶型球阀 Sanitary Butterfly-Type Ball Valve

应用 Applications

该类型阀门系列是一款自动或手动操纵的蝶式球阀系列, 因其能很好的处理粘性或含有颗粒物的介质, 从而广泛应用于食品、饮料加工, 以及制药和化学工业管道系统内调节、控制介质流量的一类阀门。

This type of valve series can be automatically or manually, because of its can be very good deal with viscous or medium with particulate, which is widely used in food, beverage, pharmaceutical and chemical industrial piping system, to regulate and control the medium flow in the system.

工作原理 Work Principle

该类型阀门既可以通过一个电动执行器或一个气动执行器进行远程遥控操作, 也可以通过一个手柄进行人为操控。

电动执行器或气动执行器是将一个活塞的轴向运动转换为阀门轴的90°旋转, 实现开启或关闭, 实现对管道流体的控制和开/关任务。气动执行器装置有三种标准: 常开(NO)型, 常闭(NC)型, 气/气(A/A)型。

鸭嘴式手动操作的多位手柄可通过15°位置的调节将阀门机械式锁定在其开启或关闭的12位子上, 达到控制介质流量的目的:

拉杆式手动操作手柄通过4个多功能定位, 将阀门机械式锁定在其开启或关闭的4个位子上, 也达到控制介质流量的目的。

This kind of valve can be operated through actuator (electric pneumatic).

Actuator or manually with the hand is to revolve the axial movement of piston actuator (electric or pneumatic) pushed the position of axial movement unto 90 degree; So then it the valve can open or close. The actuator have three type.

Muti-position handle can use to 15° adjustment of valve there is 12 seat to lock open or close, In that way, the valve can control the flow.

Pulling handle can use to the 4 multi-function to lock open or close, In that way, the valve can control the flow.

材料 Material

钢制部件: SUS304, SUS316L

密封件: PTFE, PPL

Steel parts: SUS304, SUS316L

Seal: PTFE, PPL

连接方式 Connection

法兰、焊接、快装、内/外螺纹

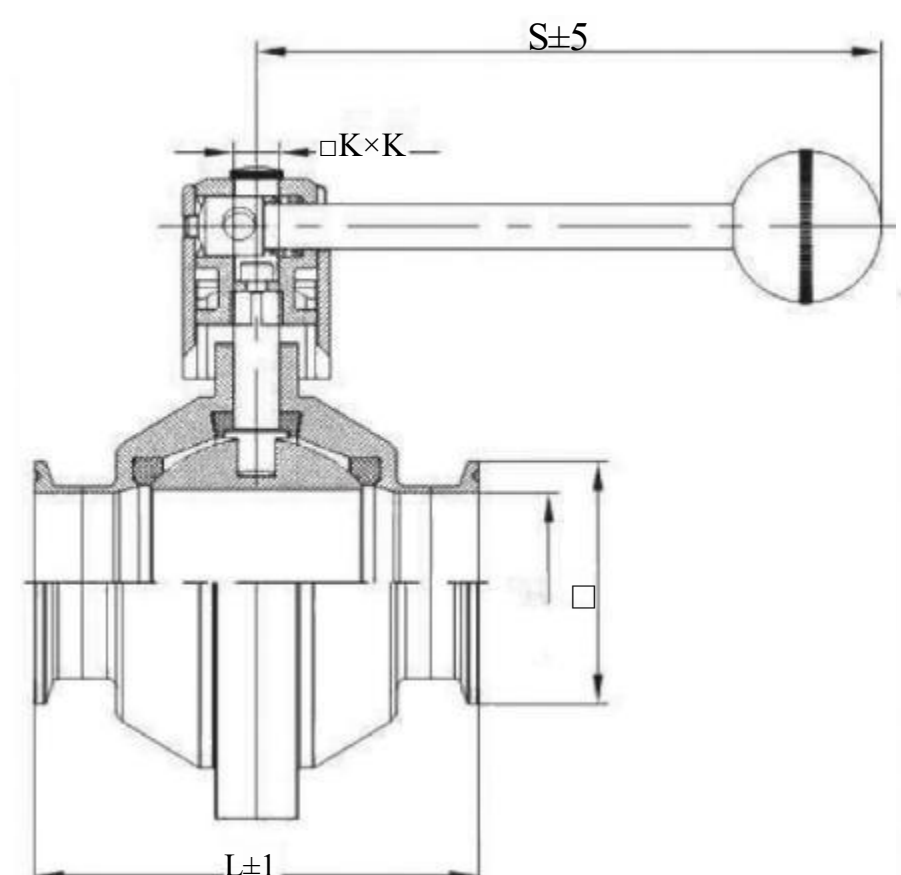
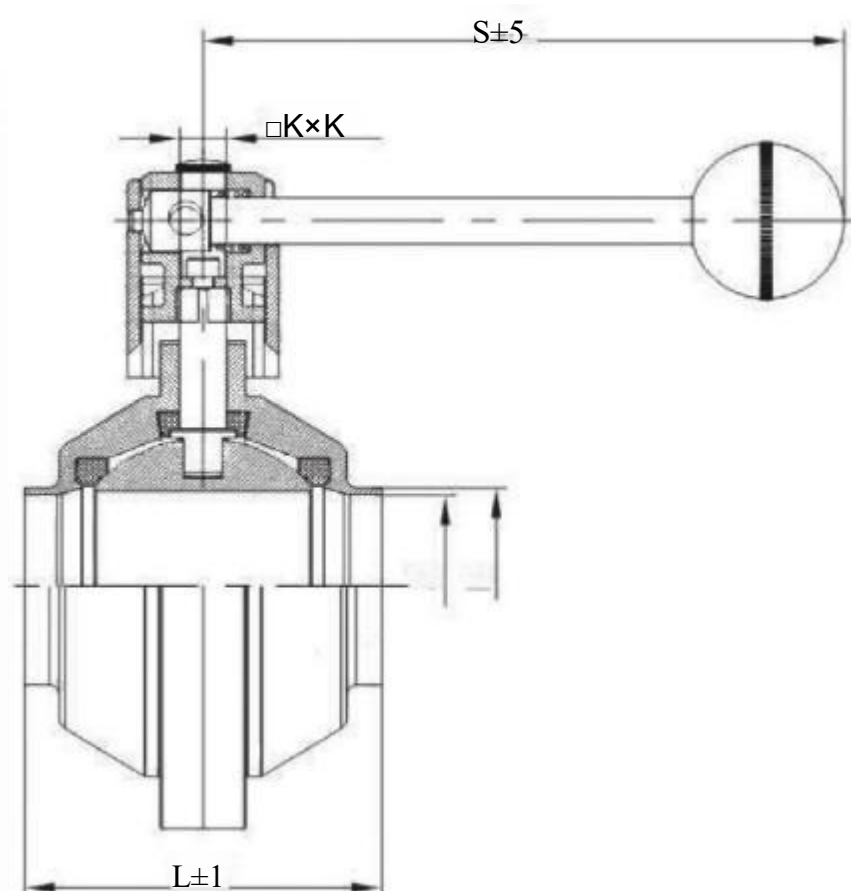
Flanges, welded, quick-install, internal/external threads



卫生级蝶型球阀 Sanitary Butterfly-Type Ball Valve

Size	d	D	L	S
3/4"	16	50.5	80	115
1"	22.1	50.5	80	115
1 1/4"	28	50.5	80	115
1 1/2"	34.9	50.5	100	128
2"	47.5	64	105	128
2 1/2"	59.5	77.5	125	160
3"	72.2	91	134	160
3 1/2"	85	106	140	185
4"	98	119	170	185

Size	d	D	L	S
1"	22.1	25.4	80	115
1 1/4"	28	31.8	80	115
1 1/2"	34.9	38.1	100	128
2"	47.6	50.8	105	128
2 1/2"	59.5	63.5	125	160
3"	72.2	76.2	134	160
3 1/2"	85	88.9	140	185
4"	97.6	101.6	170	185



卫生级无滞留球阀 Sanitary Non-Retrnion Ball Valve

应用 Application

无滞留球阀为全包式球座设计, 解决了球阀液体滞留阀腔内的问题, 该球阀适用于生物制药工程。

Stranded ball valve for the all inclusive tee design to solve the ball valve liquid retention valve cavity and the valve used in bio pharmaceutical engineering.

设计特点 Design Features

阀体组合卡箍连接

无需专业工具即可拆卸阀门

操作扭矩小

垫圈根据FDA177.2600

连接卡箍焊接螺纹, DIN.SMS.ISO.IDF.BPE.RJT

无论是何种连接方式, 阀体都可进行更换, 而不会改变阀门的总长度

Body combination clamp connection

Without professional tools to remove the valve

Operating torque is small

Washer according to FDA177.2600

Connecting clamp welding thread, DIN.SMS. ISO. IDF. BPE. RJT

No matter what kind of connection, the valve can be replaced without changing the total length of the valve

产品特征 Product Features

- 1、阀杆防飞出设计
 - 2、阀体与阀盖连接带定位台阶设计
 - 3、全流通
 - 4、无滞留设计
 - 5、阀杆密封填料自补偿装置
 - 6、挂锁装置
- 1.Valve stem anti-flying design
 - 2.The connection between valve body and bonnet with positioning stage design
 - 3.Circulation
 - 4.No retention design
 - 5.Stem seal packing with compensating device
 - 6.Padlock device



工作原理 Working Principle

通过90° 旋转手柄, 从而360° 带动有贯通腔的精确制造的球体, 以开启或关闭阀门, 达到控制介质流量。

Through 90° rotary handle, drive the ball body which have transfixion cavity and precise manufacture, to open or close the valve, reaching control the flow rate of medium.

材料 Material

钢制部件: SUS304, SUS316L

密封件: EPDM, PTFE

Steel parts: SUS304, SUS316L

Seal: EPDM, PTFE

连接方式 Connection

法兰、焊接、快装、内/外螺纹

Flanges, welded, quick-install, internal/external threads

标准设计 Standard Design

有各标准的阀门系列可以向客户提供，即用于DIN 标准系列，3A 标准系列，SMS标准系列，ISO/IDF标准系列，BS/RJT标准系列，ASME/BPE等标准系列。

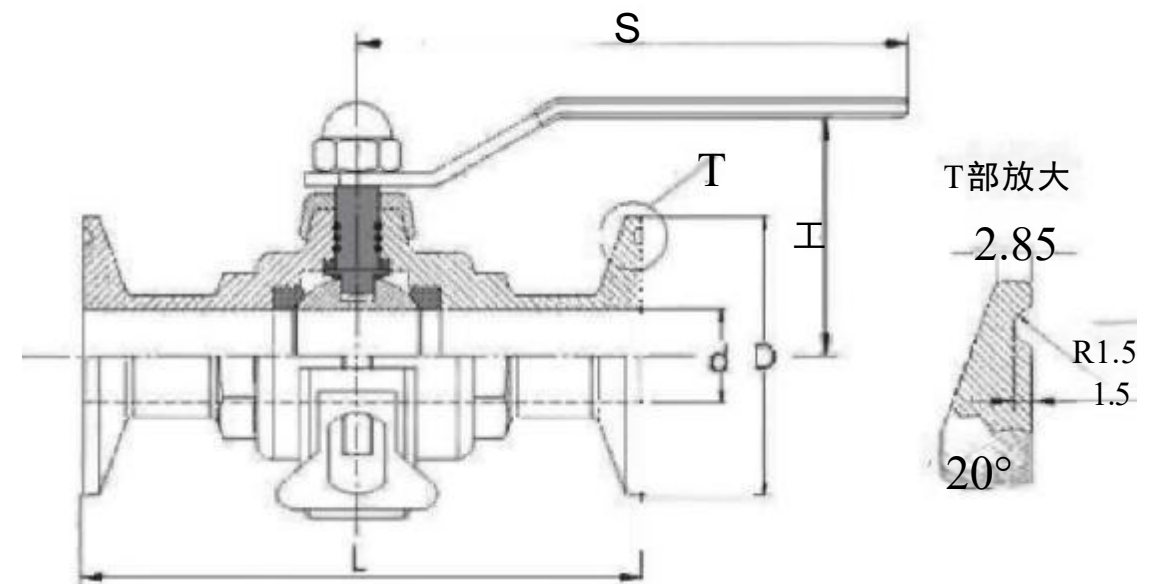
球阀的组成部件一般包括：一个手柄、一个带有贯通腔的球体、阀体、阀门轴芯以及轴密封圈。

现有的球阀系列规格有：焊接式球阀、卡箍式球阀、螺纹式球阀等系列球阀。

Different standard of valve series can supply to customers,they are the DIN standard series,3A standard series,SMS standard series,ISO/IDF standard series,BS/RJT standard series,ASME/BPE etc.

The constitute elements of ball valve always included:one handle,one ball body with transfixion cavity, valve body, valve central spindle and spindle shaft seal.

The specification of ball valve series are welded ball valve,clamped ball valve,threaded ball valve etc.



技术参数 Technique Parameter

采用进口密封材料，所有密封材质均符合FDA 177.2600

工作温度：-20~+135°C (EPDM/PTFE)

灭菌温度：150°C(max.20min)

工作压力：1.0MPa(16bar)

介质：水、饮料、乳品、药剂等

连接方式：3A/DIN/SMS/ISO (焊接.快装.螺纹.法兰)

All seal material meet FDA177.2600

working temperature:-20~+135°C (EPDM/PTFE)

Sterilization temperature:150°C (max.20min)

Working pressure:1.0MPa(16bar)

Medium:Water,drink,Milk,pharmacy etc

connection method:3A/DIN/SMS/ISO(welding,clamp,thread,flange)

直通无滞留球阀扭矩表，单位(N.M)

Operating Torque(N.M)

Size	d	D	L	H	S
3/4"	16	50.5	100	65	105
1"	22.4	50.5	110	70	105
1 1/4"	28.5	50.5	120	80	130
1 1/2"	35.1	50.5	140	80	150
2"	47.8	64	164	85	160
2 1/4"	53	77.5	170	110	180
2 1/2"	59.5	77.5	180	110	180
3"	72	91	190	130	200
3 1/2"	85	106	200	140	210
4"	98	119	220	155	230

Size	1"-3/4"	DN25-1"	DN32-1 1/4"	DN40-1.5"	DN50-2"	2.5"-DN65	3"	DN80	4"-DN100
扭矩Torque	6	10	12	14	20	40	75	90	110

注意：选择执行器建议增加20%安全余量

Note:the actuator proposed to increase the safety margin of 20%



卫生级三片式全包球阀

Sanitary 3PC All-Inclusive Ball Valve

应用 Application

三片式全包球阀是一款方便安装、拆卸及清洗的卫生型球阀，用于气体、液体等物料输送，这种阀门的应用范围包括食品、饮料以及制药和化工业等领域。全口径及全包密封、阀门设计，极度减小流体阻力和残留，因此使得此阀门用于处理真空设备或黏性流体的最佳选择。

The three-piece all-inclusive ball valve is a hygienic ball valve that is easy to install, disassemble and clean. It is used for gas, liquid and other materials. The valve range includes food, beverage and pharmaceutical and chemical industries. Full-bore and all-inclusive seals and valve design minimize fluid resistance and residue, making this valve the best choice for handling vacuum equipment or viscous fluids.

技术特点 Technical Characteristics

全包式球阀设计、无滞留、高洁净，满足CIP、SIP杀菌和清洗要求、耐高温150℃，压力25bar，自动补偿密封设计，具有扭矩小，寿命长等特点，正常开关10万次以上，可配置各种执行结构，如电动头、卧式气动头、不锈钢立体气动，钥匙手动柄，还可以加装控制单元、定位器、位置传感器等，也可装自动控制系统。

Full-package ball valve design, no retention, high clean, to meet the CIP, SIP sterilization and cleaning requirements, high temperature 150℃, pressure 25bar, automatic compensation seal design, with torque, long life and other characteristics, the normal switch 100,000 times, can be equipped with a variety of executive structures, such as the electric head, horizontal pneumatic head, stainless steel three-dimensional pneumatic, the key manual handle, you can also install the control unit, positioner, position sensor, can also be installed automatic control system.

表面处理 Surface Finish

所有的表面CNC、0.8rn，达到RA0.4cm，电抛光可达到0.25cm。

All the surface CNC, 0.8rn, to RA0.4cm, electrical polishing up to 0.25cm.

连接方式 Connection

法兰、焊接、快装、内/外螺纹

Flanges, welded, quick-install, internal/external threads



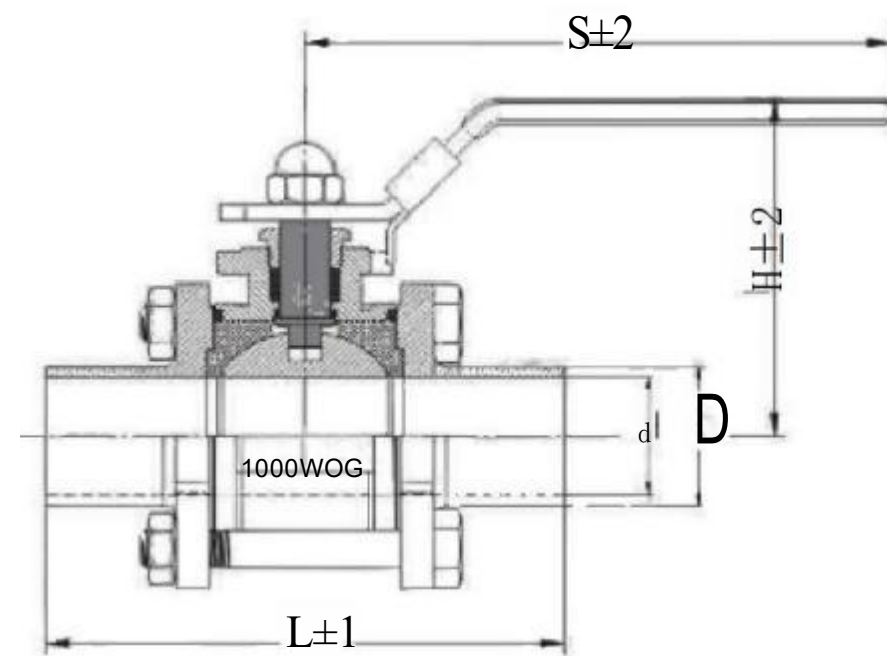
焊接式三片式全包球阀
Three piece ball valve full welded



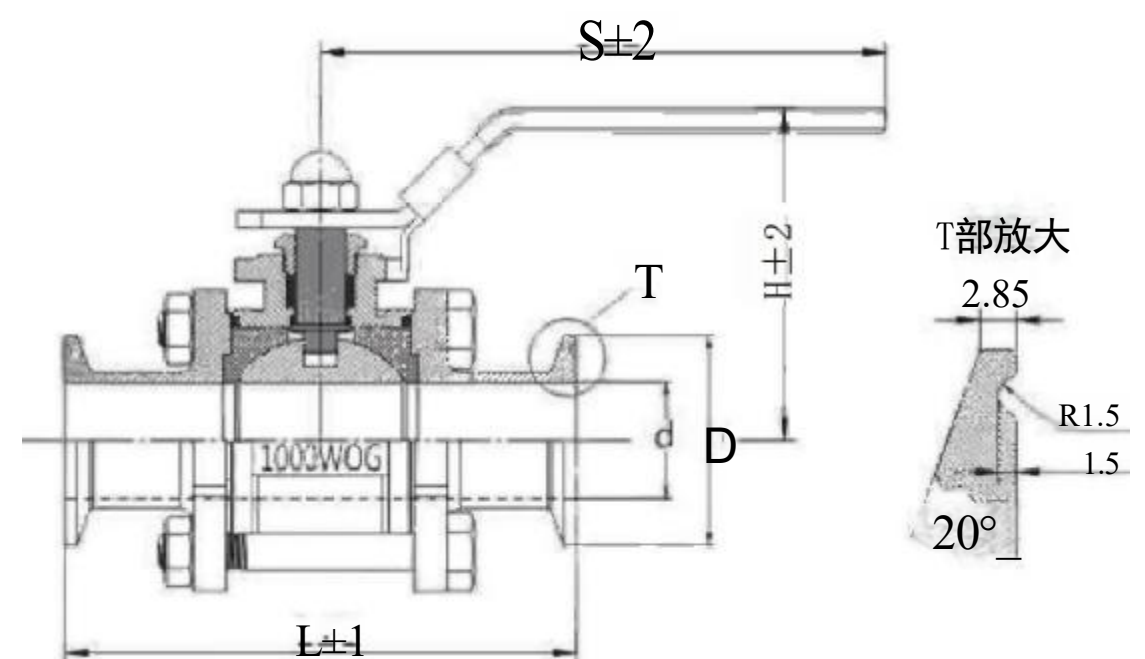
快装三片式全包球阀
Clamp three full-package ball valve

卫生级三片式全包球阀 Sanitary 3PC All-Inclusive Ball Valve

Size	d	D	L	H	S
1/2"	9.4	12.7	90	60	132
3/4"	15.8	19.1	104	64.5	132
1"	22.1	25.4	115	69	165
1 1/4"	28.5	31.8	125	75	170
1 1/2"	34.8	38.1	140	89	194
2"	47.5	50.8	156	97	194
2 1/2"	59.5	63.5	198	127	252
3"	72.2	76.2	230	135	252
4"	97.6	101.6	242	159	332
5"	125	129	290	210	350
6"	150	154	340	249	430



Size	d	D	L	H	S
1/2"	9.4	25.2	90	60	132
3/4"	16	50.5	104	64.5	132
1"	22.1	50.5	115	69	170
1 1/4"	28.5	50.5	125	75	170
1 1/2"	35	50.5	140	89	187
2"	47.5	64	156	97	217
2 1/2"	59.5	77.5	198	127	220
3"	72.2	91	230	135	320
3 1/2"	81	106	230	143	320
4"	97.6	119	242	159	332
5"	125	145	300	210	350
6"	150	183	350	249	430





洁净自控调节阀 Clean Self-Controlled Control Valve

应用 Application

三片式全包调节球阀是一款方便安装、拆卸及清洗的卫生型球阀，用于气体、液体等物料输送，这种阀门的应用范围包括食品、饮料以及制药和化工业等领域。全口径及全包密封、阀门设计，极度减小流体阻力和残留，因此使得此阀门用于处理真空设备或黏性流体的最佳选择。

The three-piece all-inclusive ball valve is a hygienic ball valve that is easy to install, disassemble and clean for the transfer of gases, liquids and other materials in the food, beverage, pharmaceutical and chemical industries. The full-bore and all-encompassing sealed, valve design minimizes fluid resistance and carryover, making this valve the best choice for vacuum equipment or viscous fluids

标准设计 Standard Design

有各标准的阀门系列可以向客户提供，即用于DIN 标准系列，3A 标准系列，SMS 标准系列，ISO/IDF 标准系列，BS/RJT 标准系列，ASME/BPE 等标准系列。

球阀的组成部件一般包括：一个带有贯通腔的球体、阀体、阀门轴芯以及轴密封圈。

现有的球阀系列规格有：焊接式球阀、卡箍式球阀、螺纹式球阀等系列球阀。

Different standard of valve series can supply to customers, they are the DIN standard series, 3A standard series, SMS standard series, ISO/IDF standard series, BS/RJT standard series, ASME/BPE etc.

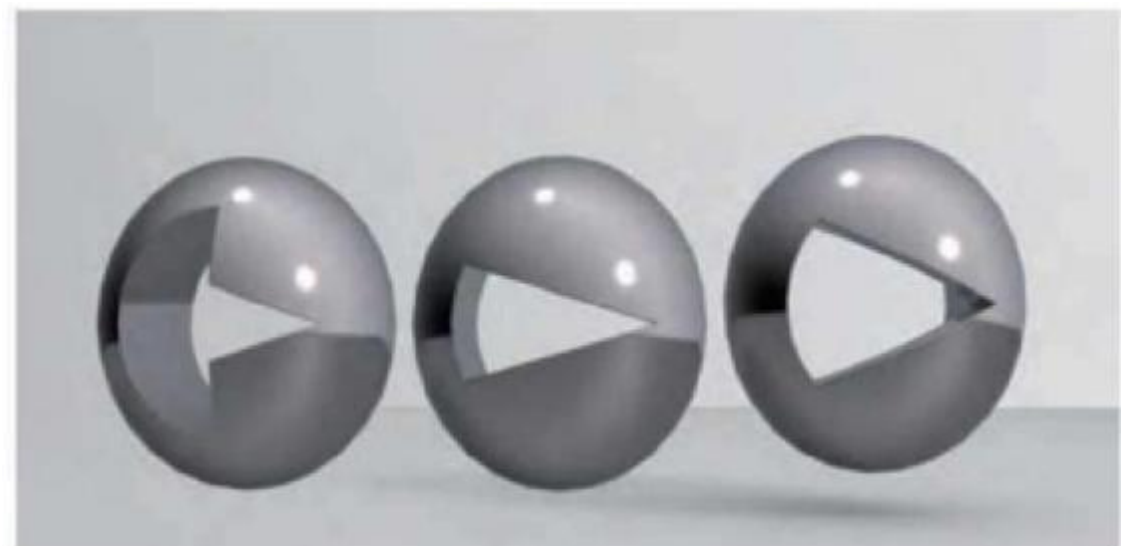
The constitute elements of ball valve always included: one ball body with transfixion cavity, valve body, valve central spindle and spindle shaft seal.

The specification of WEIHENG'S ball valve series are welded ball valve, clamped ball valve, threaded ball valve etc.

连接方式 Connection

法兰、焊接、快装、内/外螺纹

Flanges, welded, quick-install, internal/external threads



气动执行器可安装在二通或者三通的符合ISO5211 标准的低平台和高平台球阀上

(低平台球阀可加附支架安装执行器)

材质: 316 ASTM-CF8MA351

阀座: PTFE

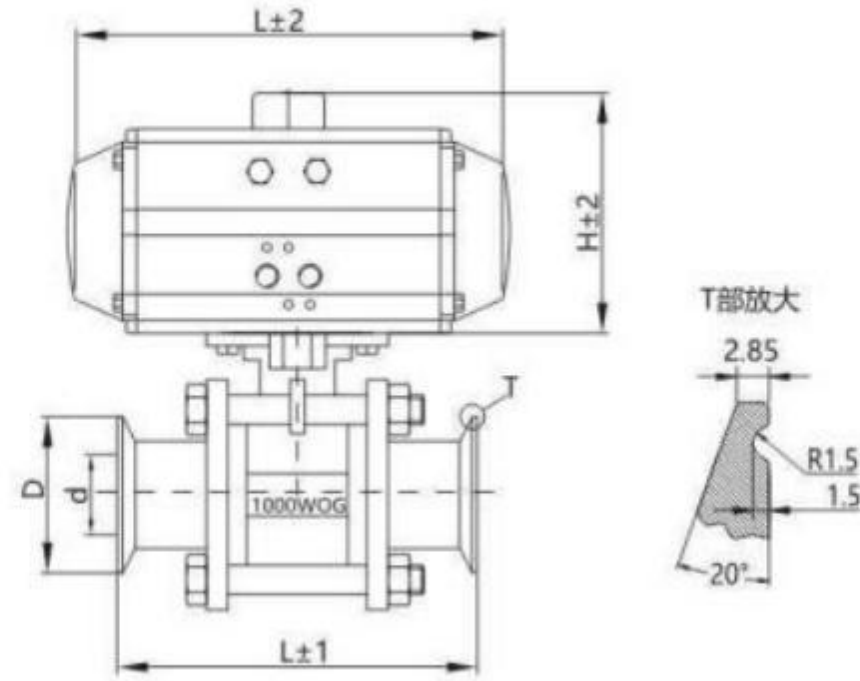
Pneumatic Actuator: can be installed into CSE, Two-way or Three-way low platform or high platform which is according to ISO5211

(to the low flat form such as ball valve, a brackect support can be supplied for installing the pneumatic actuator)

Material: 316 ASTM-CF8M A351

Valve seat: PTFE

洁净气动三片球阀 Clean Pneumatic Three-Piece Ball Valve



Size	d	D	L	气缸型号 Cylinder model
1/2"	9.4	25.2	91	AT40
3/4"	16	50.5	104	AT50
1"	22.1	50.5	115	AT63
1 1/4"	28.5	50.5	125	AT63
1 1/2"	34.9	50.5	140	AT75
2"	47.5	64	156	AT83
2 1/2"	59.5	77.5	198	AT92
3"	72.2	91	230	AT125
4"	97.6	119	242	AT140





双控球阀

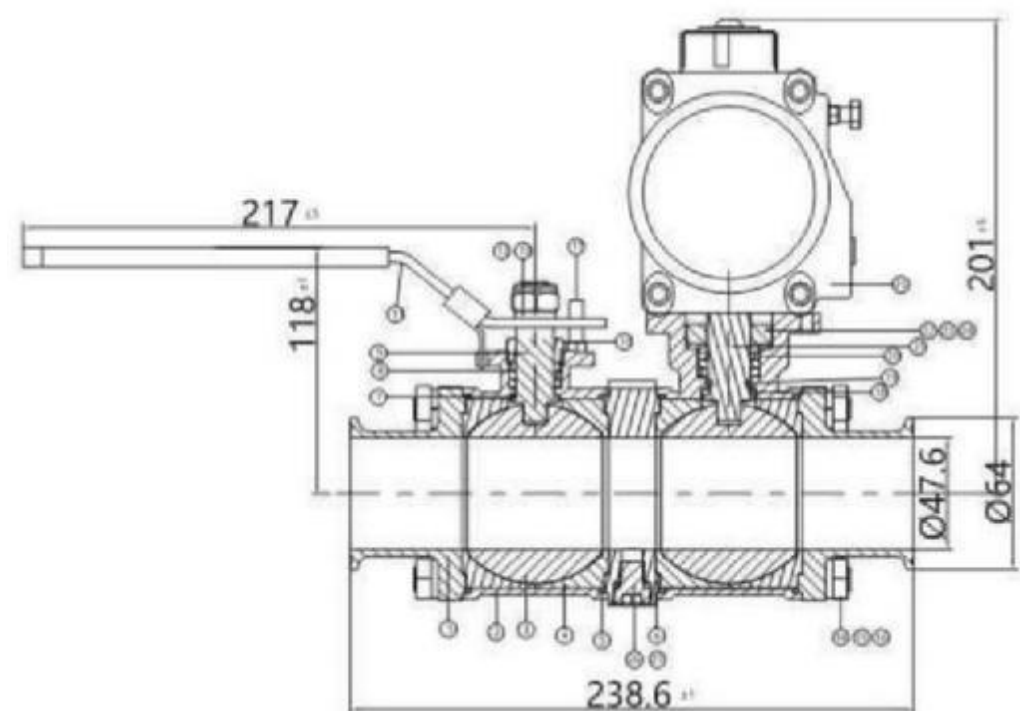
Double-Controlled Ball Valve



应用 Application

双联全包球阀是一款应用于物料输送和截流的开关型阀门，同时能够有不同的执行机构开启和关闭，球阀设计空间紧凑，有双球密封。方便拆卸清洗安装，另外球阀的低部设有泄放孔，检修时各管路线保持隔离。

Double link all inclusive ball valve is a switch type valve used for material transportation and interception, which can have different actuators to open and close. The ball valve is designed with compact space and double ball sealing. Convenient for disassembly, cleaning, and installation. In addition, the lower part of the ball valve is equipped with a relief hole, and each pipeline route is kept isolated during maintenance.



序号	代号	零件名称	数量	材料
01	AQ81F-1000P-3D-01	阀盖	2	304
02	AQ81F-1000P-3D-02	阀体	2	304
03	AQ81F-1000P-3D-03	球体	2	304
04	AQ81F-1000P-3D-04	球座	4	PTFE
05	AQ81F-1000P-3D-05	线条	4	PTFE
06	AQ81F-1000P-3D-06	三片链接	1	304
07	AQ81F-1000P-3D-07	阀杆垫圈	1	PTFE
08	AQ81F-1000P-3D-08	填料	3	PTFE
09	AQ81F-1000P-3D-09	阀杆	1	304
10	AQ81F-1000P-3D-10	井帽	1	304
11	AQ81F-1000P-3D-11	手柄	1	201
12	GT/T6172-2000	防松螺帽	1	304
13	AQ81F-1000P-3D-12	弹垫	1	304
14	GB/T 5780-2000	螺杆	8	304

序号	代号	零件名称	数量	材料
15	GT/T 6172-2000	螺母	8	304
16	AQ81F-1000P-3D-13	弹垫	8	304
17	AQ81F-1000P-3D-14	定位销	1	304
18	AQ81F-1000P-3D-15	阀杆垫圈	1	PTFE
19	AQ81F-1000P-3D-16	密封圈	1	EPDM
20	AQ81F-1000P-3D-17	填料	3	PTFE
21	AQ81F-1000P-3D-18	阀杆	1	304
22	AQ81F-1000P-3D-19	压盖	1	304
23	GB/T 5780-2000	紧固件	2	304
24	GT/T 6172-2000	螺母	2	304
25	AQ81F-1000P-3D-20	气缸	1	
26	AQ81F-1000P-3D-21	堵头	1	304
27	AQ81F-1000P-3D-22	堵头垫片	1	PTFE

手动真空三通球阀

Manual Vacuum Three-way Ball Valve

标准设计 Standard Design

三通球阀是一种可以互通转换流道的球阀，可以任意的转换方向。

三通球阀的主要特点是可以达到正负压同用的优点。密封可靠，结构紧凑，易于操作和维修。此外，三通球阀的流体阻力最小，其阻力系数与同长度的管段相等。

三通球阀结构简单、体积小、重量轻。密封性好，在真空系统中也已广泛使用。与管道连接后，请用规定的扭矩交叉锁紧法

The three-way ball valve is a kind of ball valve that can communicate with each other to change the flow channel, and can change the direction arbitrarily.

The main feature of the three-way ball valve is that it can achieve the advantages of both positive and negative pressure. The seal is reliable, compact and easy to operate and maintain. In addition, the three-way ball valve has the least fluid resistance, and its drag coefficient is equal to that of a pipe section of the same length.

The three-way ball valve has simple structure, small size and light weight. It has good sealing and has been widely used in vacuum systems. After connecting with the pipe, use the prescribed torque cross-locking method



技术规范 Technical Specifications

材质: SUS304, SS316

规格: DIN标准: DN15-DN100; ISO 标准: 019 (0.75s)-中108 (4.25s)

工作原理: 真空卡箍式球阀是利用球体绕阀杆的轴线旋转，实现开启、关闭的目的。真空卡箍式球阀在管道上主要用于切断介质的流通。

连接形式: 螺纹、法兰、焊接、快装等

应用: 专用于专用于各种高腐蚀介质等工业领域。

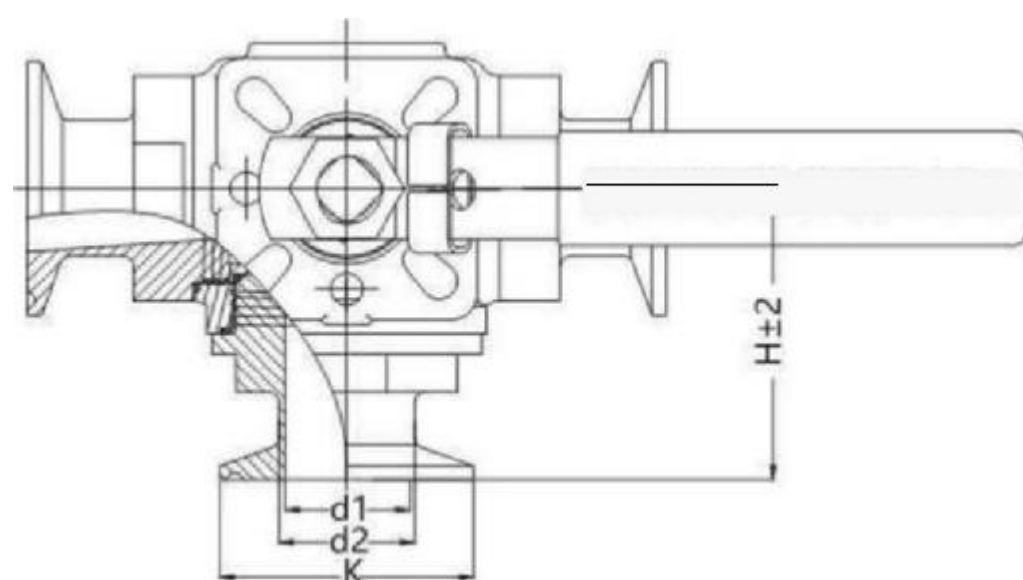
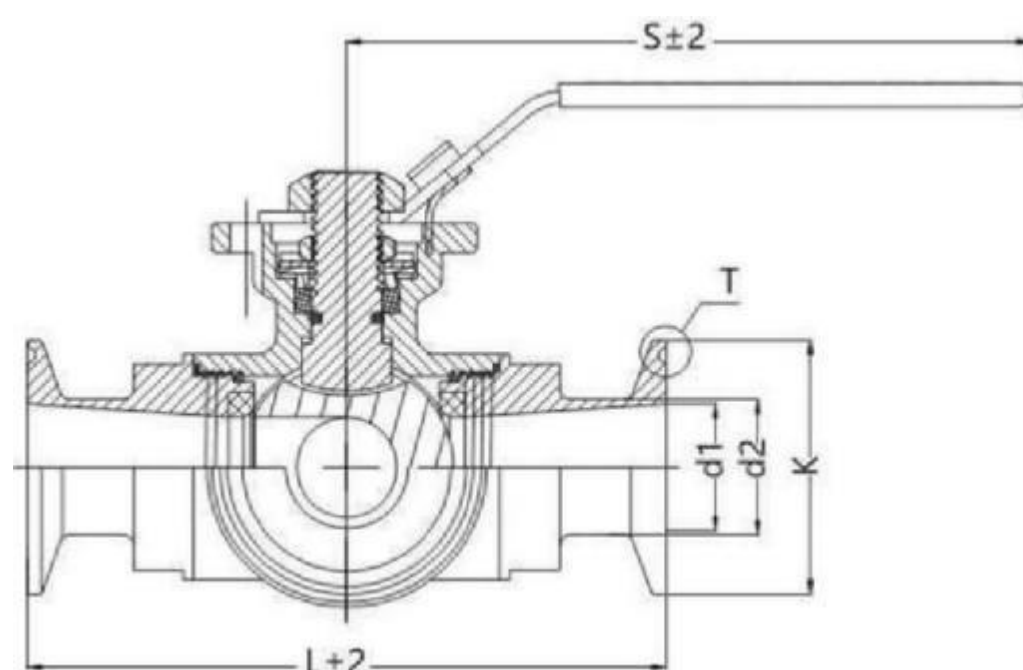
Material: SUS304, SS316

Specification: DIN standard: DN15-DN100; ISO Standard: 019 (0.75s)-Medium 108(4.25s)

Working principle: Vacuum clamp ball valve uses the ball body to rotate around the axis of the valve stem to achieve the purpose of opening and closing. Vacuum clamp ball valves are mainly used on pipelines to cut off the flow of media.

Connection form: thread, flange, welding, quick assembly, etc

Application: Dedicated to various industrial fields such as highly corrosive media.



Size	L	K	L1	d	H	F	S	P
1"	135	40	67.5	22	45	9×9	13.5	F50
1 1/2"	160	55	80	35	60.5	11×11	15	F50
2"	180	75	90	50	76	14×14	19	F50-70

手动真空球阀

Manual Vacuum Ball Valve

应用 Application

真空球阀是一款方便安装的常用控制阀，广泛用于各类真空系统中，可在高真空状态下正常工作，也能应用于低压的系统中，达到正负压同用的优点。

Vacuum ball valve is a commonly used control valve that is easy to install and widely used in various vacuum systems. It can work normally under high vacuum conditions and can also be applied in low-pressure systems, achieving the advantage of using both positive and negative pressures.



主要性能 Main performance

- 漏率：阀体 $\leq 1.3 \times 10^{-9}$ Pa.M3/8;
- 压力范围： 1.3×10^{-7} Pa~ 6×10^5 Pa;
- 工作介质：水、蒸气、酸、碱。
- 工作温度： $-30^{\circ}\text{C} \sim +150^{\circ}\text{C}$ 。
- 安装位置：任意
- Leakage rate: Valve body $\leq 1.3 \times 10^{-9}$ Pa M3/8;
- Pressure range: 1.3×10^{-7} Pa~ 6×10^5 Pa;
- Working medium: water, steam, acid, alkali.
- Working temperature: $-30^{\circ}\text{C} \sim +150^{\circ}\text{C}$.
- Installation location: Any

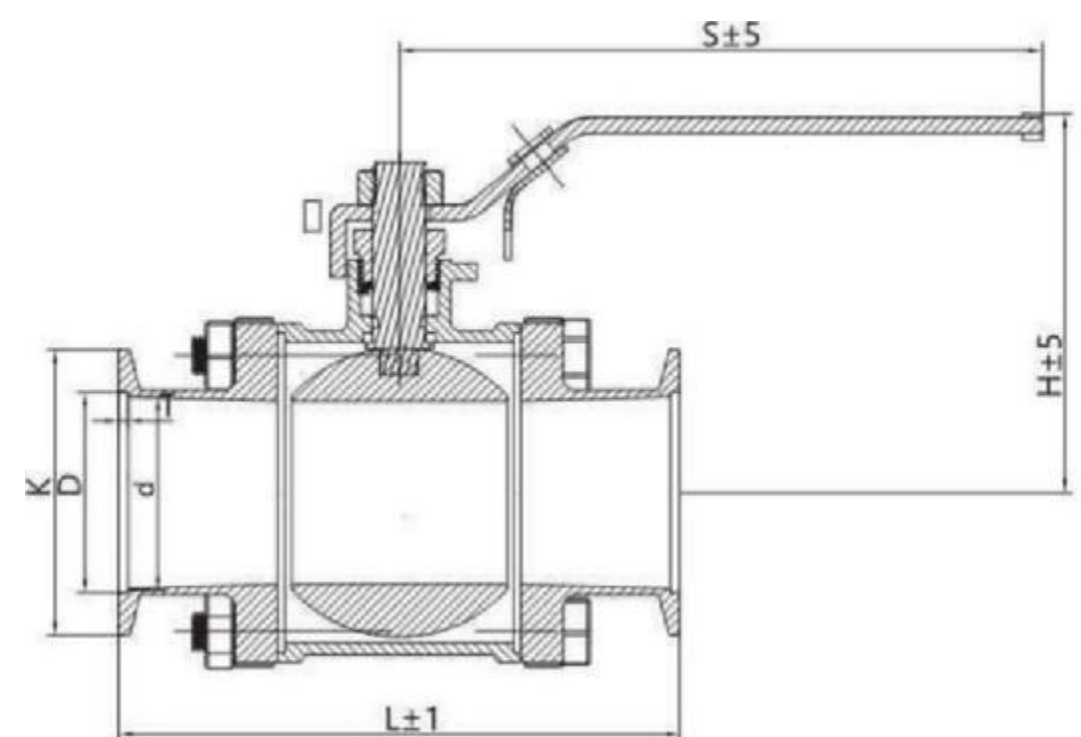
工作原理 Operational principle

以阀杆带动阀球转 90° 达到开关目的

Drive the valve ball to rotate 90° with the valve stem to achieve the purpose of opening and closing

主要特点 Operational principle

- 密封结构，漏率可 $< 1 \times 10^{-10}$ Pa. M3/S
- 开关扭矩小，工作稳定
- 结构紧凑，重量轻，外形简洁、美观；
- 改阀既能适用高真空，又能适用一定的正压力下使用
- Sealing structure, leakage rate can be less than 1×10^{-10} Pa M3/S
- Low switching torque and stable operation
- Compact structure, light weight, simple and beautiful appearance;
- The valve modification can be applied to both high vacuum and certain positive pressure conditions



Size	L	K	d	D	T	H	S
1"	115	40	22.5	26.6	2.5	77.5	140
1 1/2"	140	55	38	41.2	2.5	88	160
2"	146	75	49	52.1	2.5	99.5	160
2 1/2"	198	87	60	70	2.5	135	245

卫生级法兰卡套球阀 Sanitary Flange Card Sleeve Ball Valve

工作原理应用 Working Principle Application

法兰球阀 (Q41F) 启闭件(球体)由阀杆带动并绕球体轴线作旋转运动的阀门,亦可用于流体的调节与控制,球阀在管路中主要用来做切断,它只要平稳旋转的操作和很小的转动力矩就能严密关闭,此阀按驱动方式分为手动球阀,气动球阀、电动球阀、电动比例调节阀。被广泛应用于:食品、饮料、化工等领域。

Flange ball valve (Q41F) is a valve that is driven by the valve stem and rotates around the axis of the ball. It can also be used for fluid adjustment and control. The ball valve is mainly used for cutting in the pipeline. It only needs to rotate smoothly. The operation and the small rotation torque can be tightly closed. The valve is divided into manual ball valve, pneumatic ball valve, electric ball valve and electric proportional control valve according to the driving method. Widely used in: food, beverage, chemical and other fields.

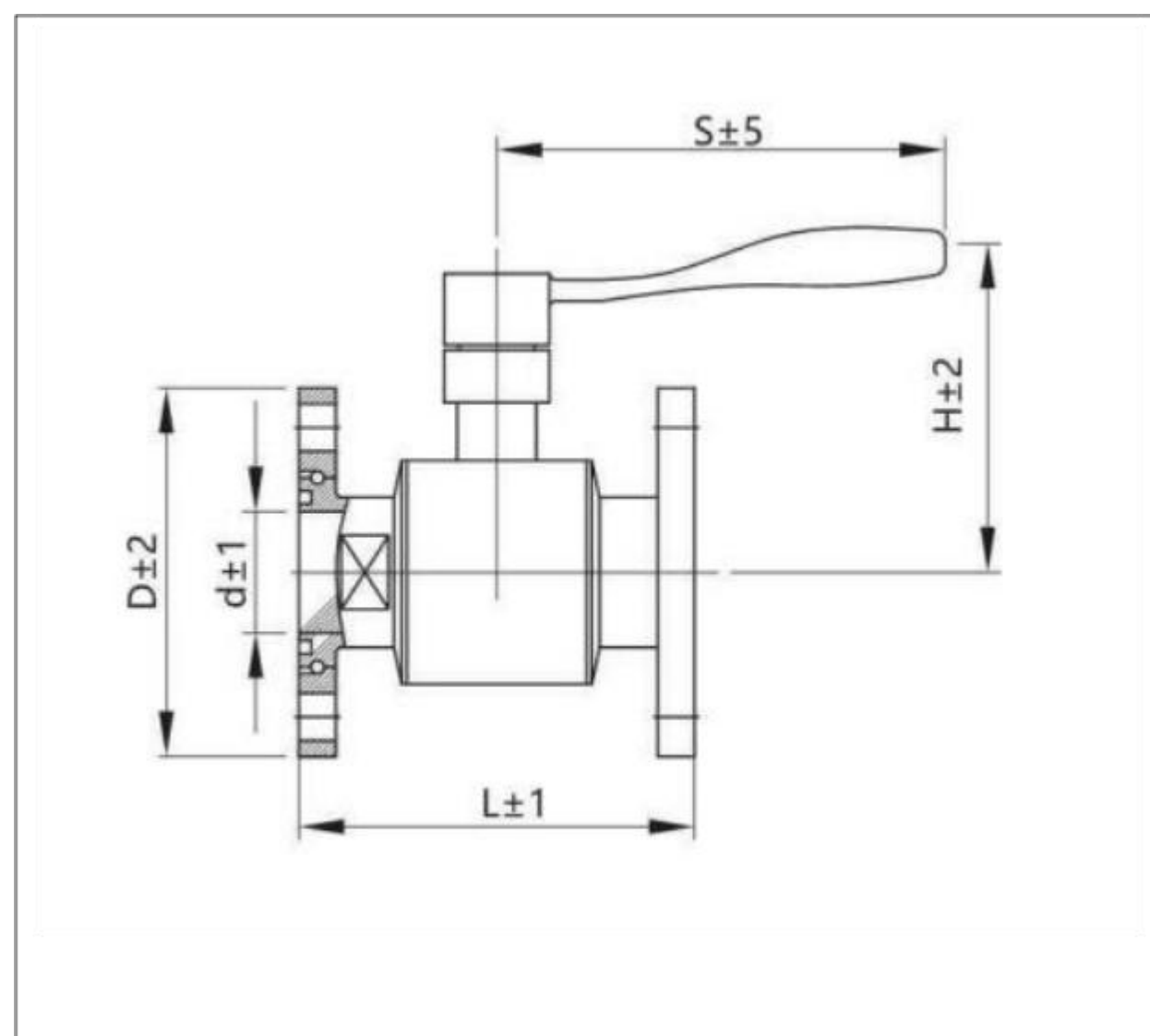


优点 Advantage

法兰连接改善了以往工业阀的外貌,采用机械研磨、表面处理、达到内外净面,互补了食品级与工业级各方面的优点,真正解决各行业跨度设备经验的集合。

The flange connection improves the appearance of the industrial valves in the past, adopts mechanical grinding, surface treatment, and achieves internal and external clean surfaces, complementing the advantages of food grade and industrial grade, and truly solving the collection of span equipment experience in various industries.

Size	d	D	L	H	S
DN15	16	100	100	60	120
DN25	28	110	130	85	150
DN32	35	130	140	95	150
DN40	42	140	150	108	165
DN50	50	160	164	115	165
DN65	66	180	190	128	220
DN80	80	200	210	146	240
DN100	100	220	240	190	240



洁净调节阀

Clean Control Valves

技术参数 Technical Parameters

采用进口密封材料，所有密封材质均符合FDA177.2600

工作温度：-20~+135℃ (EPDM/PTFE)

灭菌温度：150℃ (max. 20min)

工作压力：1.0MPa(10bar)

介质：水、饮料、乳品、药剂等

连接方式：3A/DIN/SMS/ISO (焊接. 快装. 螺纹. 法兰)

All seal material meet FDA177.2600

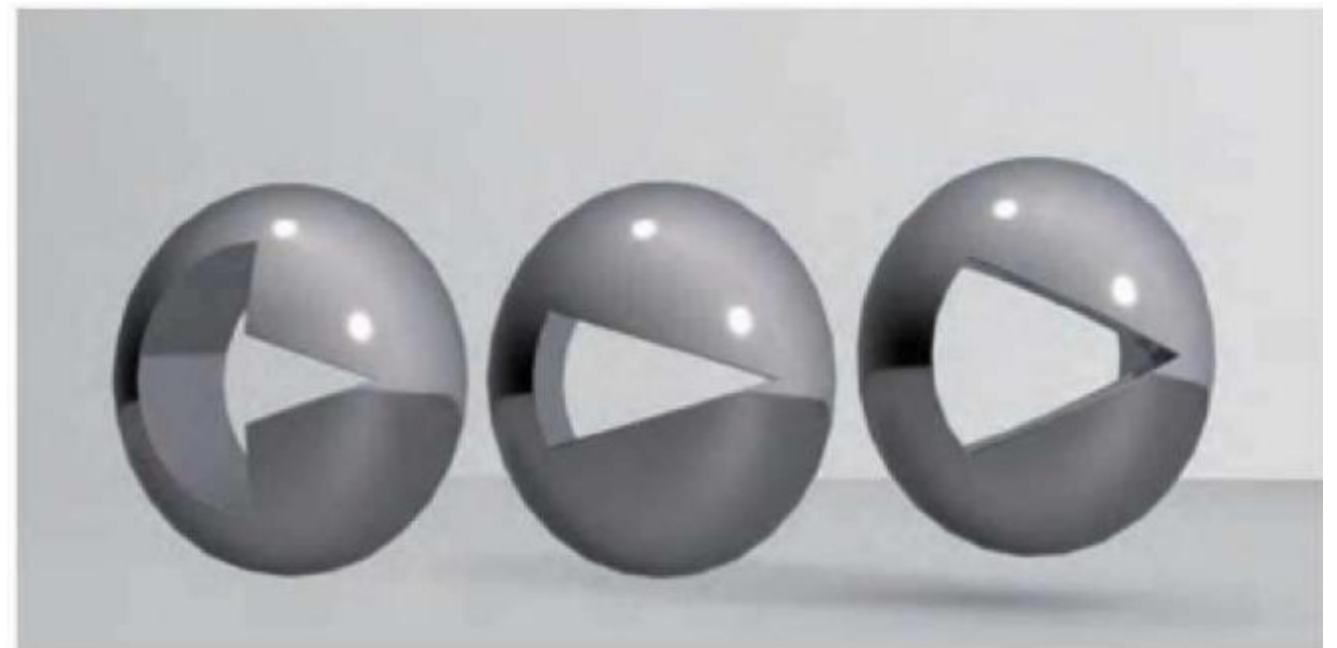
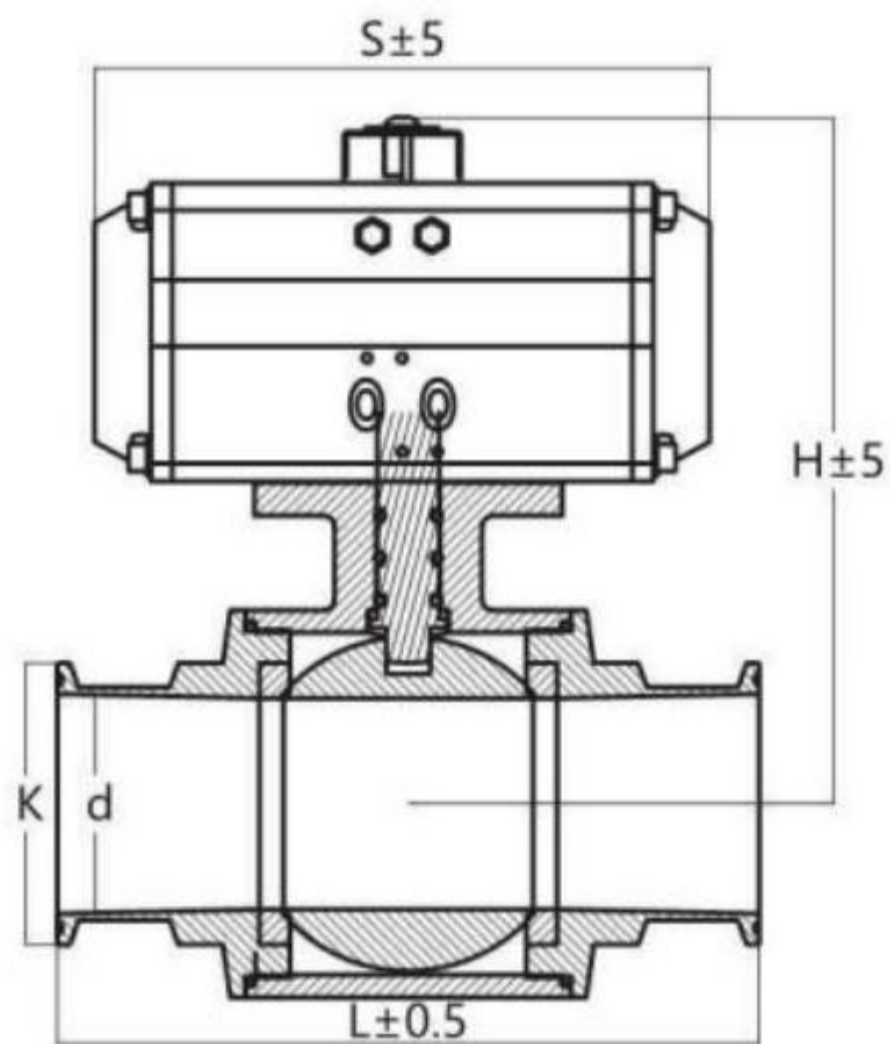
working temperature:-20~+135℃(EPDM/PTFE)

Sterilization temperature:150℃ (max.20min)

Working pressure:1.0MPa(10bar)

Medium:Water,drink,Milk,pharmacy etc

connection method:3A/ DIN/SMS/ ISO(welding,clamp,thread, flange)



Size	L	K	d	L1	H
3/4"	105	50.5	16	153	156
1"	120	50.5	22.2	176	170
1 1/2"	130	50.5	28.6	176	170
1 1/2"	140	50.5	35	189	188
1 3/4"	135	64	42	212	203
2"	160	64	47.6	212	210
2 1/2"	180	77.5	59.5	249	235
3"	210	91	72.6	277	260
3 1/2"	225	106	81	308	300
4"	255	119	100	308	320



电动洁净全包球阀 Electric Clean All-Encompassing Ball Valve

精小型电动执行器，电压有：AC24V、AC110V、AC220V、AC380V、DC24V。

智能调节型电动执行器，输入/输出信号有：4~20mADC, 0~100VDC, 1~5VDC。

Mini type Electric Actuator, suitable for voltages at: AC24V, AC110V, AC220V, AC380V, DC24V.

Intelligent Regulating Electric Actuator, input/output signal: 4~20mADC, 0~100VDC, 1~5VDC.

连接方式 Connection

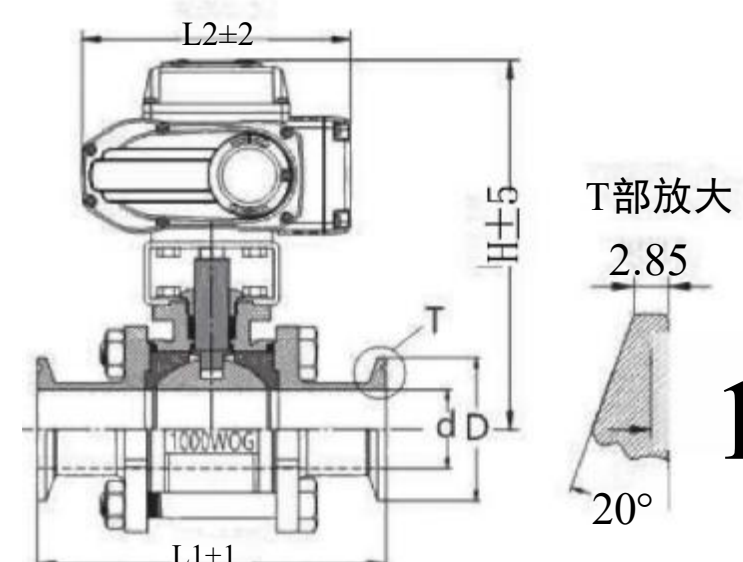
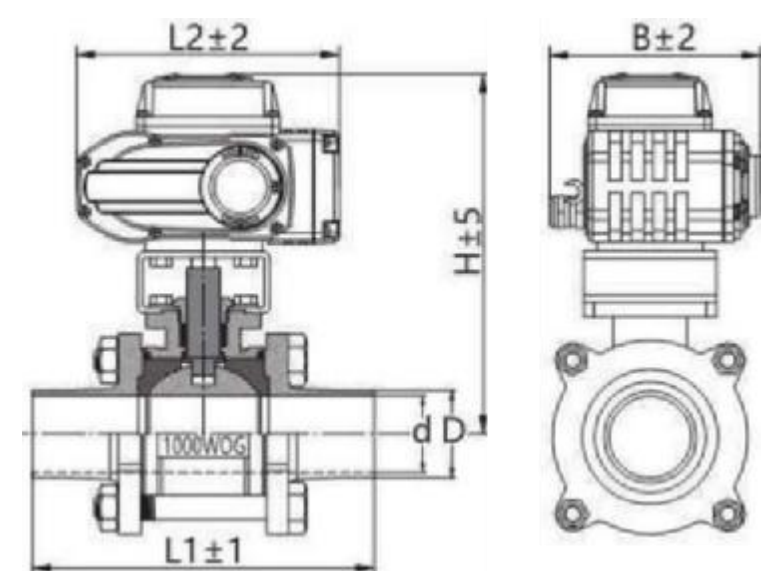
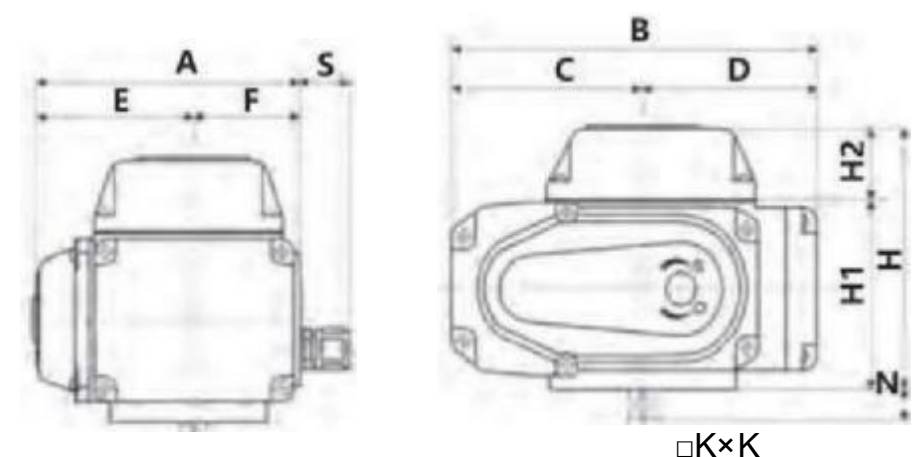
法兰、焊接、快装、内/外螺纹
Flanges, welded, quick-install, internal/external threads

电动执行器 Electric actuator

Size	A	B	C	D	E	F	H	H1	H2	□K×K	N	S
HL-05	115	162	82.5	79.5	64	51	103	75	28	12×12	12	20
HL-10	122	208	98	110	68	54	124			15×15	9	22
HL-25/50	148	258	124	134	86	62	148			23×23	22	22
HL-100/200	156	280	128	152	95	61	159			30×30	25	22

Size	d	D	L1	L2	B	H	执行器型号 Actuator type
1/2"	9.4	12.7	90	178	135	200	FY-05
3/4"	15.8	19.1	104	178	135	205	FY-05
1"	22.1	25.4	115	178	135	206	FY-05
1 1/4"	28.5	31.8	125	178	135	216	FY-05
1 1/2"	34.8	38.1	140	178	135	218	FY-05
2"	47.6	50.8	156	178	135	227	FY-05
2 1/2"	59.5	63.5	198	210	155	285	FY-10
3"	72.2	76.2	230	309	184	330	FY-30
4"	97.6	101.6	242	309	184	343	FY-30

Size	d	D	L1	L2	B	H	执行器型号 Actuator type
1/2"	9.4	25.2	90	178	135	200	FY-05
3/4"	16	50.5	104	178	135	205	FY-05
1"	22	50.5	115	178	135	206	FY-05
1 1/4"	28	50.5	125	178	135	216	FY-05
1 1/2"	35	50.5	140	178	135	218	FY-05
2"	47.6	64	156	178	135	227	FY-05
2 1/2"	60	77.5	198	210	155	285	FY-10
3"	72.2	91	230	309	184	330	FY-30
4"	98	119	242	309	184	343	FY-30
5"	125	145	300	309	184	343	FY-30



15

气动法兰全包球阀 Pneumatic Flanged All-Encompassing Ball Valve

应用 Application

三片式全包法兰球阀是一款方便安装、拆卸及清洗的卫生型球阀，用于气体、液体等物料输送，这种阀门的应用范围包括食品、饮料以及制药和化工等领域。全通径及全包密封、阀门设计，极度减小流体阻力和残留，因此使得此阀门用于处理真空设备或黏性流体的最佳选择。

The three-piece all-flanged ball valve is a hygienic ball valve that is easy to install, disassemble and clean for the transfer of gases, liquids and other materials in the food, beverage, pharmaceutical and chemical industries. The full-bore and all-encompassing sealed, valve design minimizes fluid resistance and carryover, making this valve the best choice for vacuum equipment or viscous fluids.

技术特点 Technical Characteristics

全包式法兰球阀设计、无滞留、高洁净，满足CIP、SIP 杀菌和清洗要求、耐高温150°C, 压力25bar, 自动补偿密封设计，具有扭矩小，寿命长等特点，正常开关10万次以上，可配置各种执行结构，如电动头、卧式气动头、不锈钢立体气动，钥匙手动柄，还可以加装控制单元、定位器、位置传感器等，也可装自动控制系统。

All-inclusive flange ball valve design, no retention, high cleanliness, meet CIP, SIP sterilization and cleaning requirements, high temperature resistance 150 °C, pressure 25bar, automatic compensation seal design, with small torque, long life and other characteristics, normal switch more than 100,000 times, can be configured with a variety of executive structures, such as electric head, horizontal pneumatic head, stainless steel three-dimensional pneumatic, key manual handle, can also be installed control unit, positioner, position sensor, etc., can also be installed automatic control system.

表面处理 Surface Finish

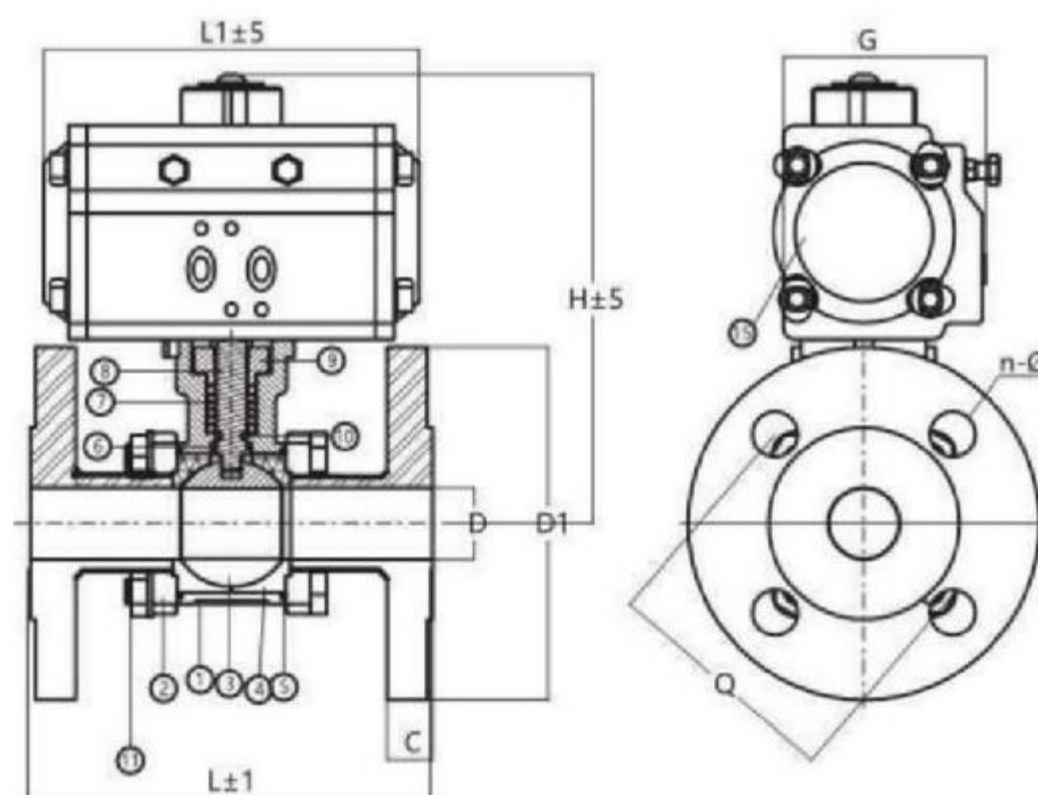
所有的表面CNC、1.6rn, 达到RA0.4cm, 电抛光可达到0.25cm。

All the surface CNC, 1.6rn, to RA0.4cm, electrical polishing up to 0.25cm.

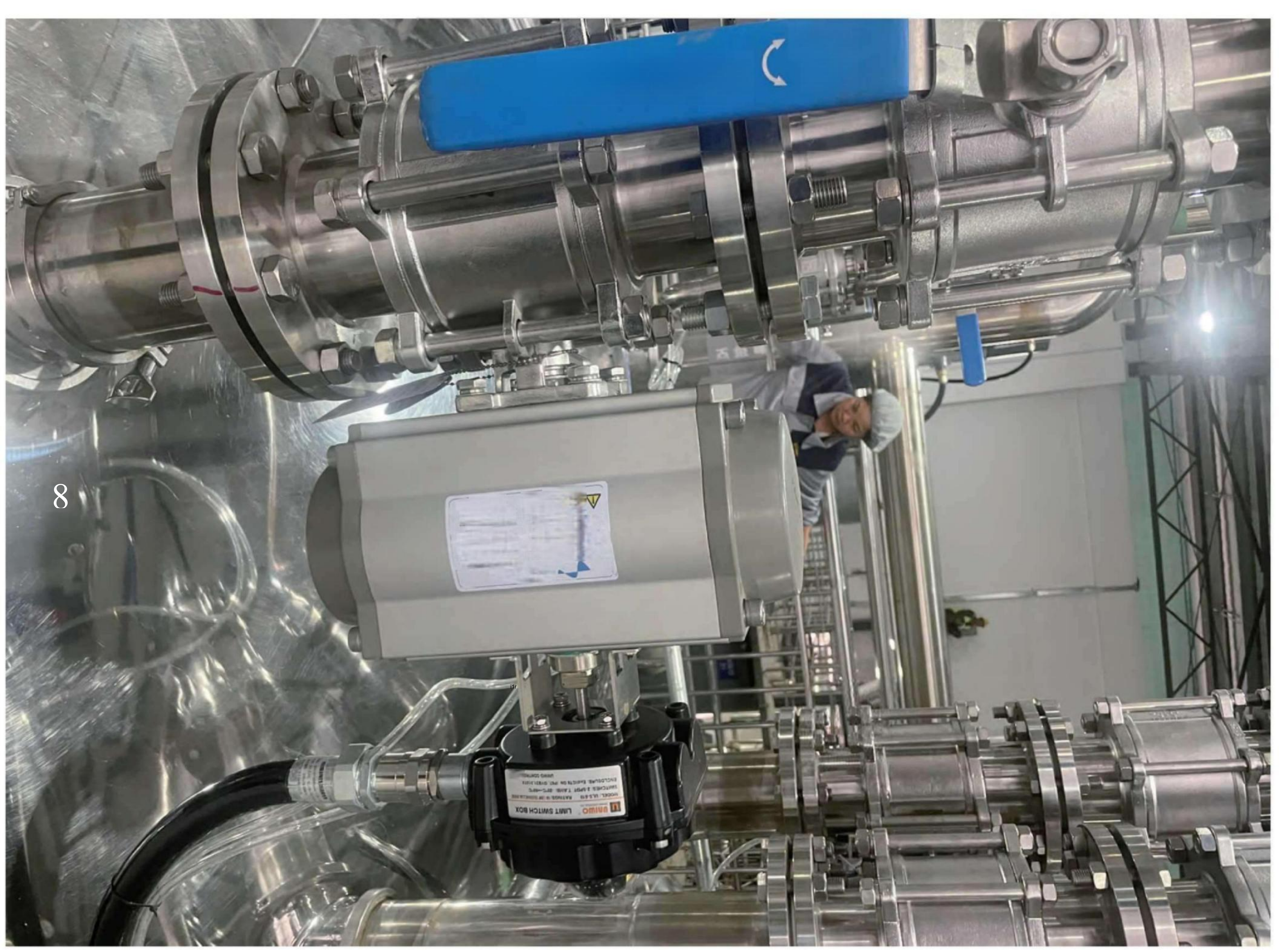
连接方式 Connection

法兰、焊接、快装、内/外螺纹

Flanges, welded, quick-install, internal/external threads



Size	L	D	D1	L1	G	C	H	n-ØL	Q
DN15	130	16	95	152	70	14	150	4-Ø14	65
DN20	140	22	105	176	83	16	161.5	4-Ø14	75
DN25	150	28	115	176	83	16	175	4-Ø14	85
DN32	170	35	140	189	98	18	192	4-Ø18	100
DN40	170	42	150	212	102	18	201	4-Ø18	110
DN50	190	53	165	249	110	18	224	4-Ø18	125
DN65	265	72	185	277	125	20	275	4-Ø18	145
DN80	265	80	200	277	125	20	275	8-Ø18	160
DN100	296	100	220	308	145	22	316	8-Ø18	180
DN125	340	125	250	407	155	22	380	8-Ø18	210
DN150	390	150	285	468	180	24	440	8-Ø22	240



方形三通无滞留球阀 Square 3-Way Non-Entrapment Ball Valve

应用 Applications

该类型球阀系列是一款卫生型的用于物料传送控制的一类阀门系列。广泛应用于食品、饮料加工、以及制药和化学工业领域。

灭菌温度: 150°C (Max20min)

内表面处理: $Ra \geq 0.4-0.8\mu m$

外表面处理: $Ra \geq 0.4-1.6\mu m$

焊接端管径: 焊接口: DIN11850-2 与11850-1/SMS/3A/ISO等系列

连接方式: 焊接, 快装, 外螺纹, 内螺纹, 法兰等

材料: 不锈钢304, 316L

密封件: PTFE 或PPL

维修方便, 球阀结构简单, 密封圈一般都是活动的, 拆卸更换都比较方便。

This type of ball valves series is a kind of sanitary valve which used to control the sanitary transfer. It is widely used in food, beverage processing, pharmaceutical and chemical industry area.

Sterilization temperature: 150°C (Max20 min)

Inside surface treatment: $Ra \geq 0.4-0.8\mu m$

Surface treatment: $Ra \geq 0.4-1.6\mu m$

The diameter welding: Welding connection: DIN11850-2 & 11850-1/SMS/3A/ISO etc

Connection Mode: welding, clamp, male and female, flange, etc.

Material: Stainless Steel 304, 316L

Seal: PTFE, PPL

Easy maintenance, simple structure of the ball valve, sealing ring is generally mobile, disassembly and replacement are more convenient.



连接方式 Connection

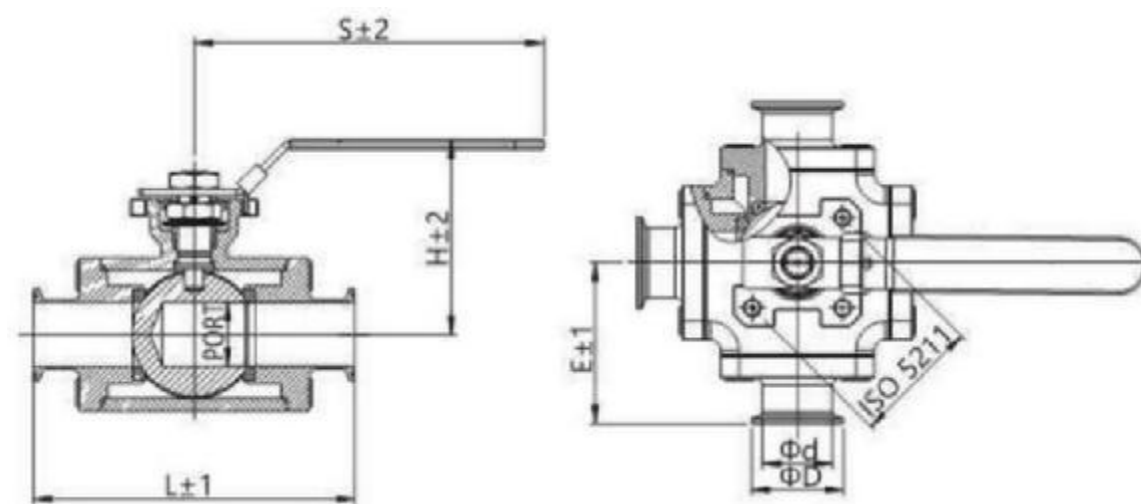
法兰、焊接、快装、内/外螺纹

Flanges, welded, quick-install, internal/external threads

三通球阀

Three way ball valve

Size	DN	L	PORT	d	D	E	H	S	ISO5211	
1/2"	DN15	110	16.0	12.7	25.2	73.7	89.0	186.5	F03	F04
3/4"	DN20	110	20.0	19.05	25.2	77.9	98.0	218.0	F05	F05
1"	DN25	130	25.0	25.4	50.5	84.4	102.0	218.0	F05	F05
1 1/4"	DN32	130	32.0	31.8	50.5	98.95	118.5	135.0	F05	F07
1 1/2"	DN40	175	38.0	38.1	50.5	110.7	127.0	135.0	F05	F07
2"	DN50	220	50.0	50.8	64.0	122.3	139.0	252.0	F07	F10
2 1/2"	DN65	240	65.0	63.5	77.5	135	165.7	252.0	F07	F10
3"	DN80	290	80.0	76.2	91.0	146.1	170.0	252.0	F07	F10
4"	DN100	330	100.0	101.6	119.0	164.0	193.0	600.0	F07	F10



气动方形三通无滞留球阀

Pneumatic Square Three-Way Non-Trapped Ball Valve

应用 Applications

该阀卫生设计，在食品加工、饮料、果汁、酿酒、生物制药等领域有着广泛的应用。三通球阀，具有非常灵活的组合，例如，L型和T型可在现场更换，进出口方向可任意组合变化都保证零死角、零滞留。

The hygienic design of the valve is widely used in the field of food processing, beverages, fruit juices, wine, biopharmaceutical and vary flexible body combinations for example, L-Port or T-Port can be interchangeable on-site inlet, outlet to be any combination of changes can guarantee dead angle, no retention.



技术规范 Technical Specifications

规格: 1"-4", DN25-DN100

材质: 1.4301/304, 316L/1.4404

垫圈: PTFE, TFM(FDA 177.1550)

最高温度: -20°C到150°C (标准) -30°C到200°C (选项)

压力范围: 10-30bar (取决于密封材质和温度)

操作方式: 手动、气动、电动

表面处理: 内表面Ra0.6 μm, 外部喷砂

认证: PED/97/23/EC, 3A, FDA

自控配置: 过程控制器/阀门定位器, 0/4-20mA, 05/10V (详见控制器目录)

(选项) 阀门顶部控制单元, AS-1 总线通讯, 接线端子连接(选项) 位置传感器

PNP NPN (选项)

Size: 1"-4", DN25-DN100

Material: 1.4301/304, 316L/1.4404

Gaskets: PTFE/TFM(FDA 177.1550)

Temperature: -20°C to 150°C (Standard)

-30°C-200°C (Option)

Pressure: 10-3-bar (Depending on seal material and temperature)

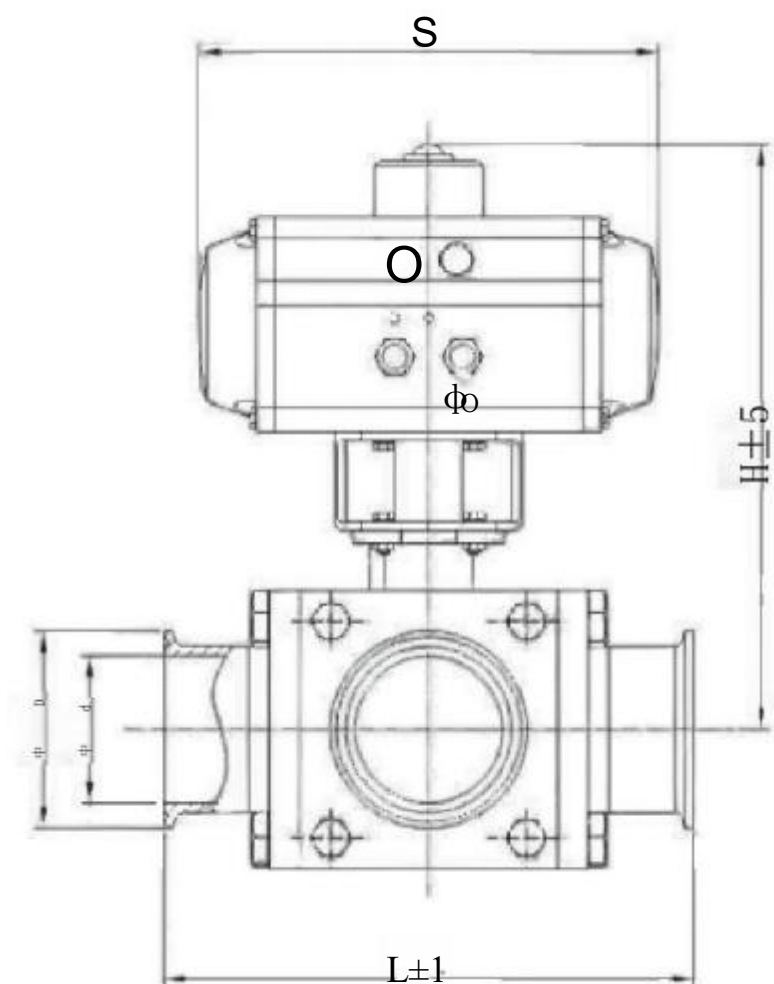
Operating modes: manual, pneumatic, electric

Surface finishing: Internal surface Ra0.6μm, external surface sand blast.

Certificate: PED/97/23/EC, 3A, FDA

Control: process controller, valve positioning (see controller directory)

C-TOP control unit. AS-1 Device Net bus communication terminal connection (options), position sensor PNP NPN (options)

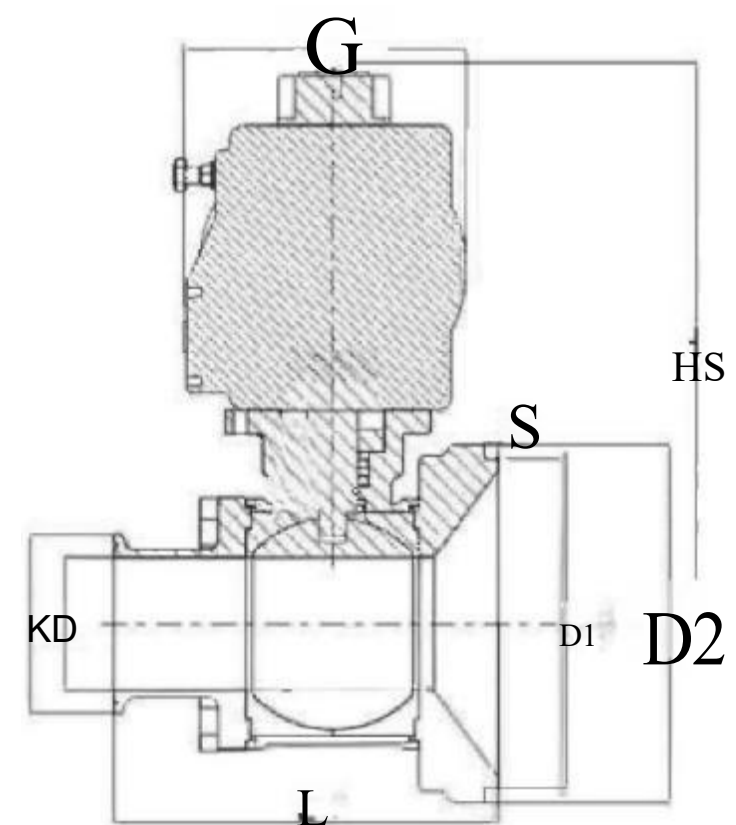


Size	DN	L	d	D	H	S
1/2"	DN15	110	12.7	25.2	120	AT52
3/4"	DN20	110	19.05	25.2	134	AT63
1"	DN25	130	25.4	50.5	155	AT63
1 1/4"	DN32	130	31.8	50.5	160	AT75
1 1/2"	DN40	175	38.1	50.5	180	AT83
2"	DN50	220	50.8	64.0	201	AT92
2 1/2"	DN65	240	63.5	77.5	211	AT105
3"	DN80	290	76.2	91.0	249	AT125
4"	DN100	330	101.6	119.0	309	AT140

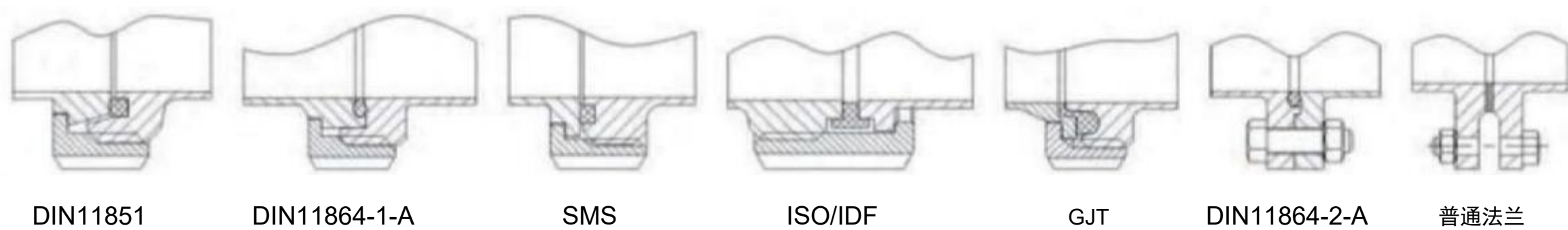
罐底球阀 Pneumatic Tank Bottom Ball Valve



Size	K	D	D1	D2	H	G	L1	S	F	P	AT	
3/4"	90	25.2	16	72	78	121	70	153	3	9×9	F05	52
1"	102	50.5	22.2	82	88	130	83	176	3	9×9	F05	63
1 1/2"	111	50.5	28.6	112	118	143	83	176	3	9×9	F05	63
1 1/2"	125	50.5	35	112	118	193	98	189	3	11×11	F05	75
1 3/4"	125	64	42	112	118	193	98	189	3	11×11	F05	75
2"	138	64	47.6	118	128	221	102	84	5	14×14	F05-07	83
2 3/4"	138	77.5	52	118	128	221	102	212	5	14×14	F05-07	83
2 1/2"	170	77.5	60	155	165	237	110	212	5	14×14	F05-07	92
3"	195	91	72.6	195	205	275	125	249	5	17×17	F07-10	105
3 1/2"	195	106	81	195	205	275	125	277	5	17×17	F07-10	105
4"	210	119	97.6	220	230	316	145	277	5	17×17	F07-10	125
5"	260	145	125	285	295	384	155	308	5	22×22	F10-12	140
6"	308	183	150	312	328	448	180	407	8	22×22	F10-12	160



各种进出口连接方式Connections



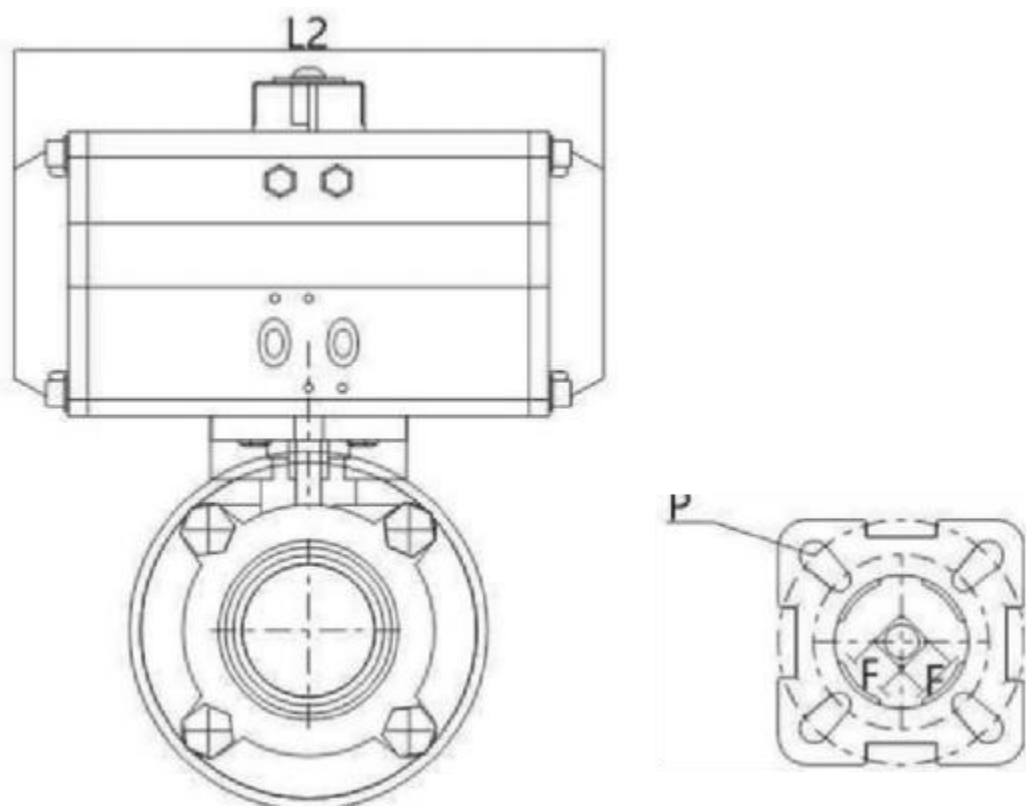
应用 Applications

该球阀是一款专门设计应用于压力容器和储罐设备的排空和放料的罐底阀门，全包裹球座和密封自动补偿设计，因此具有压力高，耐高温，扭矩小，寿命长等特点，满足于CIP和SIP清洗和杀菌。非常适合应用于高洁净要求工艺系统中如，生物制药、食品饮料、乳制品、化工等领域。

可配置各种不同执行器，如电动、气动、手动可互换。

The ball valve is a specially designed applied to pressure vessels and equipment, including tank emptying and feeding of tank bottom valve, turnkey tee and sealing automatic compensation design, therefore, with the high pressure and high temperature resistant, torque, etc, the characteristics of long service life, meet with CIP and SIP cleaning and sterilization. Very suitable for application in high clean technology system such as biological pharmacy, food and beverage, dairy products, chemical and other fields.

A configurable various actuators, such as electric, pneumatic, manual interchangeable.



连接方式 Connection

法兰、焊接、快装、内/外螺纹

Flanges, welded, quick-install, internal/external threads

高纯度球阀 High Purity Ball Valves

应用

- 惰性散装气体分布
- 用于气动应用的氮气
- 工艺真空排气
- 干燥、无油压缩空气系统
- S 型溶剂, 如异丙醇
- 可呼吸的空气

易扭矩手柄

重型长柄提供充足的杠杆作用, 可打开或关闭阀门, 防止流动的流体流动。

全流道设计

通过对阀门内部部件和连接管使用相同的口径, 可以显著降低流体流动阻力。消除对接焊缝减少污染物口袋。

超高压清洗、包装和测试

最终清洗使用18mb DI水和来自低温源的高纯度氮。每个阀门都在阀座和阀体密封的内部进行100%氦气测试。

压力等级

真空至300psig(20 bar)

测试压力: 150psig (10 bar)

泄漏试验

1×10⁻⁸ scc/sec

Application

- Inert bulk gas distribution
- Nitrogen for pneumatic applications
- Process vacuum exhaust
- Dry, oil free compressed air systems
- Solvents, e.g. isopropyl alcohol
- Breathable air

Easy-Torque Handle

The heavy-duty, long handle gives plenty of leverage to open or close the valve against flowing process fluid.

Full Port Design

Dramatically decreases fluid flow resistance, using the same bore size for both valve internal components and the connecting tube. Elimination of Butted welds reduces contaminant pockets.

UHP Cleaning, Packaging, and Testing

Final cleaning uses 18meg-ohm DI water and high-purity nitrogen from a cryogenic source. Every valve is tested with 100% helium across the seat and inboard across the body seals.

Pressure Rating

Vacuum to 300 psig(20 bar)

Test Pressure: 150 psig(10 bar)

Leak Test

1×10⁻⁸ scc/sec

手动半导体球阀

Manual Semiconductor Ball Valve

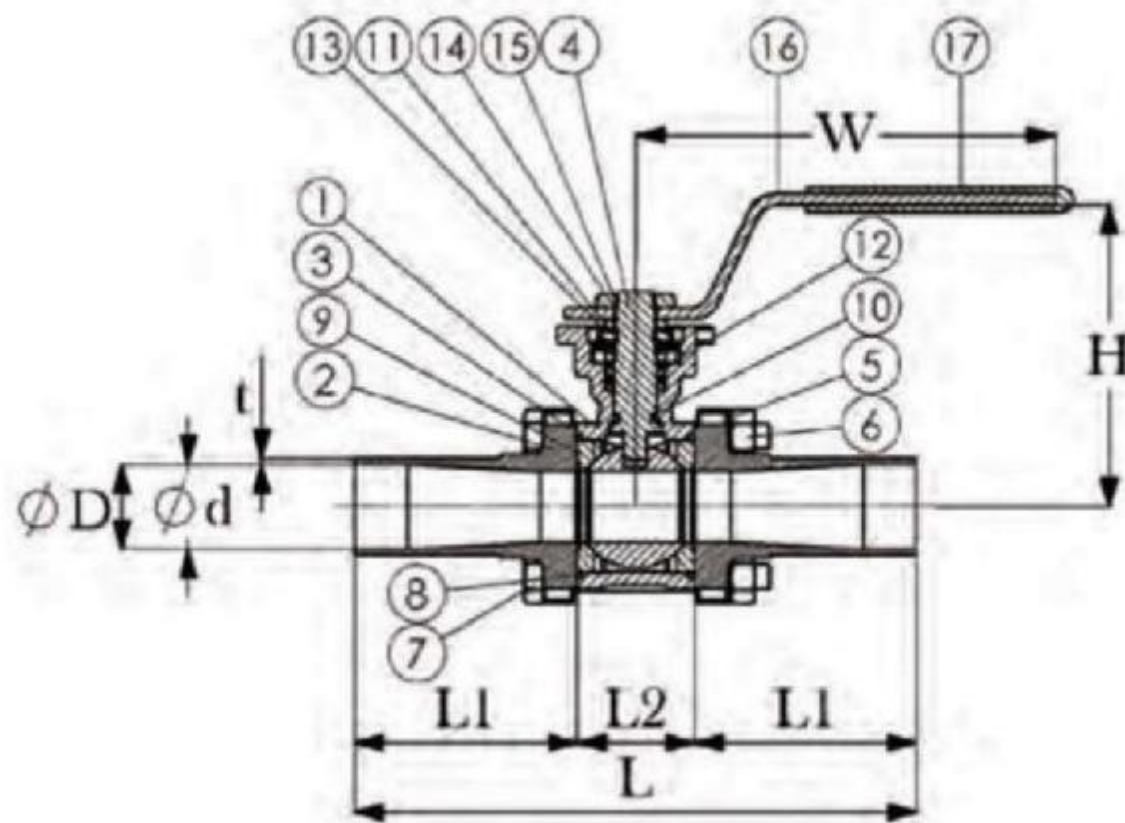
单位 (毫米)
size:mm

型号 Model NO.	Size	D	d	t	W	H	L1	L2	L
BL	15A	21.7	18.4	1.65	100	57.80	71.5	27.2	155
BL	20A	27.2	23.9	1.65	130	63.70	71.9	32.2	163
BL	25A	34.0	30.7	1.65	150	72.70	86.4	39.2	163
BL	32A	42.7	39.4	1.65	150	81.68	86.8	49.2	194
BL	40A	48.6	45.3	1.65	180	87.70	86.9	58.0	206
BL	50A	60.5	57.2	1.65	180	104.00	87.8	67.0	212
BL	65A	78.3	72.1	2.10	260	135.00	87.4	85.2	248
BL	80A	89.1	84.9	2.10	260	145.00	90.6	98.8	262
BL	100A	114.3	110.1	2.10	292	173.00	93.0	123.0	301

高纯度球阀 High Purity Ball Valves

适用于半导体行业

Applicable to semiconductor industry



结构材质

Materials of construction

单位 (毫米)

size:mm

序号 No	名称 Part Description	材质 Material	数量 Q'ty	序号 No	名称 Part Description	材质 Material	数量 Quantity
1	阀体 Body	A-351 CF8M	1	10	垫圈 Thurst Washer	RPTFE	1
2	阀盖 End Cap	A-351 CF3M	2	11	弹垫 Stem O-Ring	VITON	2
3	球芯 Ball	SUS316	1	12	压盖填料 Gland Packing	PTFE	1
4	阀杆 Stem	SUS316	1	13	压紧螺母 Gland Nut	SUS304	1
5	螺栓垫圈 Bolt Washer	SUS304	4	14	手柄垫圈 Handle Washer	SUS304	1
6	螺栓螺母 Bolt Nut	SUS304	4	15	手柄螺母 Handle Nut	SUS304	1
7	螺栓 Bolt	SUS304	4	16	手柄 Handle	SUS304	1
8	垫片接头 Joint Gasket	PTFE	2	17	手柄套 Handle Cover	VINYL	1
9	阀座 Seat	RPTFE/PTFE	2				

单位 (毫米)

size:mm

型号 Model NO.	Size	D	d	t	W	H	L1	L2	L
BL	1/2"	12.7	9.4	1.65	100	57.80	55.5	24	135
BL	3/4"	19.05	15.75	1.65	130	63.70	53.5	28	135
BL	1"	25.4	22.1	1.65	150	72.70	60	32	152
BL	1 1/4"	31.75	28.45	1.65					
BL	1 1/2"	38.1	34.8	1.65	180	87.70	69	52	190
BL	2"	50.8	47.5	1.65	180	104.00	71	62	204
BL	2 1/2"	63.5	60.2	1.65	260	135.00	90	74	254
BL	3"	76.2	72.9	1.65	260	145.00	93	94	280
BL	4"	101.6	97.38	2.10	292	173.30	117	106	340

保温球阀 Square Ball Valve

特点 Special point

保温球阀是一种比较新型的球阀类别,它有着自身结构所独有的一些优越性,如开关无摩擦,密封不易磨损,启闭力矩小。主要用糖浆、巧克力、膏体及日化等要求严格切断的工况。

Insulation ball valve is a relatively new type of ball valve, it has some advantages unique to its own structure, such as no friction switch, seal is not easy to wear, small opening and closing torque. Main use syrup, chocolate, paste and daily chemical and other conditions requiring strict cutting off.

优点 Optimal point

- 流体阻力小,其阻力系数与同长度的管段相等。
 - 结构简单、体积小、重量轻。
 - 紧密可靠,球阀的密封面材料采用进口PTFE,密封性好。
 - 操作方便,开闭迅速,从全开到全关只要旋转90°,便于远距离的控制。
 - 在全开或全闭时,球体和阀座的密封面与介质隔离,介质通过时,不会引起阀门密封面的侵蚀。
 - 适用范围广,口径从DN15-200,球旋转90度时,在进、出口处应全部呈现球面,从而截断流动。
- The fluid resistance is small and its resistance coefficient is equal to the pipe segment of the same length.
- Simple structure, small size and light weight.
- Tight and reliable, the sealing surface of the ball valve is made of imported PTFE with good sealing performance.
- Easy to operate, quick opening and closing, only 90° rotation from full opening to full closing is needed for remote control.
- When fully open or fully closed, the sealing surface of the ball and seat is isolated from the medium. When the medium passes through, it will not cause erosion of the sealing surface of the valve.
- Wide range of application, diameter from dn15-200, when the ball rotates 90 degrees, all the inlet and outlet should be spherical, thus cutting off the flow.



酿酒球阀 Square Ball Valve

应用 Applications

酿酒行业主流高端球阀的制造工艺，阀体采用耐酸、耐碱、耐腐蚀的锻件 304L、316L 材质，钢性强度高，温度作用下承受更高的酸碱，有效解决液体介质的塑化、腐蚀等行业通病。

排污口结构，安全、卫生、无死角，让酒类介质通过阀腔时，不产生氧化等不良化学反应。使阀门在工艺管道上运行更持久、更稳定。

规格：1”-4”。

驱动：手动、气动、电动

连接方式：快装、焊接、螺纹、法兰

The manufacturing process of the mainstream high-end ball valve in the brewing industry, the valve body is made of 304L and 316L forged pieces which are acid, alkali and corrosion resistant, with high steel strength and higher acid and alkali under the action of temperature, effectively solving the common problems of the liquid medium such as plasticization and corrosion.

The structure of the drain outlet is safe, sanitary and free of dead angle. When the alcohol medium passes through the valve chamber, there is no adverse chemical reaction such as oxidation. Make the valve run more durable and stable on the process pipeline.

Specification: 1"-4".

Drive: manual, pneumatic, electric

Connection mode: quick assembly, welding, thread, flange

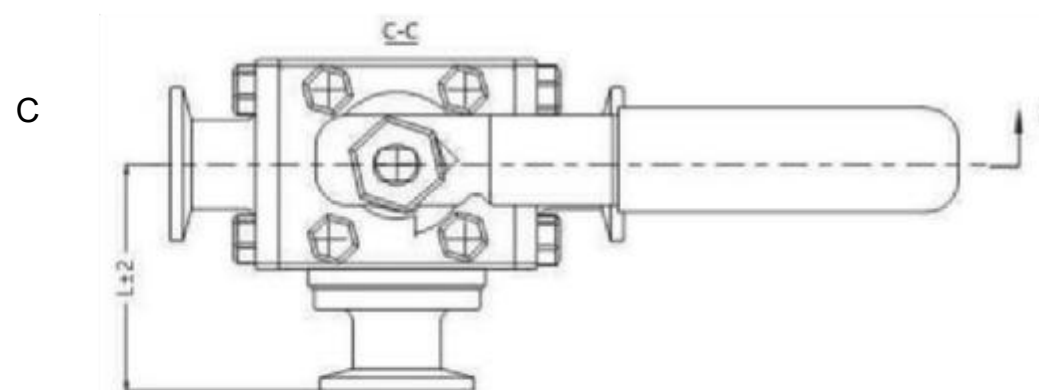
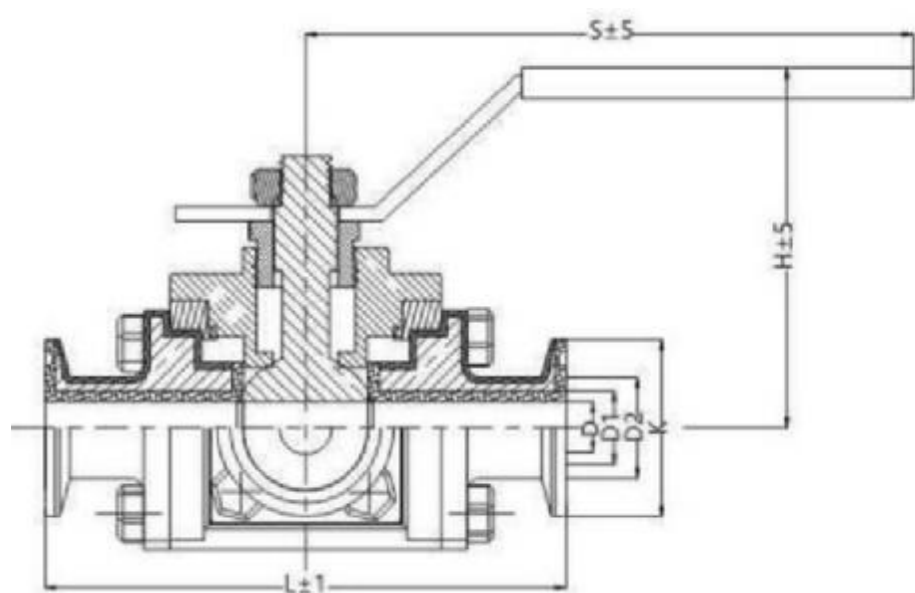


衬氟快装球阀

Fluorine-lined Quick-load Ball Valve

产品特点 Features

- 3毫米以上阀体内衬PTFE或PFA, 高抗渗透性。楔形槽锁定的防真空设计。几乎透明, 最佳的质里保证
 - 承压阀体材质可供选择
 - 永久的阀体法兰密封, 即使在最频繁的热循环条件下也有效, 阀体的密封处有足够的内衬厚度, 迷宫式密封使连接件处的控触面积最大化, 杯状及锥壮的结构的阀体能进行适当的自行定位。
 - 全通径球提供与管道相等的高Cv值。
 - 加强的PTFE阀座为阀球提供了永久的弹性承载, 保证密封气密性。
 - 防静电: 由于一体式阀杆与阀体构造及弹性的电势相等, 从而消除了任何静电积累。
 - 一体式的球/阀杆设计, 减少替在的阀球和阀杆的失效, 无滞后, 理想的流里控制。
- The valve body above 3 mm is lined with FFA or FEP,with high permeability resistance.Anti-vacuum design with wedge groove locking.Almost transparent,best quality assurance
- The material of the pressure-bearing valve body can be selected
- Permanent valve body flange seal,effective even under the most frequent thermal cycle conditions,sufficient lining thickness at the valve body seal, labyrinth seal maximizes the contact area at the connector,cup The valve body with strong and tapered structure can perform proper self-positioning.
- The full bore ball provides a high cv value equal to that of the pipe.
- The reinforced PTFE valve seat provides a permanent elastic bearing for the valve ball to ensure the air tightness of the seal.
- Anti-static:Since the one-piece valve stem and valve body have the same electric potential as the structure and elasticity,any accumulation of static electricity is eliminated.
- The integrated ball/stem design reduces the failure of the replacement valve ball and valve stem,without lag,and ideal flow control.



Size	D	D1	D2	K	L1	L	H	S
1/2"	10	16	19	34	50	100	76	135
3/4"	16	22	25.4	50.5	62.5	125	92	135
1"	22	28	31.8	50.5	75	150	102	150
1 1/2"	29	35	38.1	50.5	85	170	115	185
2"	42	48	51	63.9	100	200	130	220

衬氟三通球阀 Fluorine-lined Three-way Ball Valve

技术范围 Technical scope

工作温度: -30°C+150°C

工作压力: 1.0MPa

应用领域: 针对磨蚀性及危险性介质的切断及自控阀, 用于不锈钢无法有效抵抗其腐蚀性的场合, 替代特殊材料的金属阀, 在要求大流量场合, 具有更低的扭矩。减少维修, 降低维修成本。

适用流体: 可输送极强的化学腐蚀性介质、可耐高温、耐真空、可防静电

应用领域: 用于食品卫生、医药制药、化工化学、生物工程等行业

符合标准: 符合FDA和USF认证

Working temperature:-30°C+150°C

Working pressure:1.0 MPa

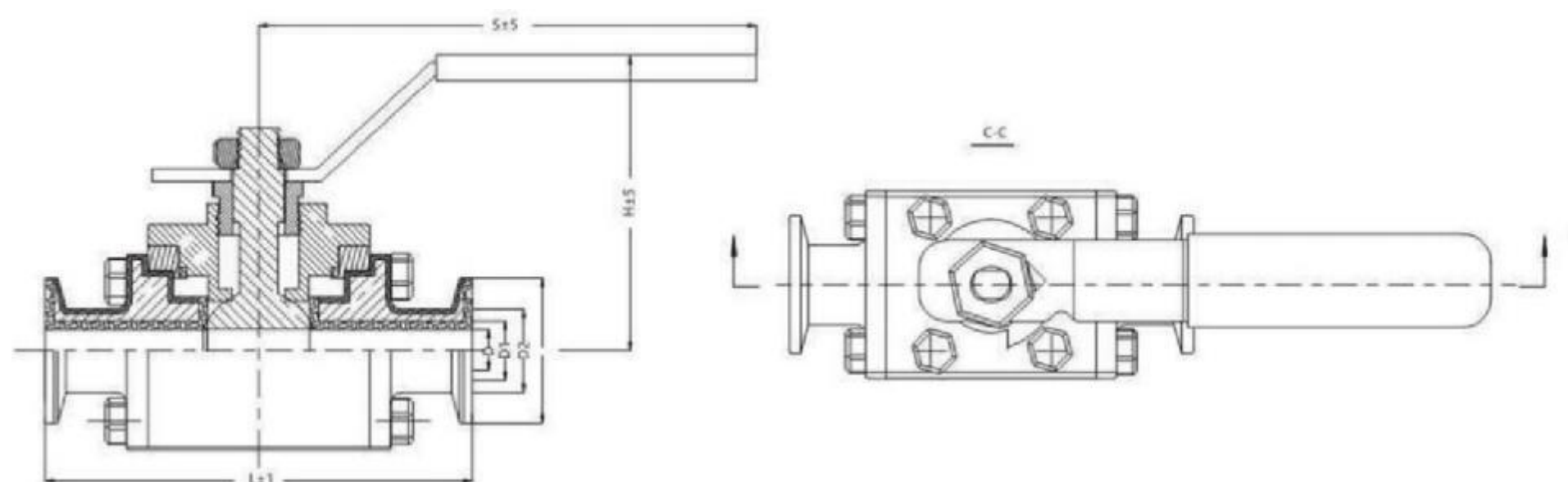
Application field:For the cutting off and automatic control of abrasive and dangerous media,it is used in the occasions where stainless steel cannot effectively resist its corrosiveness,and it can replace metal valves of special materials,and has lower torque in occasions requiring large flow.Reduce maintenance and reduce maintenance costs.

Applicable fluid:can transport extremely strong chemically corrosive medium,can withstand high temperature,vacuum resistance,and can prevent static electricity

Application areas:used in food

hygiene,pharmaceutical,chemical, biological engineering and other industries

Standards Compliant:FDA and USF compliant



Size	D	D1	D2	K	L	H	S
1/2"	10	16	19	34	100	76	135
3/4"	16	22	25.4	50.5	120	92	135
1"	22	28	31.8	50.5	140	102	150
1 1/2"	29	35	38.1	50.5	140	115	185
2"	42	48	51	63.9	190	130	220

衬氟快装弯头

Fluorine-lined Quick Fitting Elbow

应用 Application

快装卡盘符合3A 标准，管体角度为90度，采用食品级FEP 颗粒通过高温模压烧结而成。表面平整光滑，符合卫生级结构，两端卡盘采用独特的翻边工艺，使其可与不锈钢材料紧密贴合在一起，在长期使用过程中不会发生卷边的情况，温度范围为：-30℃至+150℃。

另有以下标准和材料可选：

- 1、卡盘可提供3A、BPE、SMS、DIN、ISO 等多个标准；
- 2、接头可选用SS304, SS316L 等材料；
- 3、可提供PFA 颗粒或PTFE 粉末模压而成；
- 4、可提供防静电PFA/FEP/PTFE 材料。

The quick-loading chuck conforms to the 3A standard, the angle of the tube body is 90 degrees, and it is made of food-grade FEP particles through high temperature molding and sintering. The surface is flat and smooth, conforming to the hygienic structure. The chucks at both ends adopt a unique flanging process, so that they can be closely attached to the stainless steel material, and will not be curled during long-term use. The temperature range is: -30°C to +150°C.

The following standard and village materials are also available:

1. The chuck can provide 3A, BPE, SMS, D, N, ISO and other standards;
2. The connector can be made of SS304, SS316L and other materials;
3. PFA particles or PTFE powder can be provided by molding;
4. Electrostatic PFA/FEP/PTFE materials can be provided.

技术范围 Technical scope

温度范围：-30℃至+150℃

工作压力：10bar(250psi)

颜色选择：透明色或黑色

适用流体：可输送极强的化学腐蚀性介质、可耐高温、耐真空、可防静电

应用领域：用于食品卫生、医药制药、化工化学、生物工程等行业

符合标准：符合FDA 和USP 认证

Temperature range: -30°C to +150°C

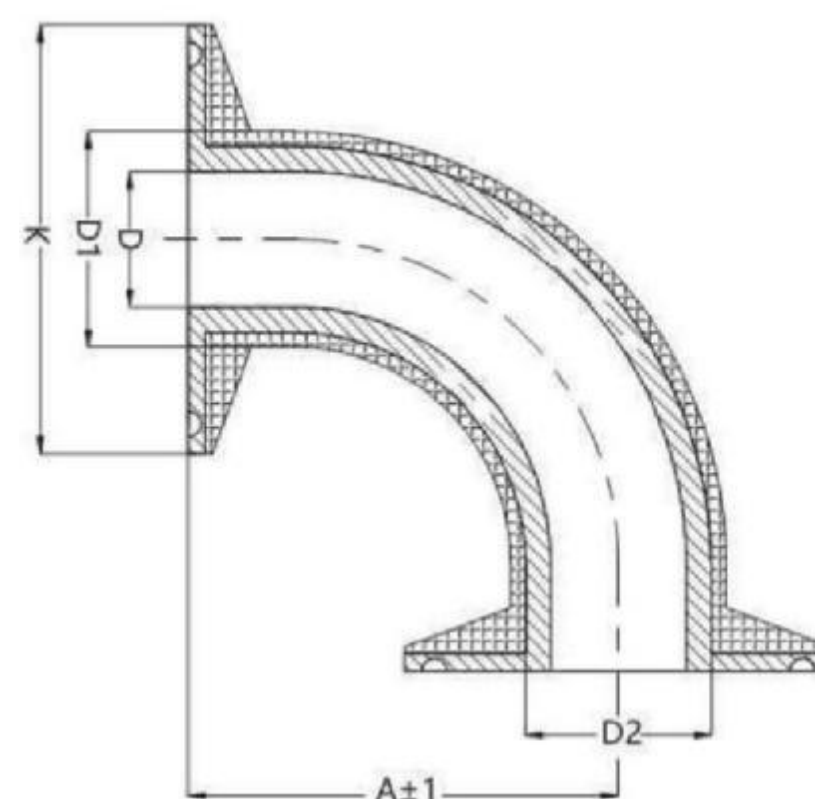
Working pressure: 10bar(250psi)

Color options: clear or black

Applicable fluid: can transport extremely strong chemically corrosive medium, can withstand high temperature, vacuum resistance, and can prevent static electricity

Application areas: used in food hygiene, pharmaceutical, chemical, biological engineering and other industries

Standards Compliant: FDA and USP compliant



Size	A	D	D1	D2	K
1/2"	36	10	19.1	16	34
3/4"	50.8	16	25.4	22	50.5
1"	66.5	22	31.8	28.5	50.5
1 1/2"	69.2	29	38.1	34.8	50.5
2"	88.2	42	51	48	63.9

衬氟三通快装弯头

Fluorine-lined Tee Quick-fit Elbow

应用 Applications

快装卡盘符合3A标准，采用食品级FEP颗粒通过高温模压烧结而成。表面平整光滑，符合卫生级结构，三端卡盘采用独特的翻边工艺，使其可与不锈钢材料紧密贴合在一起，在长期使用过程中不会发生卷边的情况，温度范围为：-30℃至+150℃。

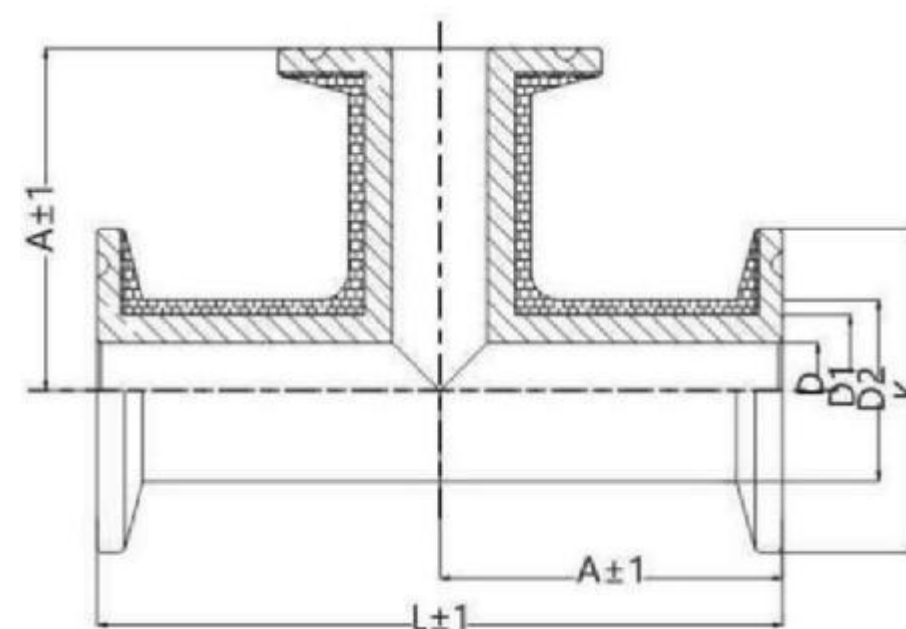
另有以下标准和材料可选：

- 1、卡盘可提供3A、BPE、SMS、DIN、ISO 等多个标准；
- 2、接头可选用SS304, SS316L 等材料；
- 3、可提供PFA颗粒或PTFE粉末模压而成；
- 4、可提供导静电PFA/FEP/PTFE材料。

The quick-loading chuck conforms to the 3A standard, and is made of food-grade FEP particles through high temperature molding and sintering. The surface is flat and smooth, conforming to the hygienic structure. The three-end chuck adopts a unique flanging process, so that it can be closely attached to the stainless steel material, and will not be curled during long-term use. The temperature range is: -30℃ to +150℃.

The following standard and village materials are also available:

1. The chuck can provide 3A, BPE, SMS, D, N, ISO and other standards;
2. The connector can be made of SS304, SS316L and other materials;
3. PFA particles or PTFE powder can be provided by molding;
4. Electrostatic PFA/FEP/PTFE materials can be provided.



技术规范 Technical Specifications

温度范围：-30℃至+150℃

工作压力：10bar(250psi)

颜色选择：透明色或黑色

适用流体：可输送极强的化学腐蚀性介质、可而高温、耐真空、可防静电

应用领域：用于食品卫生、医药制药、化工化特学、生物工程等行业

符合标准：符合FDA 和USF 认证

Temperature range: -30℃ to +150℃

Working pressure: 10bar(250psi)

Color options: clear or black

Applicable fluid: can transport extremely strong chemically corrosive medium, can withstand high temperature, vacuum resistance, anti-static

Application areas: used in food hygiene, pharmaceuticals, chemical engineering, bioengineering and other industries

Standards Compliant: FDA and USF compliant

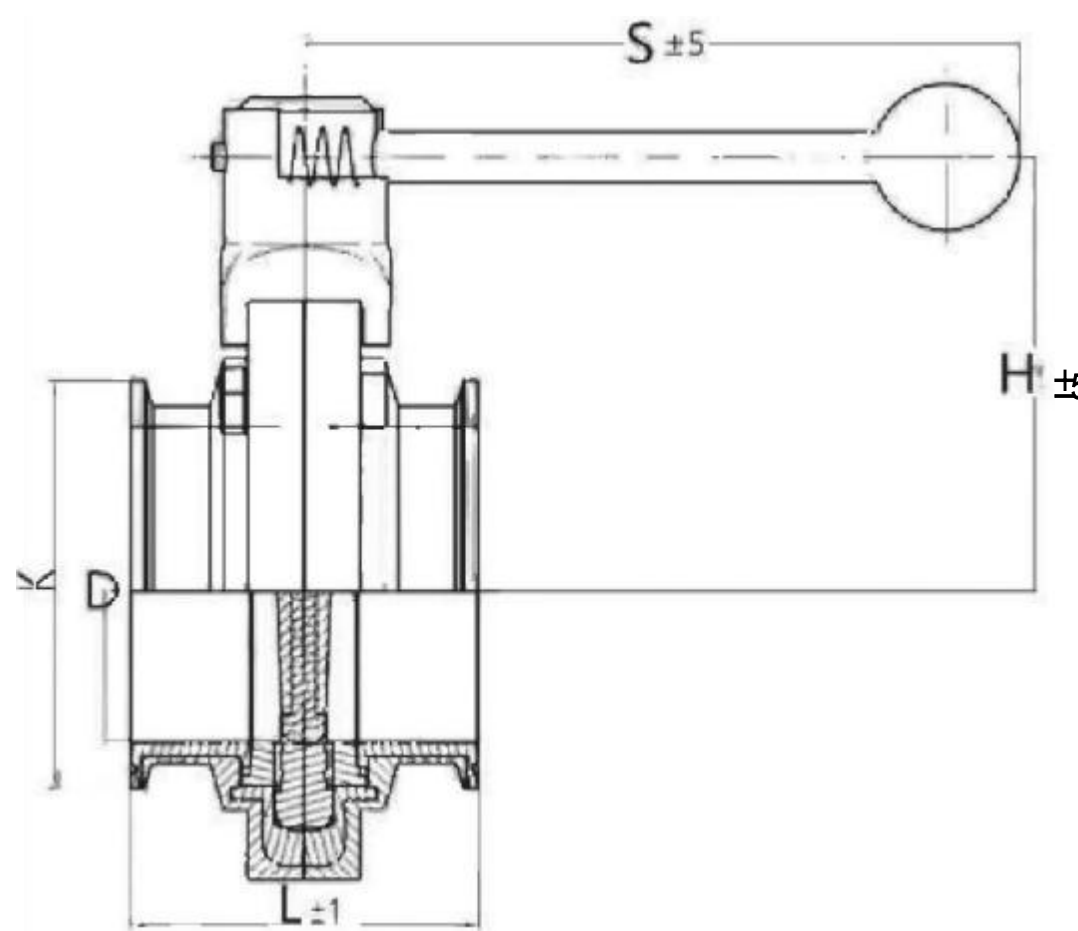
Size	D	D1	D2	A1	L	K	A
1/2"	10	16	19.1	36	72	34	36
3/4"	16	22	25.4	50.8	116	50.5	50.8
1"	22	28.5	31.8	66.5	133	50.5	66.5
1 1/2"	29	34.9	38.1	69.2	138.5	50.5	69.2
2"	42	48	51	88.2	176.5	64	88.2

衬氟快装蝶阀 Fluorine Lined Quick Installation Butterfly Valve

主要特点 Main features

- 体积小、重量轻、操作轻巧、便于安装、维修
- 密封性能优良可靠、零泄漏，使用寿命长。
- 流里特性趋于直线，调节性能优
- 结构简单，开关迅速，90° 旋转启闭
- 可代替闸阀、截止阀、旋塞阀、胶管阀及隔膜阀等各种阀门的使用
- 可根据用户要求配置气动、电动装置，满足遥控和程控的需要
- 更换零件衬里材质可适用于各种介质
- Small size, lightweight, easy to operate, easy to install and maintain
- Excellent and reliable sealing performance,
- zero leakage pain, and long service life.
- The flow characteristics tend to be straight, and the adjustment performance is excellent
- Simple structure, fast switching, 90° rotation for opening and closing
- Can replace various valves such as gate valves, globe valves, plug valves, hose valves, and diaphragm valves
- Pneumatic and electric devices can be configured according to user requirements to meet the needs of remote control and program control
- Replacing the lining material of parts can be suitable for various media

Size	D	K	L	S	H
1 1/2"	31	50.5	66	136	77
2"	46	64	70	136	85
2.5"	58	77.5	76	156	96
3"	72	91	76	156	108





2

1。

衬氟气动蝶阀

Fluorine-Lined Pneumatic Butterfly Valve

技术范围 Technical scope

工作温度: $-30^{\circ}\text{C}+150^{\circ}\text{C}$

工作压力: 1.0MPa

应用领域: 针对磨蚀性及危险性介质的切断及自控阀, 用于不锈钢无法有效抵抗其腐蚀性的场合, 替代特殊材料的金属阀, 在要求大流量场合, 具有更低的扭矩。减少维修, 降低维修成本。

适用流体: 可输送极强的化学腐蚀性介质、可耐高温、耐真空、可防静电

应用领域: 用于食品卫生、医药制药、化工化学、生物工程等行业

符合标准: 符合FDA和USF认证

阀体内部结构全衬, 蝶板和阀杆为一体衬为较厚的高分子材料使蝶阀的密封性更好, 使用寿命更长

Working temperature: $-30^{\circ}\text{C}+150^{\circ}\text{C}$

Working pressure: 1.0MPa

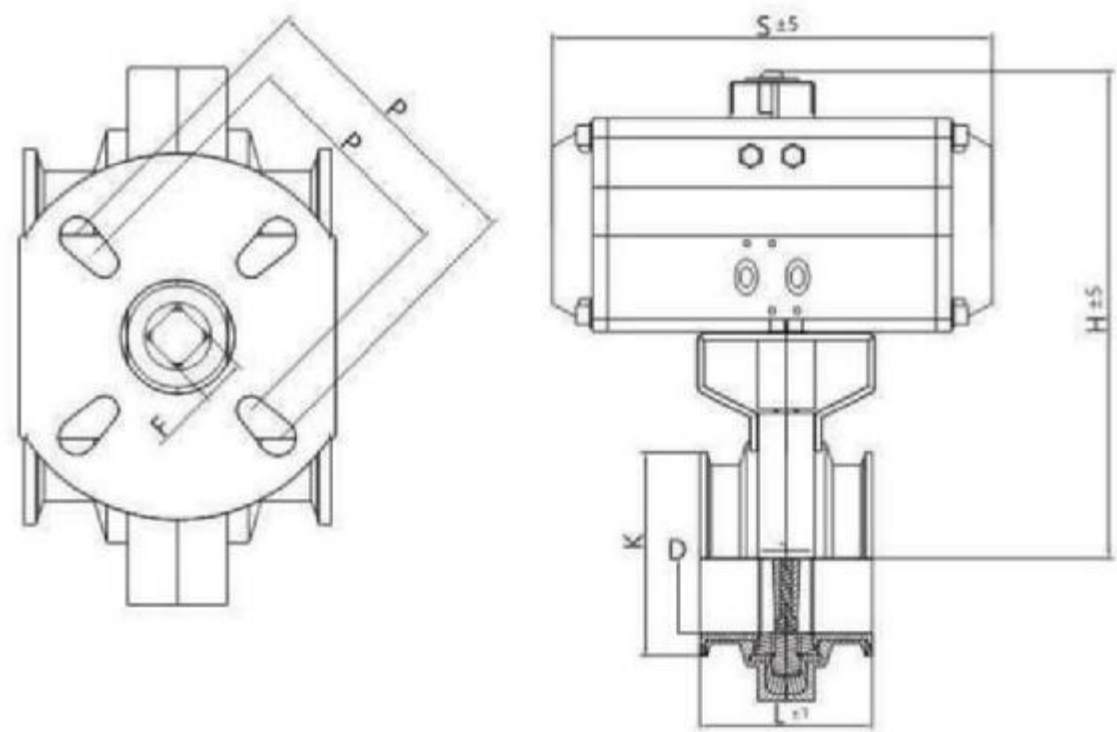
Application field: For the cutting off and automatic control of abrasive and dangerous media, it is used in the occasions where stainless steel cannot effectively resist its corrosiveness, and it can replace metal valves of special materials, and has lower torque in occasions requiring large flow. Reduce maintenance and reduce maintenance costs.

Applicable fluid: can transport extremely strong chemically corrosive medium, can withstand high temperature, vacuum resistance, and can prevent static electricity

Application areas: used in food hygiene, pharmaceutical, chemical, biological engineering and other industries

Standards Compliant: FDA and USF compliant

The internal structure of the valve body is complete, and the butterfly plate and valve stem are integrated. The thicker polymer material makes the butterfly valve better sealed and has a longer service life



Size	D	K	L	S	F	H	P
1 1/2"	31	50.5	66	176	11×11	185	F05-07
2"	46	64	70	189	11×11	208	F05-07
2.5"	58	77.5	76	221	11×11	225	F05-07
3"	72	91	76	221	11×11	234	F05-07

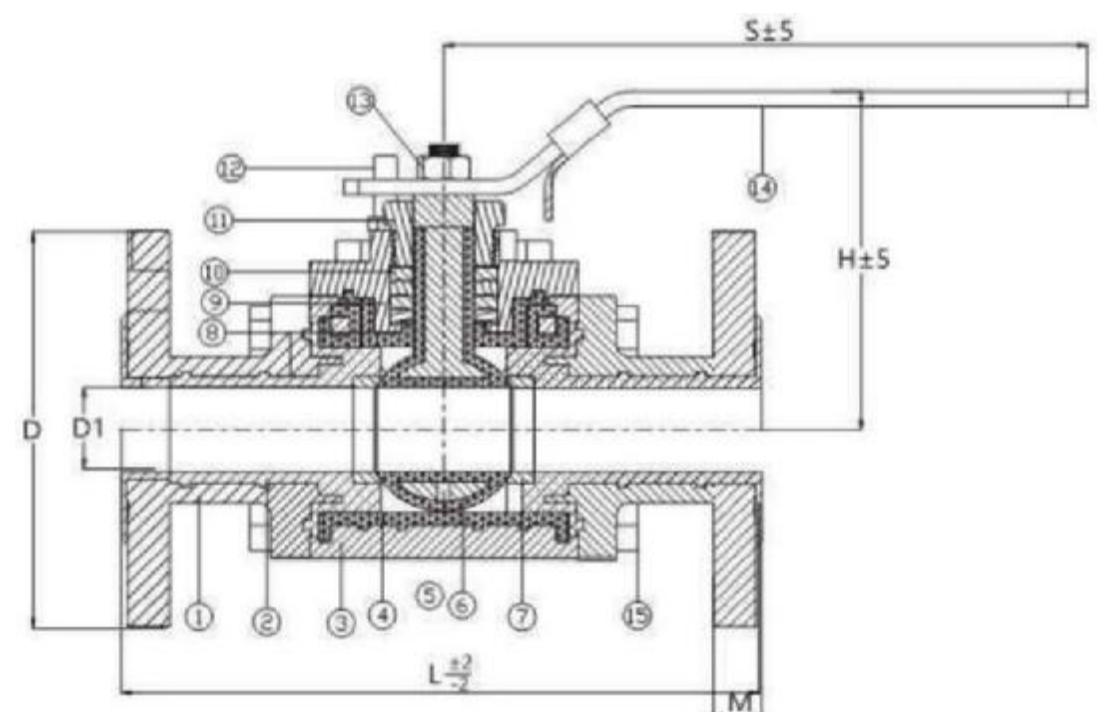
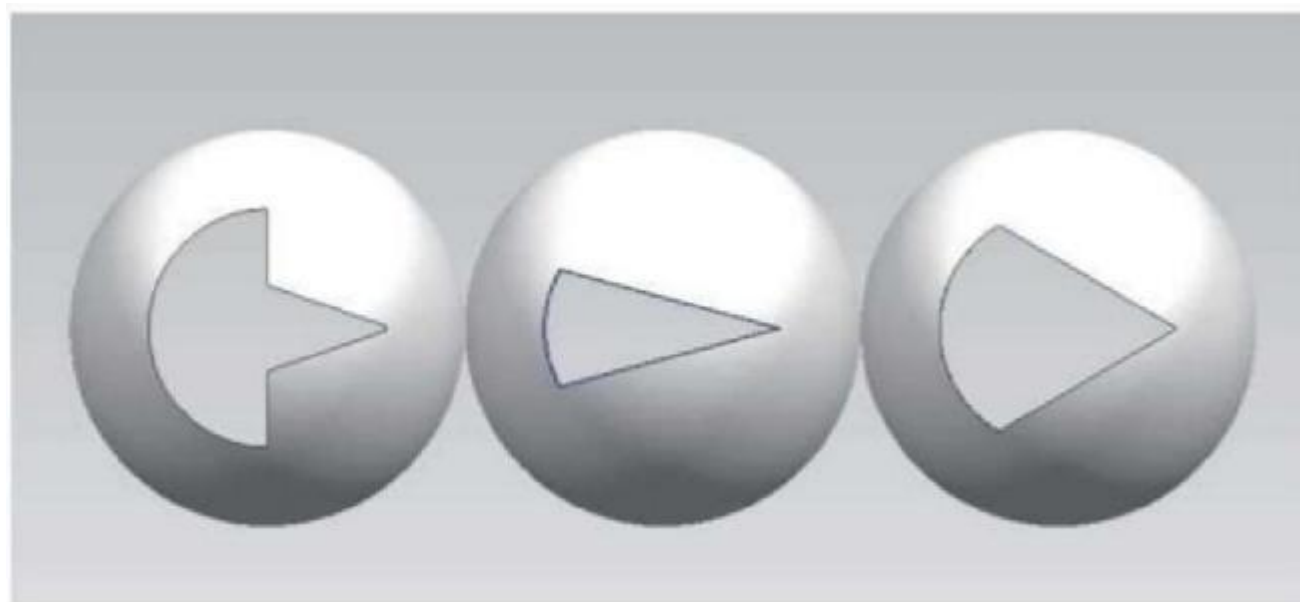
法兰衬氟调节球阀 Flange Lined Fluorine Regulating Ball Valve

技术范围 Technical scope



开关和调节原理，气动球阀通过气动执行器驱动球体旋转，实现开关功能。当气动执行器收到气信号，或电信号时驱动球体旋转从而控制流体通过或阻断，通过安装定位器控制附件可以实现对流量的调节，调节可分为模拟控制和数字控制。

The principle of switching and adjustment, the pneumatic ball valve drives the ball to rotate through the pneumatic actuator to realize the switch function. When the pneumatic actuator receives the gas signal, or the electrical signal, it drives the ball to rotate to control the fluid to pass or block, and the flow can be adjusted by installing the positioner control accessories, and the adjustment can be divided into analog control and digital control.



Size	D	D1	O-N	L	S	H	M
DN15	95	16	Ø14-4	185	170	73	14
DN25	115	25	Ø14-4	185	170	83	16
DN32	140	32	Ø18-4	205	170	95	18
DN40	150	40	Ø18-4	205	215	115	18
DN50	165	50	Ø18-4	230	215	170	20

手动/气动衬氟隔膜阀 Manual/Pneumatic Fluorine-Lined Diaphragm Valves

工作温度: $-30^{\circ}\text{C}+150^{\circ}\text{C}$

工作压力: 1.0MPa

应用领域: 针对磨蚀性及危险性介质的切断及自控阀, 用于不锈钢无法有效抵抗其腐蚀性的场合, 替代特殊材料的金属阀, 在要求大流量场合, 具有更低的扭矩。减少维修, 降低维修成本。

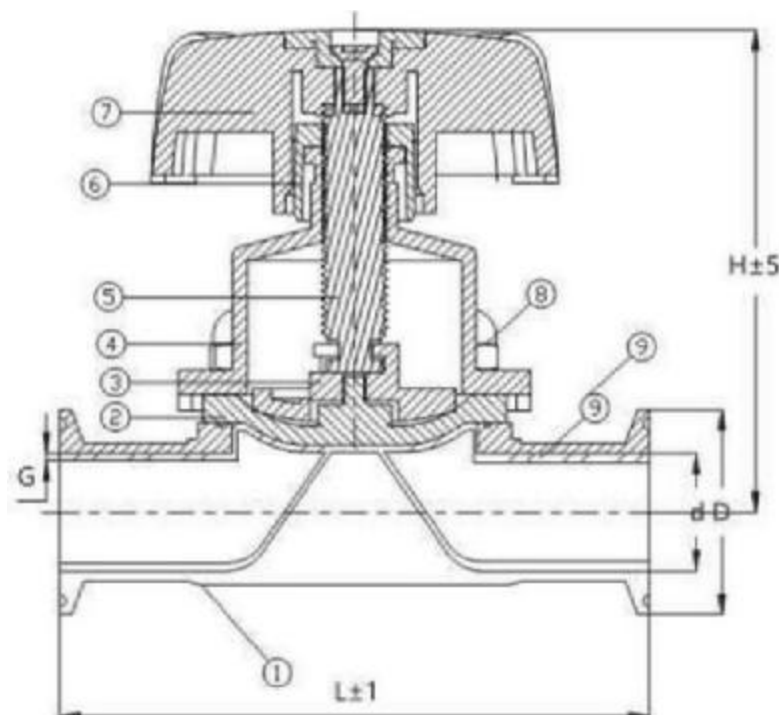
衬氟隔膜阀是一款在流道内衬料, 防腐蚀的性能。产品具有良好的节流特性, 可用于各种腐蚀性流体, 以及纤维状粉末的介质; 阀体和上盖是隔开的, 使位于隔膜阀上方的, 阀杆, 阀瓣等零件不受介质腐蚀, 省去了填料的密封结构, 且不会产生介质的外漏。

Operating temperature: $-30^{\circ}\text{C}+150^{\circ}\text{C}$

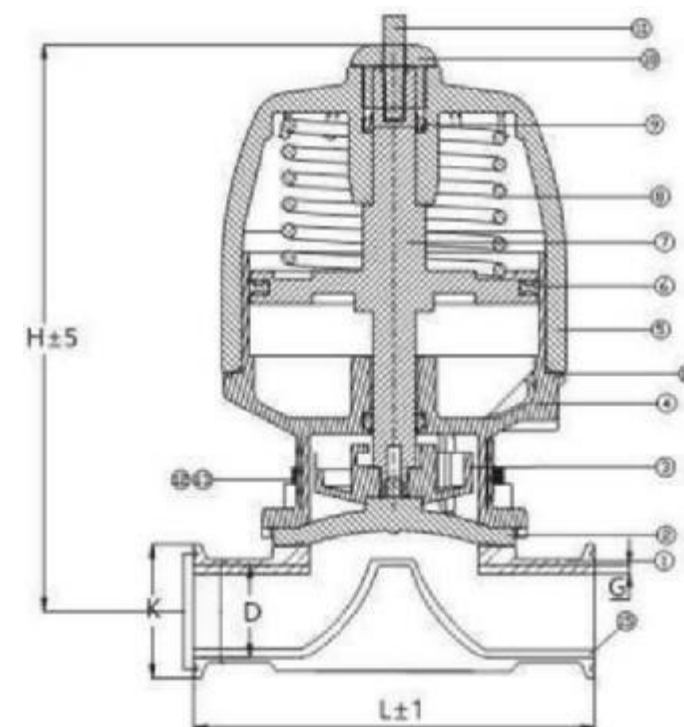
Working pressure: 1.0MPa

Applications: For abrasive and dangerous media cut-off and automatic control, used in stainless steel can not effectively resist its corrosive occasions, replace special materials of metal valves, in the case of large flow requirements, with lower torque. Reduced maintenance and lower maintenance costs.

The fluorine-lined diaphragm valve is a liner in the flow channel for corrosion-resistant performance. The product has good throttling characteristics, can be used for all kinds of corrosive fluids, as well as fibrous powder media, the valve body and the upper cover are separated, so that located above the diaphragm valve, the valve stem, disc and other parts are not corroded by the medium, eliminating the sealing structure of the packing, and will not produce the leakage of the medium.



Size	d	D	L	H	G
DN15	16	50.5	151	125	3
DN25	22	50.5	151	125	3
DN32	28	50.5	151	125	3
DN40	32	50.5	151	125	3



Size	d	K	L	H	G
DN15	16	50.5	151	226	3
DN25	22	50.5	151	226	3
DN32	28	50.5	151	226	3
DN40	32	50.5	151	226	3



衬氟球阀

Fluorine-Lined Ball Valves

应用 Applications

衬氟球阀, 衬氟塑料球阀, 内衬四氟球阀, 衬F46球阀具有耐腐蚀性能, 由于受阻于压力、和温度的影响, 不能广泛的使用到各个腐蚀领域上, 衬氟类的氟塑料包括有PO、F46、F4、PFA 为常见的, 衬氟阀门。

Fluorine lined ball valves, fluorine lined plastic ball valves, PTFE lined ball valves, and F46 lined ball valves have corrosion resistance. Due to the influence of pressure and temperature, they cannot be widely used in various corrosion fields. Fluorine lined plastic valves, including PO, F46, F4, and PFA, are common.

概述 Overview

衬氟球阀, 衬氟球阀就是将通用的浮动球阀进行更改, 使阀体的内壁、内件外部全都覆盖上氟塑料, 有介质接触的地方都衬有氟塑料, 从而达到耐腐蚀性能。

Fluorine lined ball valve, fluorine lined ball valve is a modification of the universal floating ball valve, so that the inner wall and outer parts of the valve body are all covered with fluoroplastics, and the areas in contact with the medium are lined with fluoroplastics to achieve corrosion resistance.

适用范围 Applicable scope

衬氟球阀, 衬氟球阀就是将通用的浮动球阀进行更改, 使阀体的内壁、内件外部全都覆盖上氟塑料, 有介质接触的地方都衬有氟塑料, 从而达到耐腐蚀性能。

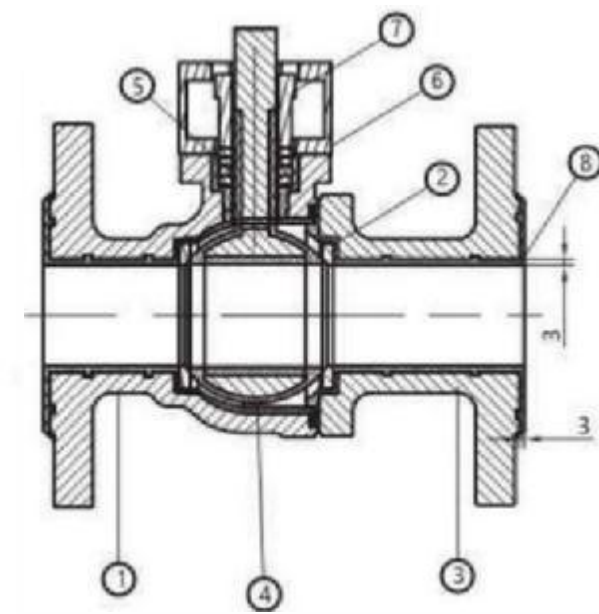
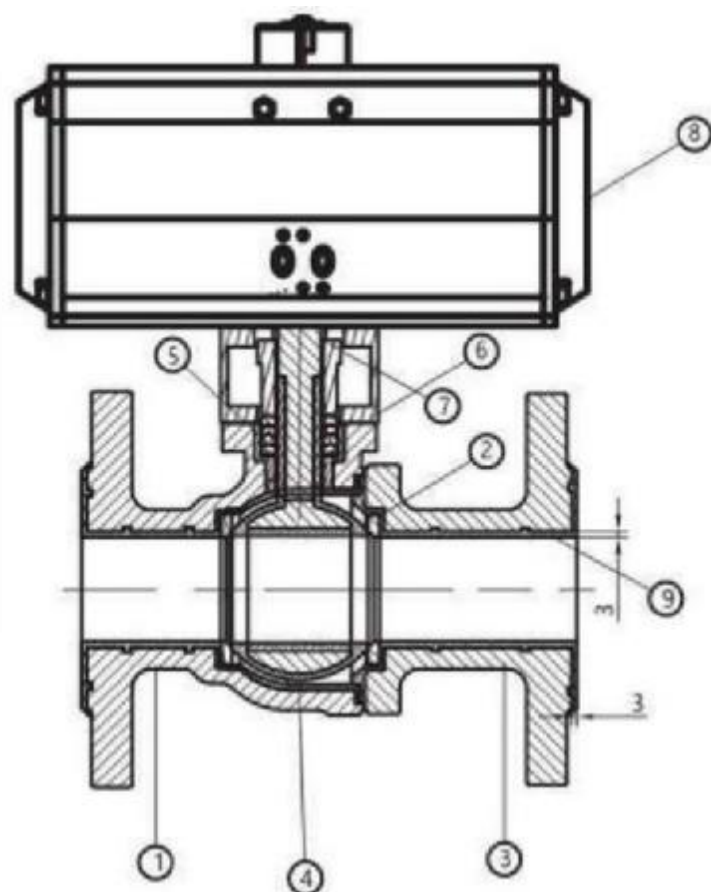
Fluorine lined ball valve, fluorine lined ball valve is a modification of the universal floating ball valve, so that the inner wall and outer parts of the valve body are all covered with fluoroplastics, and the areas in contact with the medium are lined with fluoroplastics to achieve corrosion resistance.

基本型号 Basic model

手动: Q41F4、Q41F46
蜗轮: Q341F4、Q341F46
气动: Q641F4、Q641F46
电动: Q941F4、Q941F46
Manual: Q41F4, Q41F46
Worm gear: Q341F4, Q341F46
Pneumatic: Q641F4, Q641F46
Electric: Q941F4, Q941F46

技术规范 Technical specifications

设计标准: GB12237
结构长度: GB12221
法兰标准: JB/T79-94、GB9113.1-26
检验试验: GB/T26480—2011
驱动方式: 手动、电动、气动、蜗轮
阀的检验和试验 GB/T26480—2011 的规定
Design standard: GB12237
Structure length: GB12221
Flange standard: JB/T79-94, GB9113.1-26
Inspection test: GB/T26480-2011
Drive mode: manual, electric, pneumatic, worm gear
Valve inspection and testing GB/T26480-2011 provisions



序号	代号	零件名称	数量	材料
01	AQ41F-1000P-3D-01	阀体	1	304
02	AQ41F-1000P-3D-02	密封	2	PTFE
03	AQ41F-1000P-3D-03	阀盖	1	304
04	AQ41F-1000P-3D-04	球体	1	304
05	AQ41F-1000P-3D-05	填料	4	PTFE
06	AQ41F-1000P-3D-06	支架	1	304
07	AQ41F-1000P-3D-07	压盖	1	304
08	AQ41F-1000P-3D-08	执行器	1	
09	AQ41F-1000P-3D-09	通经衬氟		

序号	代号	零件名称	数量	材料
01	AQ41F-1000P-3D-01	阀体	1	304
02	AQ41F-1000P-3D-02	密封	2	PTFE
03	AQ41F-1000P-3D-03	阀盖	1	304
04	AQ41F-1000P-3D-04	球体	1	304
05	AQ41F-1000P-3D-05	填料	4	PTFE
06	AQ41F-1000P-3D-06	支架	1	304
07	AQ41F-1000P-3D-07	压盖	1	304
08	AQ41F-1000P-3D-08	手柄	1	304
09	AQ41F-1000P-3D-09	通经衬氟		

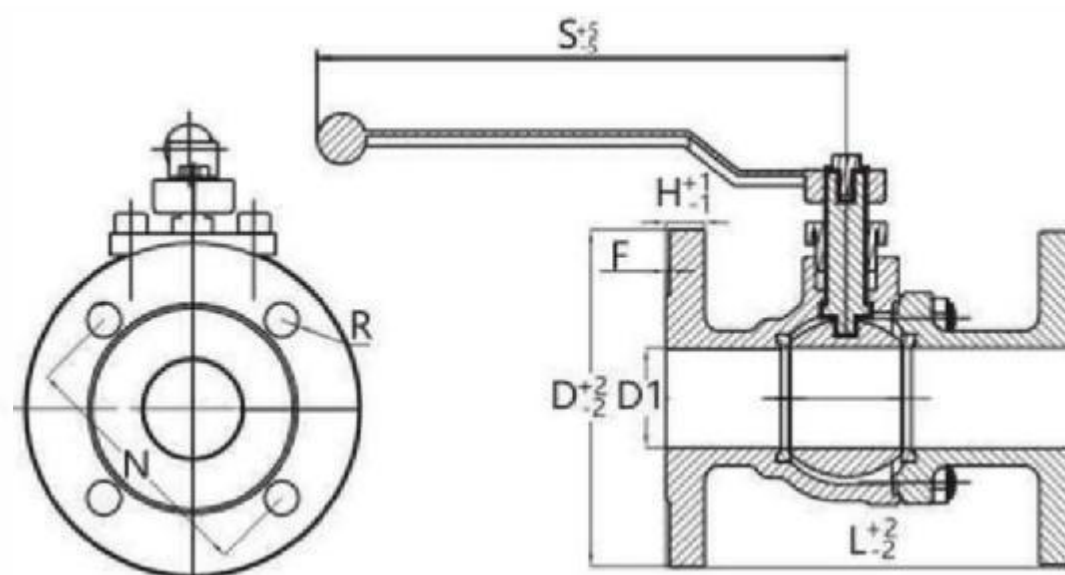
手动/气动球阀 (Q41F-16P) Manual/Pneumatic Ball Valve

技术范围 Technical scope

驱动方式：手动、可配驱动(气动、电动)
 公称通径：DN15~DN300
 公称压力：1.0MPa， 可以定制1.0MPa 以上更高压力
 适用温度：国产 PTFE-10~100°C、 进口PTFE-10~150°C
 密封材质可选硬质合金密封(可配球体渗氮工艺，温度可耐350°C，配球体镀硬铬Ni60 工艺，温度可耐500°C)
 适用介质：气体、水、油
 可选附件：限位开关、定位器、电磁阀、过滤调压阀、手轮
 阀体材质：铸钢、CF8(304)、CF3(304L)、CF8M(316)、CF3M(316L)

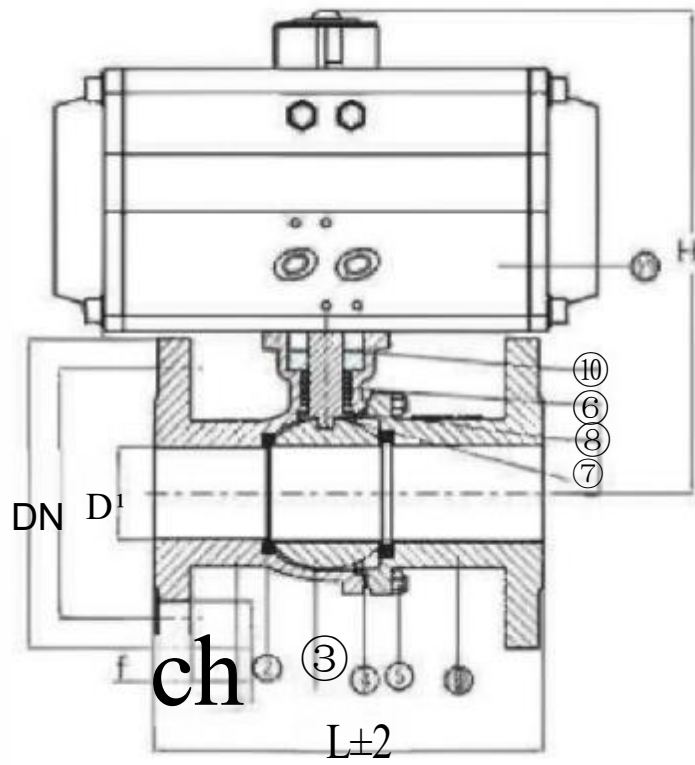


Size	L	D1	D	H	R	N	F	S
DN15	130	15	95	14	Ø14×4	65	2	160
DN20	130	20	105	14	Ø14×4	75	2	160
DN25	150	25	115	16	Ø14×4	85	2	175
DN32	165	32	140	16	Ø18×4	100	2	175
DN40	180	40	150	18	Ø18×4	110	2	210
DN50	202	50	165	18	Ø18×4	125	2	210
DN65	222	65	185	20	Ø18×8	145	2	260
DN80	241	80	200	20	Ø18×8	160	2	260
DN100	305	100	220	22	Ø18×8	180	2	290





防火、防静电、除油、脱脂
Fire prevention, anti-static, degreasing, degreasing



Size	L	D	N	D1	C	f	n-Ø	F	P
DN15	130	95	65	15	14	2	4-Ø14	9×9	F05
DN20	130	105	75	20	16	2	4-Ø14	9×9	F05
DN25	140	115	85	25	16	2	4-Ø14	11×11	F05
DN32	165	140	100	32	18	2	4-Ø18	11×11	F05
DN40	165	150	110	40	18	2	4-Ø18	11×11	F05-07
DN50	202	165	125	50	20	2	4-Ø18	14×14	F05-07
DN65	222	185	145	65	20	2	8-Ø18	17×17	F07-10
DN80	241	200	160	80	20	2	8-Ø18	17×17	F07-10
DN100	305	220	180	100	22	2	8-Ø18	19×19	F07-10



无菌隔膜阀 Aseptic Diaphragm Valve



Parts List	
No.	Description
01	盖帽Cap
02	手轮Handwheel
03	螺钉Screw
04	阀杆Valve Rod
05	阀盖Valve Cap
06	阀芯Valve Core
07	膜片Diaphragm
08	阀体Valve Body
09	螺母Nut



隔膜片 Diaphragm

技术参数

工作压力: 0-10bar
 工作温度: -40~150°C
 驱动机构: 手动控制
 密封材质: EPDM, EPDM+TFM
 阀体设计: 直通阀体设计
 阀体材质: 316L (铸造, EN1.4409 CF3M)
 接口尺寸: DN20/DN80
 接口方式: WH650-1: 焊式、WH650-2: 快装式;
 表面处理: 外表面 $Ra \leq 0.5 \mu m$ (SF1),
 内表面 $Ra \leq 0.375 \mu m$ (SF4)
 接口标准: ISO, DIN, ASME BPE.3A, BS



黑色EPDM



黑色加白色EPDM+PTFE粘合



黑色加白色EPDM+PTFE二层分体式

Technique parameter

Working pressure: 0-10bar
 Working temperature: -40~150°C
 Drive mechanism: manual control
 Seal material: EPDM+TFM, EPDM
 Body design: straight through valve design
 Body material: 316L (casting, CF3M EN1.4409)
 Interface size: DN20/DN80
 Interface type: WH650-1 type, WH650-2: card
 Surface treatment: the outer surface of Ra is less than or equal to 0.5m(SF1),
 The inner surface of Ra is less than or equal to 0.375m(SF4)
 Interface standard: ISO, DIN, BPE.3A BS, ASME

EPDM

温度特征: 此特征一般为温度100°C以内, 消毒时间为40分钟左右
 应用: 结晶水

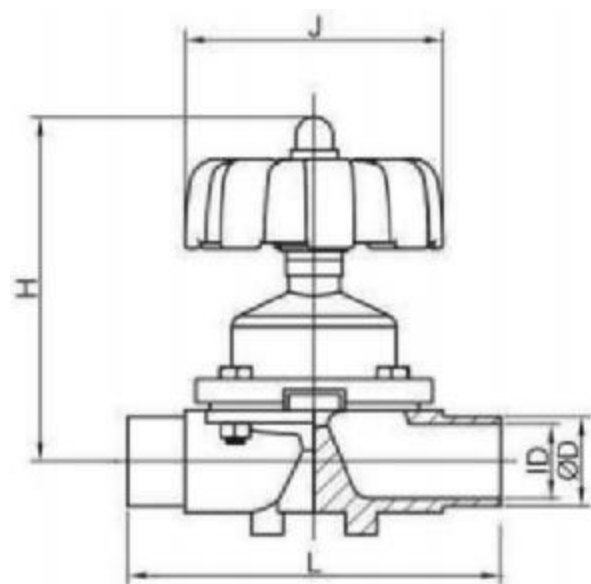
EPDM+PTFE粘合式

温度特征: 此特征一般为温度150°C以内, 消毒时间为40分钟左右
 应用: 针剂水、无菌蒸汽

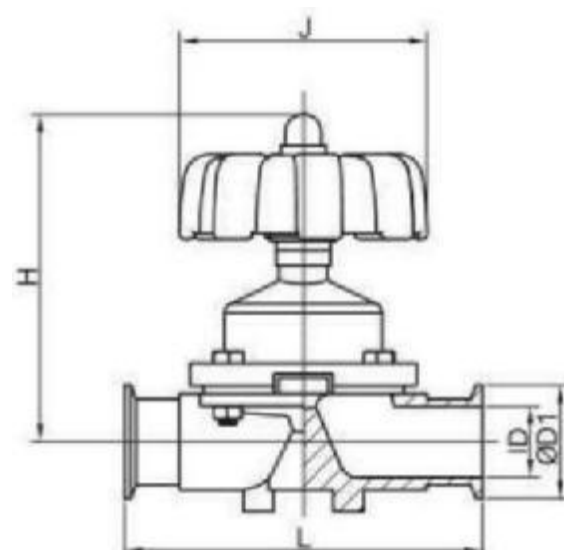
EPDM+PTFE分体式

温度特征: 此特征一般为温度160°C以内, 消毒时间为40分钟左右
 应用: 针剂水、无菌蒸汽

卫生级隔膜阀 Sanitary Diaphragm Valve



Size	φD	φD1	ID	L	H	J
DN15	19.1	—	15.8	108	95	65
DN20	22	—	18.1	116	105	90
DN25	28	—	22.1	128	110	90
DN32	35	—	28.5	145	140	110
DN40	40	—	34.8	150	140	110
DN50	52	—	47.5	179	170	130
DN65	67	—	60.3	200	200	180
DN80	88	—	81	256	220	180



Size	ΦD	φD1	ID	L	H	J
DN15	二	50.5	15.8	108	95	65
DN20	—	50.5	18.1	117	105	90
DN25	—	50.5	22.1	127	110	90
DN32	—	50.5	28.5	145	140	110
DN40	—	50.5	34.8	150	140	110
DN50	—	64	47.5	179	170	130
DN65	—	77.5	60.3	200	200	180
DN80	—	106	81	256	220	180

驱动器

类型: WH650

尺寸: DN20-DN80

主要材质: 不锈钢阀帽、支座、阀杆、PC 手轮

状态显示: 手动开关状态显示如图

Drive

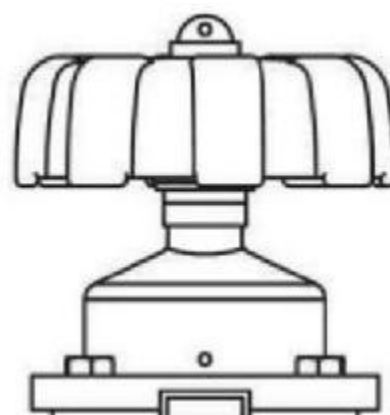
Type: WH650

Size: DN20-DN80

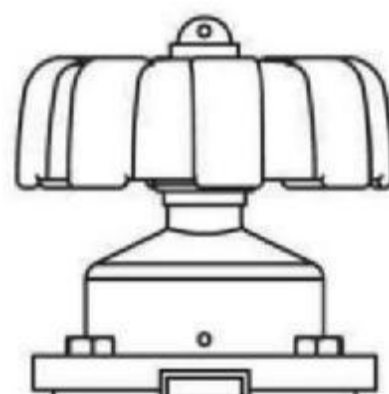
Main material: stainless steel valve cap, bearing, valve stem, PC hand wheel

Status display: manual switch status display

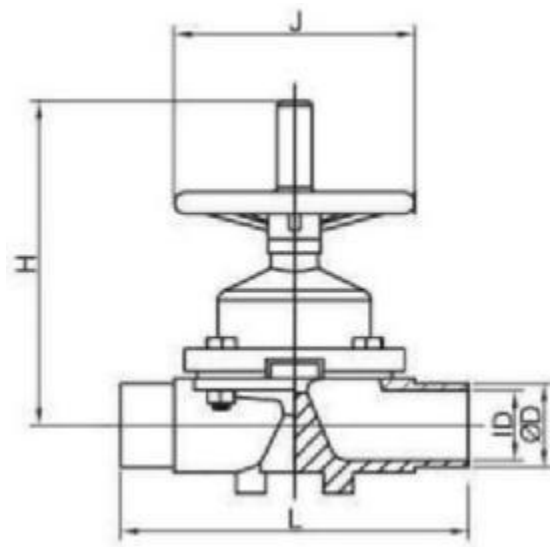
open



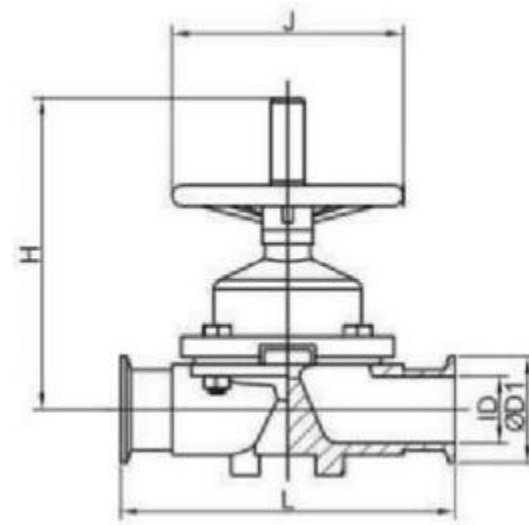
close



SIZE	DN20	DN25	DN40	DN50
open	11	14	22	28
close	1	1	1	1



Size	φD	φD1	ID	L	H	J
φ63.5	63.5	-	59.5	200	264	180
φ76	76.2		72.5	256	269	180
φ89	88.9		84.9	256	274	180



Size	φD	φD1	ID	L	H	J
φ63.5		77.5	59.5	200	264	180
φ76		91	72.5	256	269	180
φ89		106	84.9	256	274	180

驱动器

类型: WH-PC651

尺寸: DN65-DN80

主要材质: 不锈钢手轮、壳体、阀杆、支座、PC 显示盖

状态显示: 手动开关状态显示如图

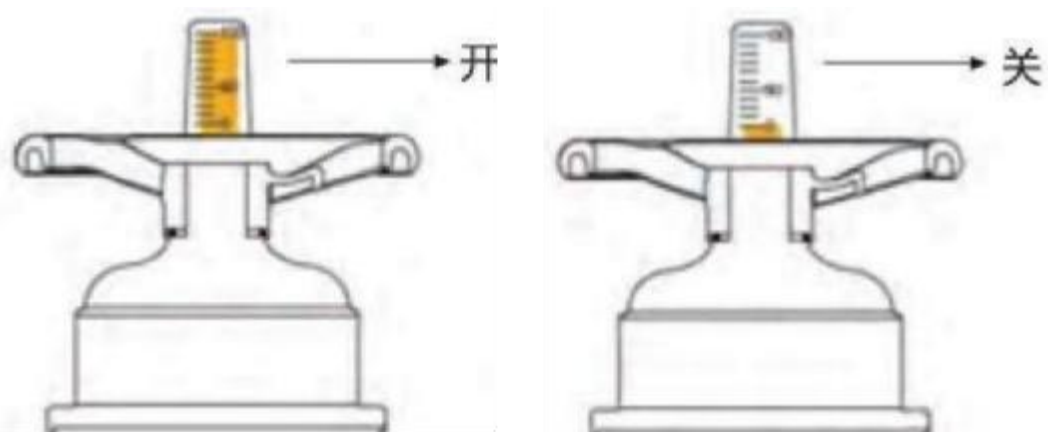
Drive

Type: WH-PC651

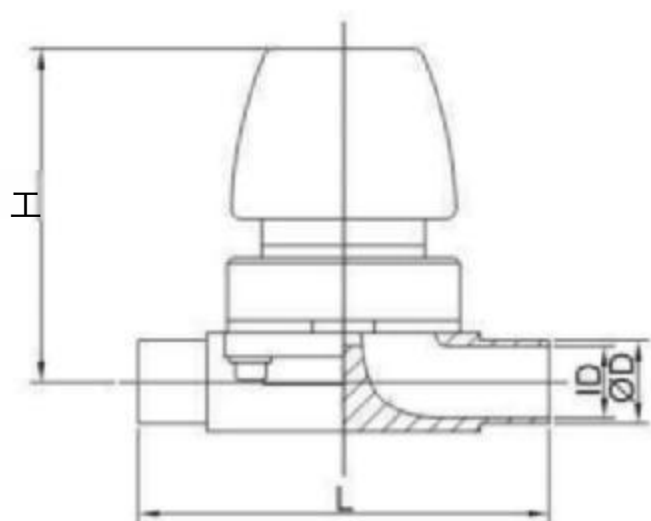
Size: DN65-DN80

Main material: stainless steel hand wheel, shell, valve stem, support, PC display cover

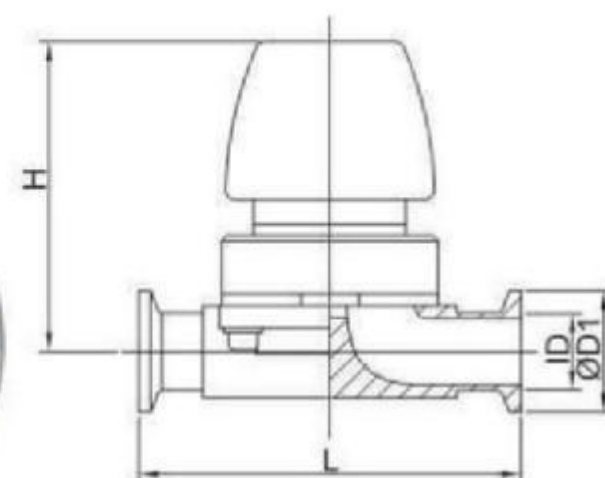
Status display: manual switch status display



迷你型手动隔膜阀 Mini Manual Diaphragm Valve



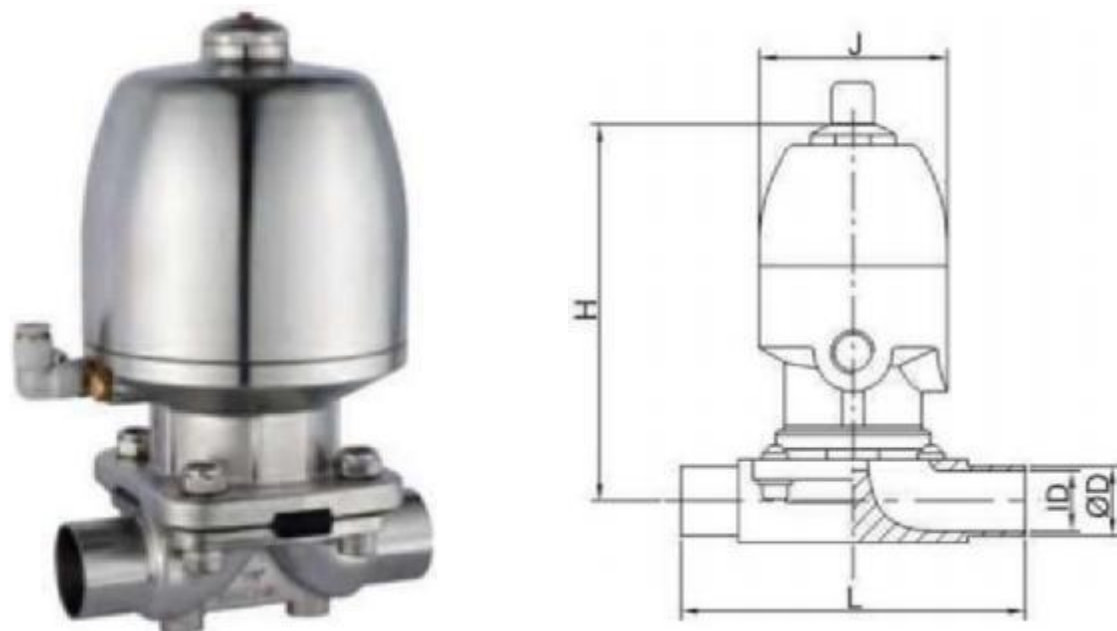
Size	ΦD	ΦD1	ID	L	H	J
DN8-DN10	12.7	-	9.4	72	55	35



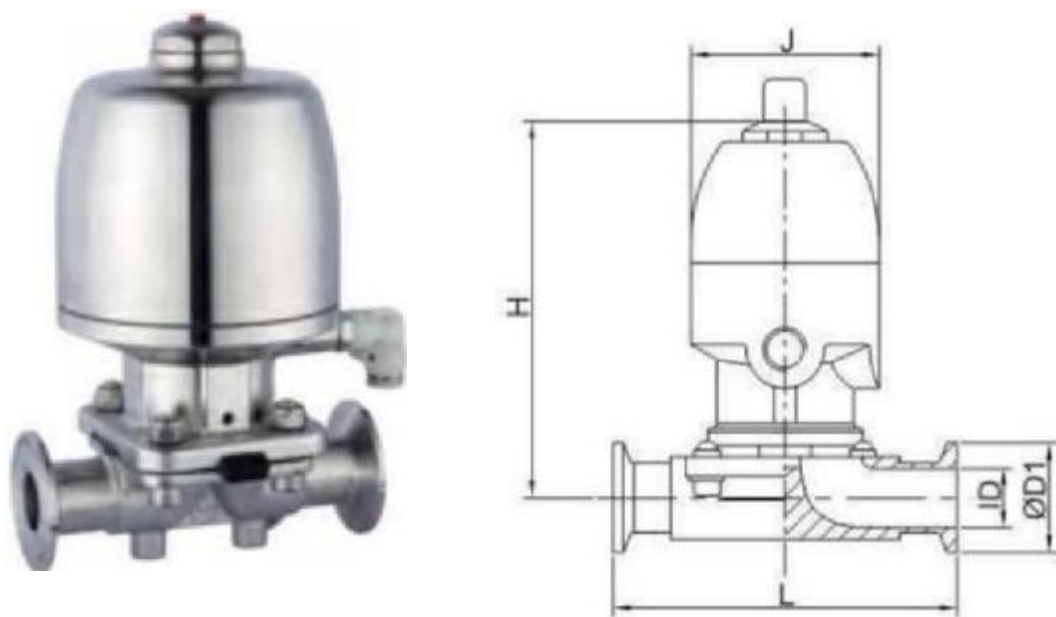
Size	ΦD	ΦD1	ID	L	H	J
DN8-DN10	-	25.4	9.4	72	55	35



气动隔膜阀 Sanitary Pneumatic Diaphragm Valve



Size	φD	φD1	ID	L	H	J
DN20	22		18.1	116	128	96
DN25	28	-	22.1	128	128	96
DN32	35	-	28.5	145	210	110
DN40	40	-	34.8	150	210	110
DN50	52	-	47.5	179	260	137
DN65	67	-	60.3	200	310	157
DN80	88	-	81	256	310	157



Size	φD	φD1	ID	L	H	J
DN20		50.5	18.1	117	128	96
DN25	-	50.5	22.1	128	128	96
DN32	-	50.5	28.5	145	210	110
DN40	-	50.5	34.8	150	210	110
DN50	-	64	47.5	179	260	137
DN65		77.5	60.3	200	310	157
DN80		106	81	256	310	157

驱动器 Drive

类型: WH-SS654

尺寸: DN15-DN80

主要材质: PC 显示盖、不锈钢支座、阀杆、壳体

状态显示: 气动开关状态显示如图

信号反馈: 可加装FBS、FBS-SVC (电磁阀智能控制)

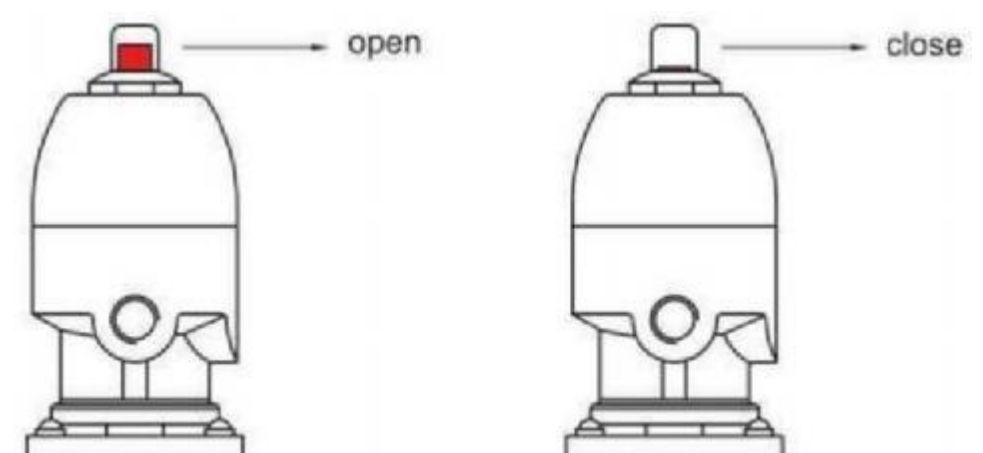
Type:WH-SS654

Size:DN15-DN80

Main material:PC display cover, stainless steel support, valve stem, shell

Status display:pneumatic switch state display

Signal feedback:can be installed FBS-SVC,FBS(solenoid valve intelligent control)



卫生级蝶阀 Sanitary Butterfly Valve



应用

该类型阀门系列是一款卫生型自动或手动操作的蝶阀系列，广泛应用于不锈钢管道系统内调节介质流量的一类阀门。

Application

The series of this valve are sanitary pneumatic or manual butterfly valves, which are widely used in stainless steel pipeline system to control and regulate medium flow.

工作原理

该类型阀门既可以通过一个电动执行器或气动执行器进行远程遥控操作，也可以通过一个手柄进行人为操控。

电动执行器或气动执行器是将一个活塞的轴向运动转换为阀门轴的90°旋转，实现对管道流体的控制和开/关任务。气动执行器装置有三种标准：常开(NO)型，常闭(NC)型，气/气(A/A)型。

鸭嘴式手动操作的多位手柄可通过15°位置的调节将阀门机械式锁定在其开启或关闭的12位子上，达到控制介质流量的目的：

拉杆式手动操作手柄通过4个多功能定位，将阀门机械式锁定在其开启或关闭的4个位子上，也达到控制介质流量的目的。

Work Principle

This kind of valve can be handled by manual an electric actuator, and also can be handled by a pneumatic actuator.

Electric actuator or pneumatic actuator convert the axial movement of piston to be 90° rotation of valve shaft. So that the valve can be open or close to achieve the requirement of control and open/close for the pipeline system. They have three type of actuator: normally open (NO), normally closed (NC), air/air (A/A).

Muti-position handle regulates the valve by 15° in its open or close 12 seats achieving control of medium flow purpose:

Pulling handle regulates the valve through four multi-function positioning, in its open or close four position, also achieves control of medium flow purpose.

材料

钢制部件: SUS304, SUS316L

密封圈: 硅橡胶 (VMQ)、氟橡胶 (FPM)、三元乙丙 (EPDM)

Material

Steel parts: SUS304, SUS316L

Seal: silicone (VMQ), fluoroelastomer (FPM), EPDM

不锈钢气动执行器 Stainless Steel Pneumatic Actuator

应用 Applications

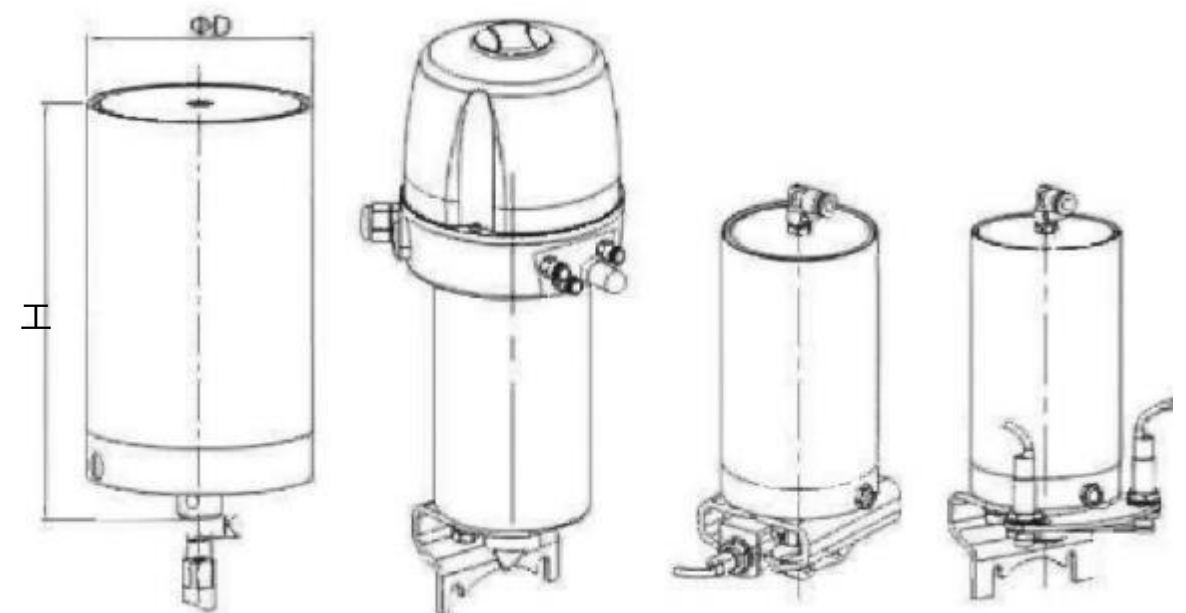
不锈钢垂直式气动执行器，主要应用在蝶阀，球阀等各种角行程阀门上。安装位置传感器，智能控制器，即可实现阀门自动化控制。尤其对环境要求较高车间如食品加工，饮料，果汁，啤酒，制药等工业领域。

Vertical SS pneumatic actuator is used to match kinds of angle journey valves,such as butterfly valve,ball valve.Install a position sensor and C-TOP can automatically control the valves.Widely applied to the workshop that have high request on environment. Such as in food processing,beverage,pharmacy,beer industries, etc.



不锈钢执行器
Stainless steel pneumatic actuator

D	H	K
86	172.5	8×8
86	172.5	10×10
86	172.5	11×11
114	244	11×11
114	244	14×14
133	295	11×11
133	295	14×14



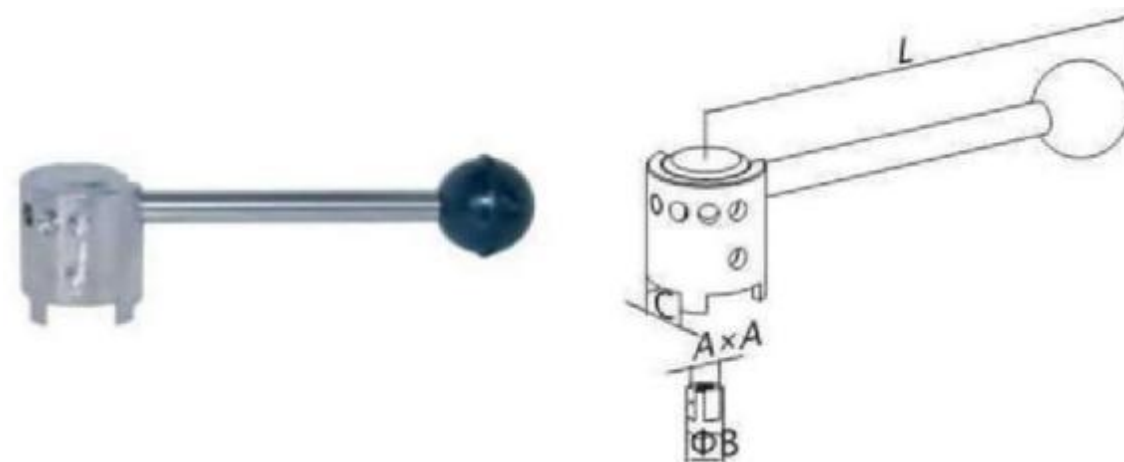
卫生级蝶阀手柄 Sanitary Butterfly Valve Handle

A型圆头拉式手柄

A type round head pulling handle

Size		A	B	C	L
DN25~DN65	1.0"~3.0"	10*10	12.5	20	138
DN80~DN100	4.0"	10*10	12.5	20	160
DN125~DN200	5.0"~8.0"	12*12	15.0	30	220

调解方式: 2个定位、3个定位、4个定位; 可装配所有蝶阀。
 Adjusting: 2 position、3 position、4 position used for butterfly valve

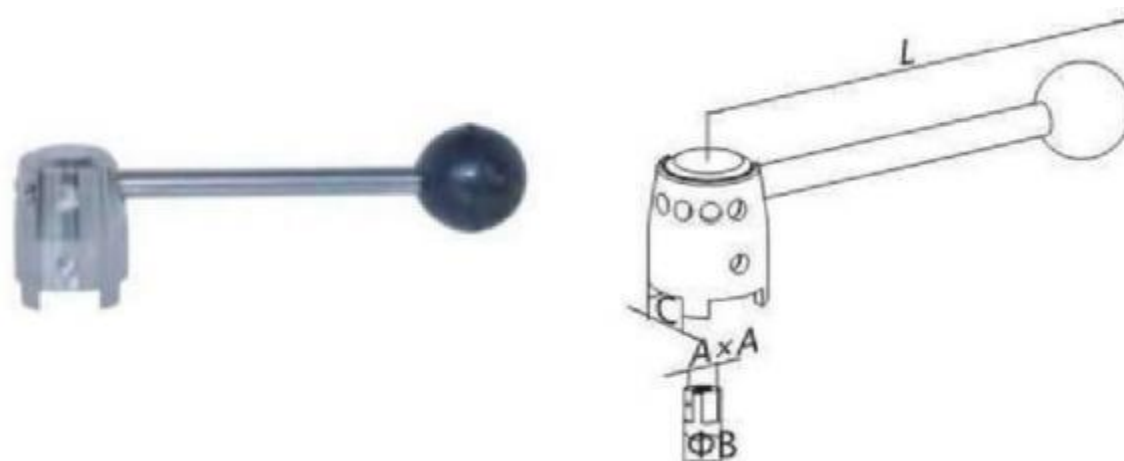


A-1型圆头拉式手柄

A-1 type round head pulling handle

Size		A	B	C	L
DN25~DN65	1.0"~3.0"	10*10	12.5	20	138
DN80~DN100	4.0"	10*10	12.5	20	160

调解方式: 2个定位、3个定位、4个定位; 可装配所有蝶阀。
 Adjusting: 2 position 3 position 4 position used for butterfly valve

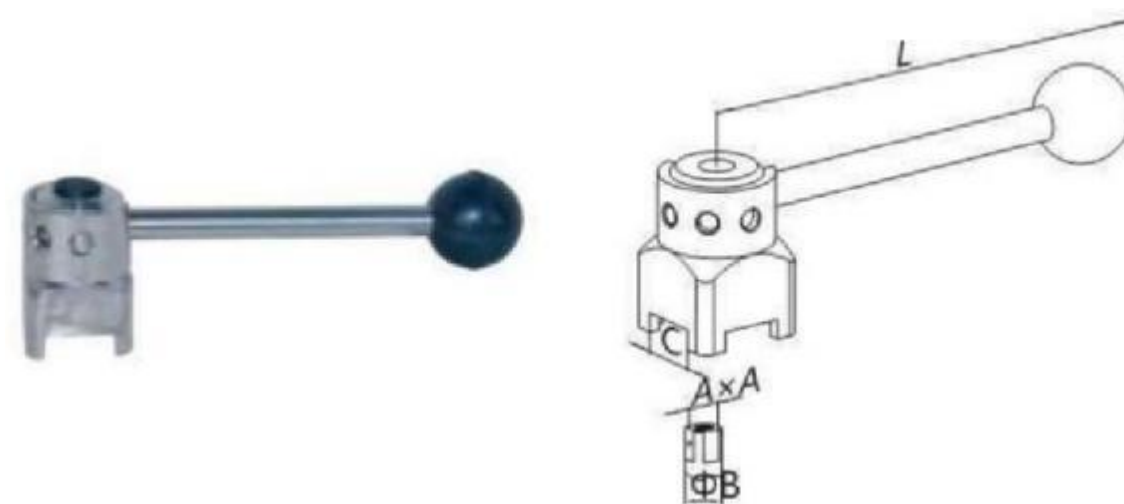


B型方头拉式手柄

B type square head pulling handle

Size		A	B	C	L
DN25~DN65	1.0"~3.0"	10*10	12.5	20	140
DN80~DN100	4.0"	10*10	12.5	20	155
DN125~DN200	5.0"~8.0"	12*12	15.0	30	190

调解方式: 2个定位、3个定位、4个定位; 可装配所有蝶阀。
 Adjusting: 2 position、2 position、2 position used for butterfly valve

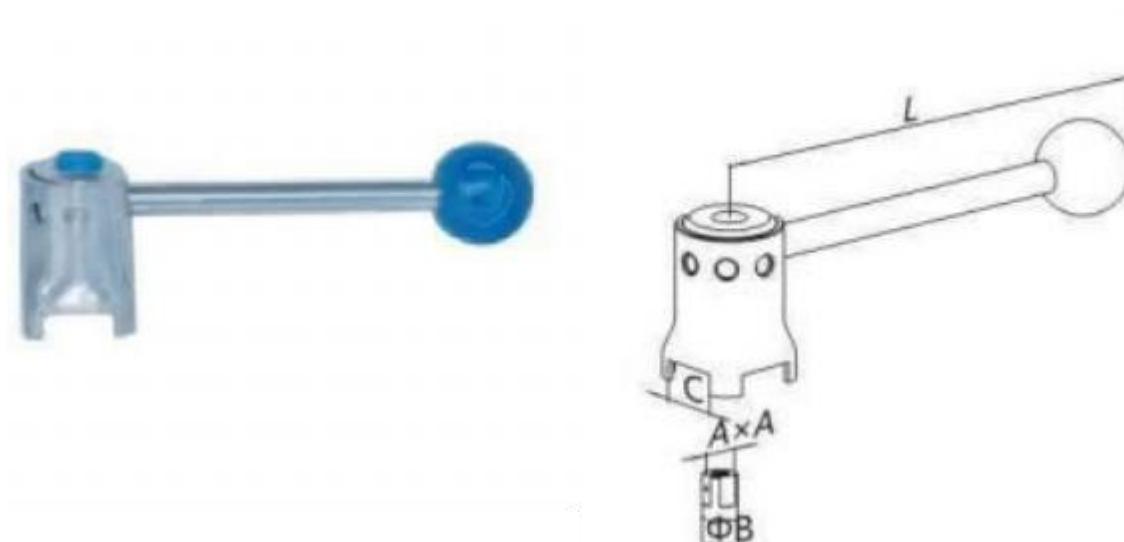


C型方头拉式手柄

C type square head pulling handle

Size		A	B	C	L
DN25~DN65	1.0"~3.0"	10*10	12.5	20	140
DN80~DN100	4.0"	10*10	12.5	20	155
DN125~DN200	5.0"~8.0"	12*12	15.0	30	190

调解方式: 2个定位、3个定位、4个定位; 可装配所有蝶阀。
 Adjusting: 2 position、2 position used for butterfly valve



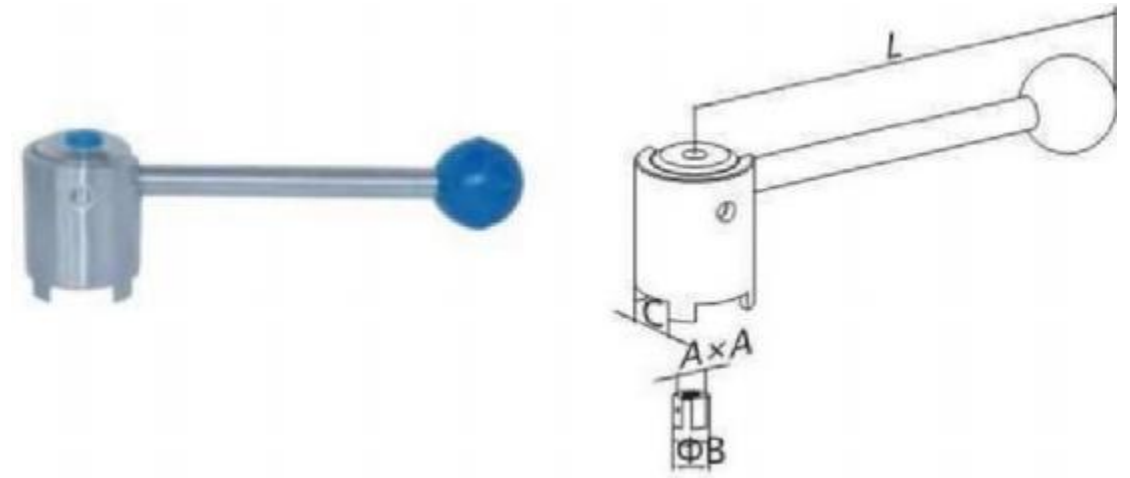
卫生级蝶阀手柄 Sanitary Butterfly Valve Handle

D型圆头拉式手柄

D type round head pulling handle

Size		A	B	c	L
DN25~DN65	1.0"~3.0"	10*10	12.5	20	138
DN80~DN100	4.0"	10*10	12.5	20	160

调解方式：2个定位、3个定位、4个定位；可装配所有蝶阀。
Adjusting: 2 position、3 position、4 position used for butterfly valve

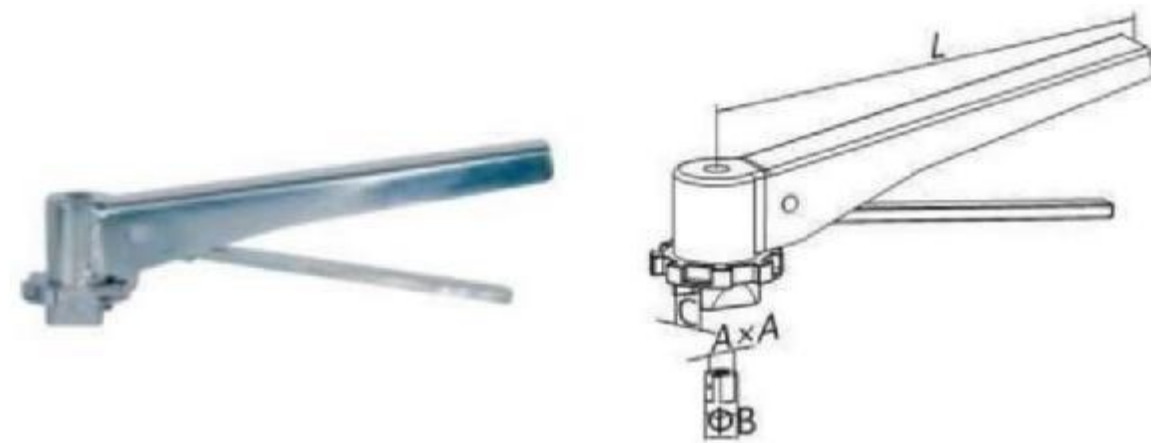


E型不锈钢多位手柄

E type stainless steel multi-position handle

Size		A	B	C	L
DN25~DN65	1.0"~3.0"	10*10	12.5	20	150
DN80~DN100	4.0"	10*10	12.5	20	170

调解方式：可通过45°位置调节开启大小，共有八个档位；可装配所有蝶阀。
Adjusting: adjustment 45°, 8 position used for butterfly valve

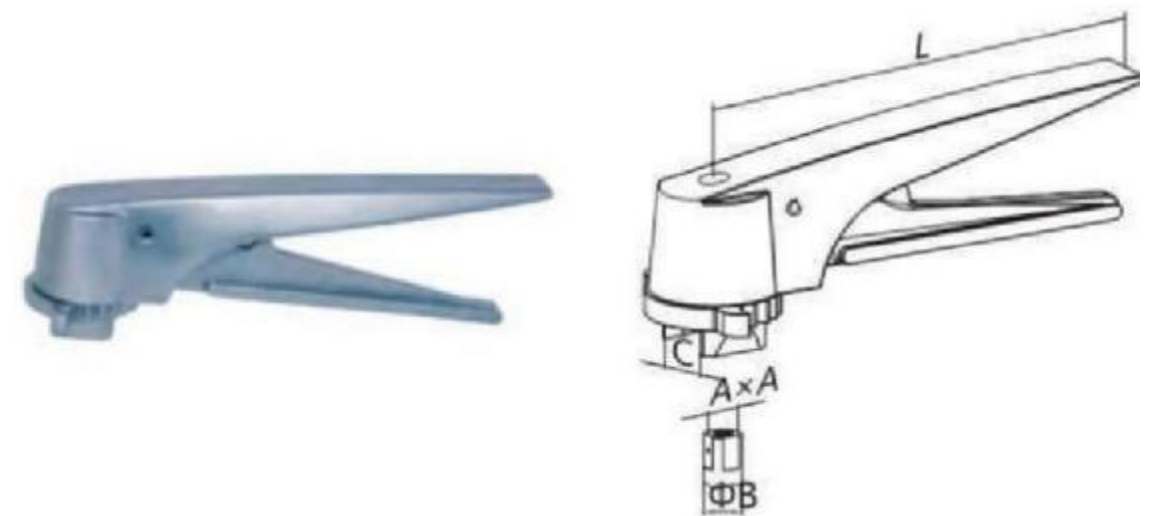


F型不锈钢多位手柄

F type stainless steel multi-position handle

Size		A	B	C	L
DN25~DN50	1.0"~2.5"	10*10	12.5	20	140
DN65~DN100	3.0"~4.0"	10*10	12.5	20	160

调解方式：可通过15°位置调节开启大小，共有十三个档位；可装配所有蝶阀。
Adjusting: adjustment 15°, 13 position used for butterfly valve

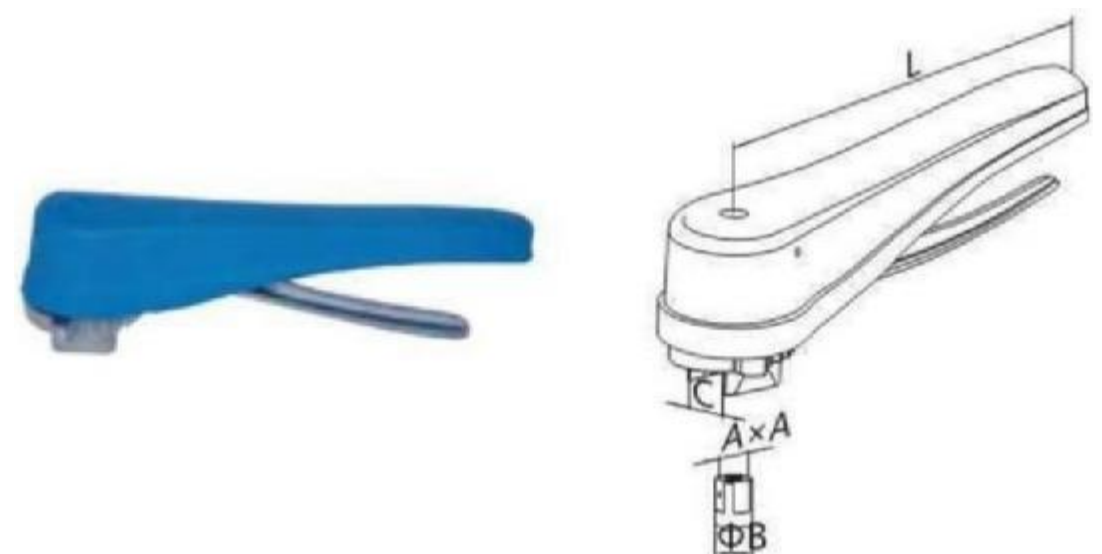


G型塑料多位手柄

G type plastic multi-position handle

Size		A	B	C	L
DN25~DN50	1.0"~2.5"	10*10	12.5	20	145
DN65~DN100	3.0"~4.0"	10*10	12.5	20	165

调解方式：可通过15°位置调节开启大小，共有十三个档位；可装配所有蝶阀。
Adjusting: adjustment 15°, 13 position used for butterfly valve



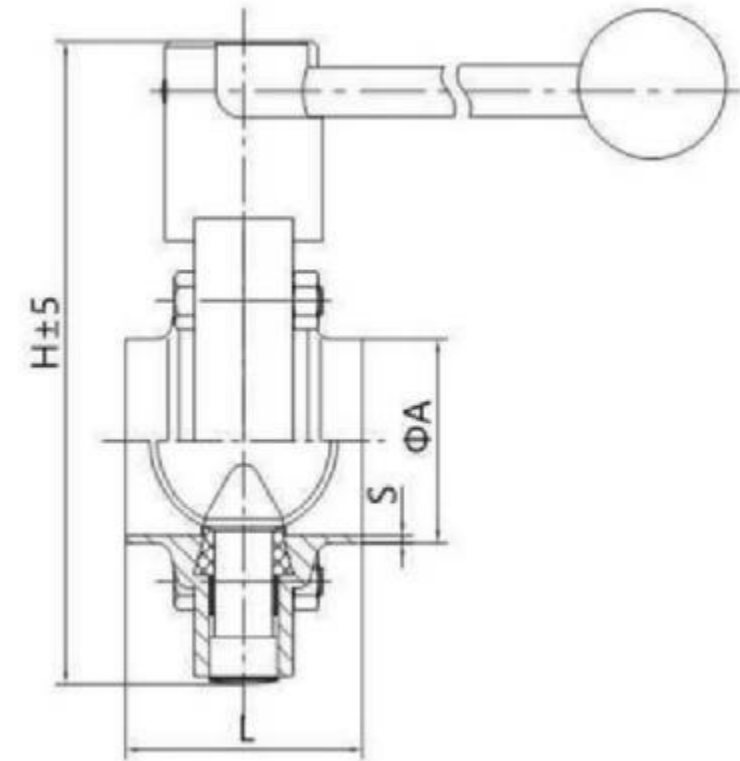
卫生级手动焊接蝶阀 Sanitary Manual Welding Butterfly Valve

手动焊接式

Welding type with manual

DIN

DN	A		S	L	H
	Series 1	Series 2			
DN20	22	23	1.5	50	120
DN25	28	29	1.5	50	120
DN32	34	35	1.5	50	125
DN40	40	41	1.5	50	131
DN50	52	53	1.5	52	150
DN65	70		2	56	170
DN80	85		2	56	188
DN100	104		2	60	208
DN125	129		2	70	237
DN150	154		2	75	287



SMS

Size	A	S	L	H
SMS25	25	1.25	50	120
SMS38	38	1.25	50	130
SMS51	51	1.25	52	150
SMS63.5	63.5	1.5	56	170
SMS76	76.1	1.6	56	188
SMS101.6	101.6	2	60	208

3A

Size	A	S	L	H
1"	25.4	1.65	50	120
1.5"	38.1	1.65	50	130
2"	50.8	1.65	52	150
2.5"	63.5	1.65	56	170
3"	76.2	1.65	56	188
4"	101.6	2.11	60	208

ISO

Size	A	S	L	H
33.7	33.7	2	50	120
42.4	42.4	2	50	130
48.3	48.3	2	52	150
60.3	60.3	2	56	170
76.1	76.1	2.3	56	188
114.3	114.3	2.6	60	208

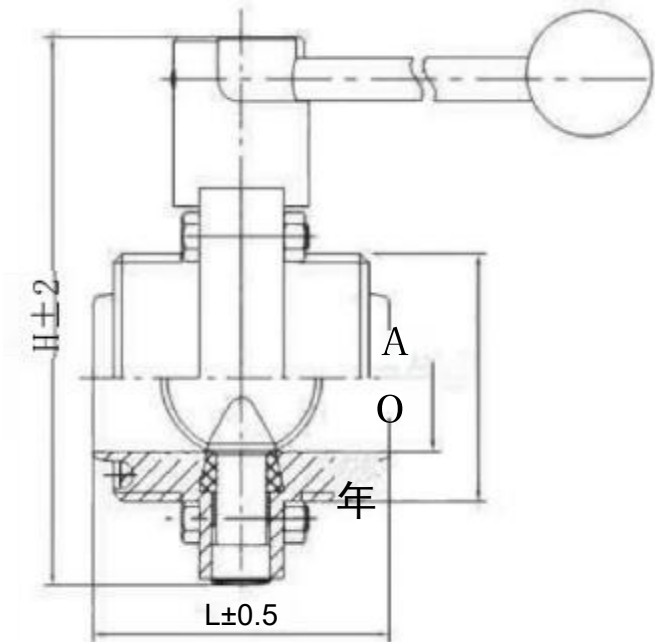
卫生级手动快装蝶阀 Sanitary Manual Clamp Butterfly Valve

手动快装式

Clamp type with manual

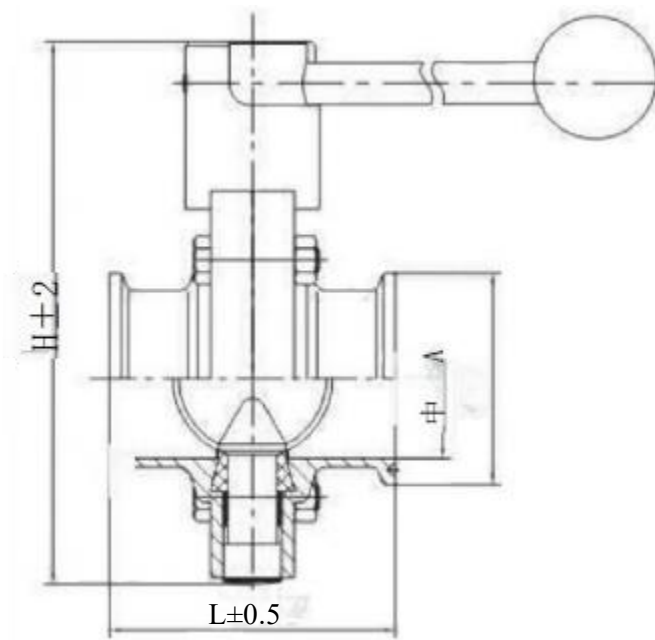
3A

Size	A	B	L	L1	H
1"	22.2	50.5	66	131	69
1.25"	28.6	50.5	66	131	72
1.5"	34.9	50.5	66	131	72
1.75"	42	64	70	131	79
2"	47.6	64	70	131	81
2.5"	59.5	77.5	76	141	89
3"	72.2	91	76	141	96
3.5"	85	106	85	141	103
4"	97.6	119	90	141	110
5"	125	145	100	215.5	130
6"	143	167	110-120	215.5	145
8"	198	217	110-120	243.5	214



SMS / 3A / ISO

Size	A	B	L	H
1.0"	22.1	50.5	66	130
1.5"	34.8	50.5	66	130
2.0"	47.5	64	70	140
2.5"	60.2	77.5	76	170
3.0"	72.9	91	76	170
3.5"	85	106	85	170
4.0"	97.38	119	90	208

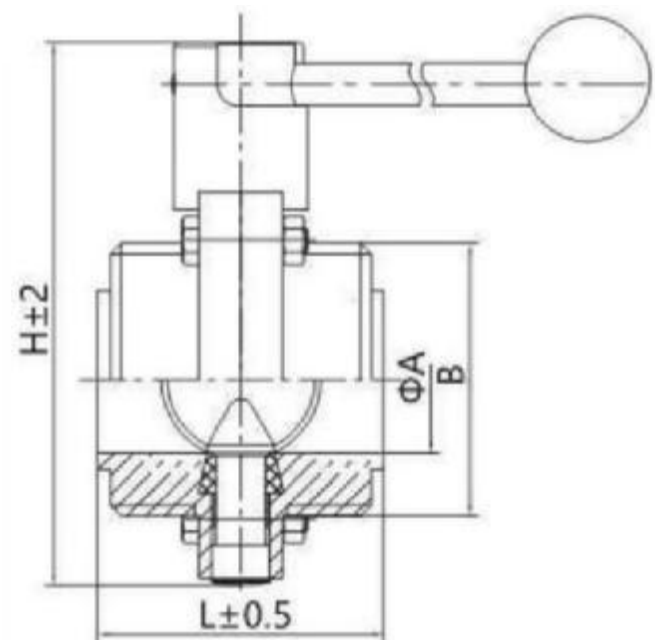


手动螺纹式

Threaded type with manual

RJT

Size	A	B	L	H
1.0"	22.1	45.72×8TPI WHIT	66	120
1.5"	34.8	58.42×8TPI WHIT	70	130
2.0"	47.5	72.72×6TPI WHIT	70	150
2.5"	60.2	85.42×6TPI WHIT	80	170
3.0"	72.9	98.12×6TPI WHIT	80	188
4.0"	97.6	123.52×6TPI WHIT	85	208



手动螺纹式

Threaded type with manual

IDF

Size	A	B	L	H
1.0"	22.1	37.13×8TPI ACME	66	120
1.5"	34.8	50.65×8TPI ACME	70	130
2.0"	47.5	64.16×8TPI ACME	70	150
2.5"	60.2	77.67×8TPI ACME	80	170
3.0"	72.9	91.19×8TPI ACME	80	188
4.0"	97.6	125.9×6TPI ACME	85	208

卫生级气动焊接蝶阀 Sanitary Pneumatic Welding Butterfly Valve

气动焊接式

Welding type with pneumatic

DIN

DN	A		C	L	H
	series 1	series 2			
DN20	22	23	1.5	50	223
DN25	28	29	1.5	50	225
DN32	34	35	1.5	50	228
DN40	40	41	1.5	50	232
DN50	52	53	1.5	52	240
DN65	70		2.0	56	250
DN80	85		2.0	56	257
DN100	104		2.0	60	267

SMS

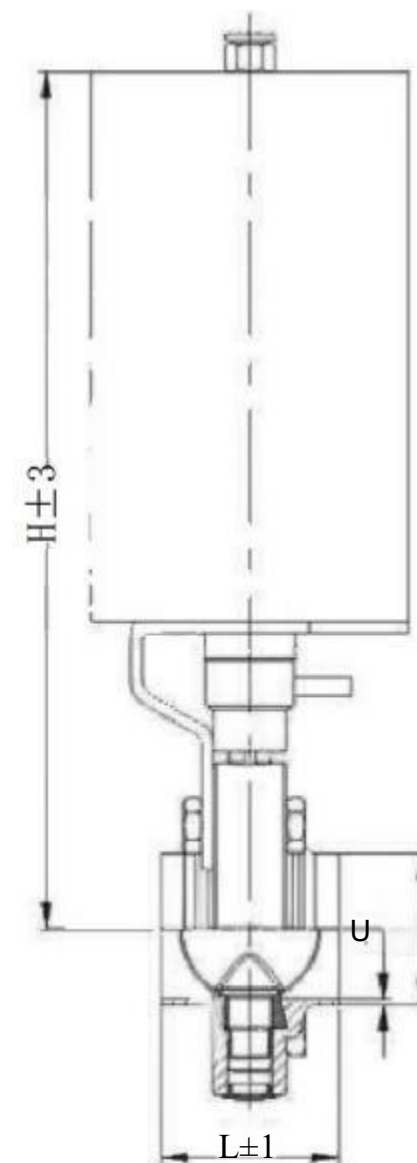
Size	A	C	L	H
SMS25	25	1.25	50	223
SMS38	38	1.25	50	228
SMS51	51	1.25	52	236
SMS63.5	63.5	1.5	56	244
SMS76	76.1	1.6	56	249
SMS101.6	101.6	2	60	267

3A

Size	A	C	L	H
1"	25.4	1.65	44	223.5
1.5"	38.1	1.65	44	228.5
2"	50.8	1.65	50	236.5
2.5"	63.5	1.65	50	244.3
3"	76.2	1.65	56	249.5
4"	101.6	2.11	60	267.3

ISO

Size	A	C	L	H
33.7	33.7	2	44	223
42.4	42.4	2	44	228
48.3	48.3	2	44	236
60.3	60.3	2	50	244
76.1	76.1	2.3	56	249
114.3	114.3	2.6	60	267



卫生级气动快装蝶阀 Sanitary Pneumatic Clamp Butterfly Valve

气动快装式

Clamp type with pneumatic

3A

Size	d	D	L	H
1"	22.2	50.5	66	223
1.25"	28.6	50.5	66	223
1.5"	34.9	50.5	66	225
1.75"	42	64	70	228
2"	47.6	64	70	232
2.5"	59.5	77.5	76	240
3"	72.2	91	76	250
3.5"	85	106	85	257
4"	97.6	119	90	267

SMS/3A/ISO

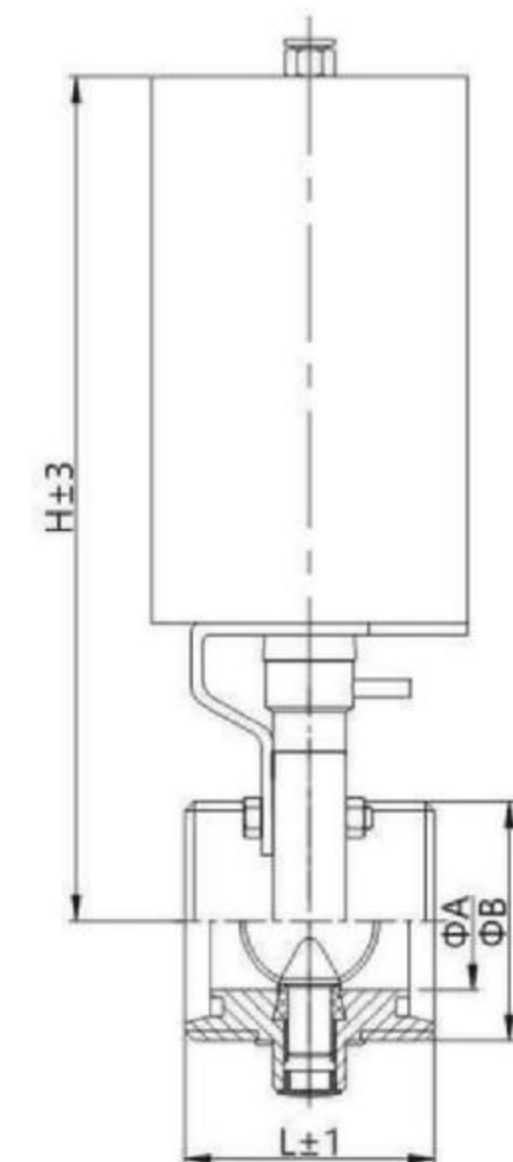
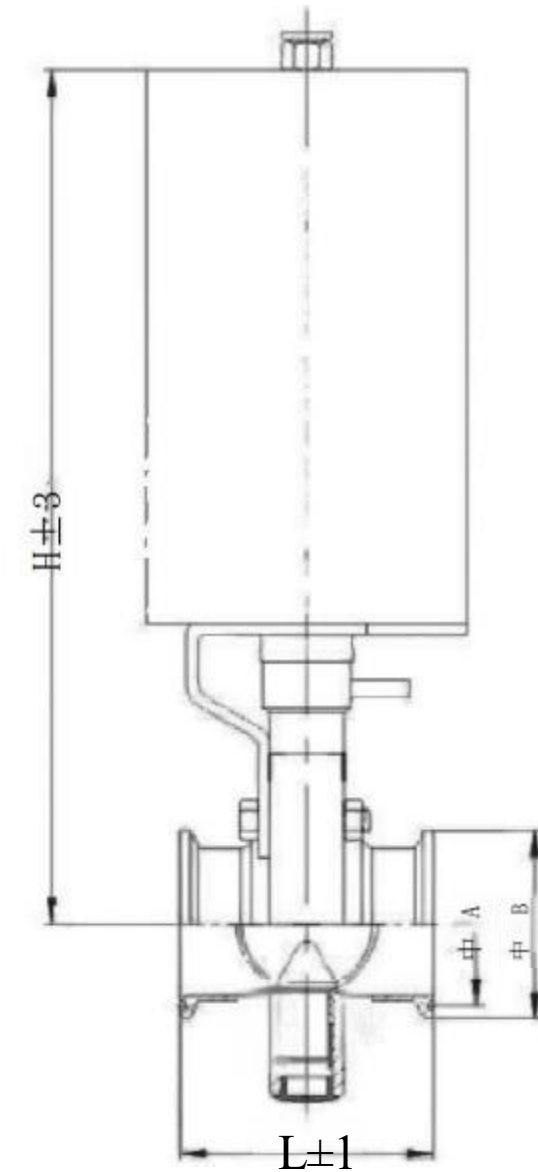
Size	A	B	L	H
1.0"	22.1	50.5	66	223
1.5"	34.9	50.5	70	228
2.0"	47.5	64	70	236
2.5"	60.2	77.5	76	244
3.0"	72.9	91	76	249
3.5"	84	106	85	249
4.0"	97.6	119	90	267

气动螺纹式

Threaded type with pneumatic

DIN

DN	A	B	L	H
DN20	20	RD44 × 1/6"	66	223
DN25	26	RD52 × 1/6"	66	225
DN32	32	RD58 × 1/6"	66	228
DN40	38	RD65 × 1/6"	68	232
DN50	50	RD78 × 1/6"	70	240
DN65	66	RD95 × 1/6"	72	250
DN80	81	RD110 × 1/4"	92	257
DN100	100	RD130 × 1/4"	96	267



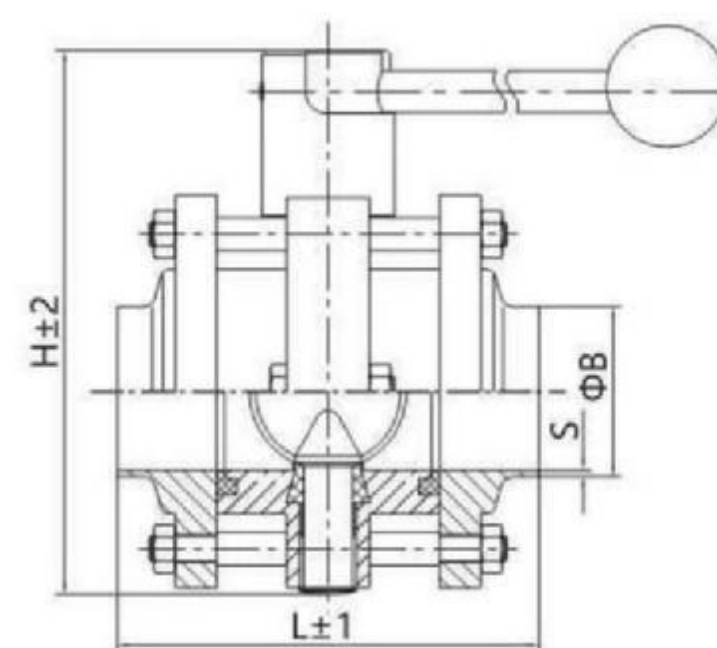
卫生级手动三片式蝶阀 Sanitary Manual Three-piece Butterfly Valve

手动三片式

Three-piece type with manual

DIN

DN	s	B		L	H
		Series 1	Series 2		
DN25	1.5	28	29	90	120
DN32	1.5	34	35	90	125
DN40	1.5	40	41	90	130
DN50	1.5	52	53	105	150
DN65	2	70		105	170
DN80	2	85		105	188
DN100	2	104		105	208
DN125	2	129		120	237
DN150	2	154		120	287



SMS

Size	S	B	L	H
SMS25	1.25	25	90	120
SMS38	1.25	38	90	130
SMS51	1.25	51	105	150
SMS63.5	1.5	63.5	105	170
SMS76	1.6	76.1	105	188
SMS101.6	2	101.6	105	208



3A

Size	S	B	L	H
1"	1.65	25.4	90	120
1.5"	1.65	38.1	90	130
2"	1.65	50.8	105	150
2.5"	1.65	63.5	105	170
3"	1.65	76.2	105	188
4"	2.11	101.6	105	208

ISO

Size	S	B	L	H
33.7	2	33.7	90	120
42.4	2	42.4	90	125
48.3	2	48.3	105	130
60.3	2	60.3	105	150
76.1	2.3	76.1	105	188
114.3	2.6	114.3	105	208

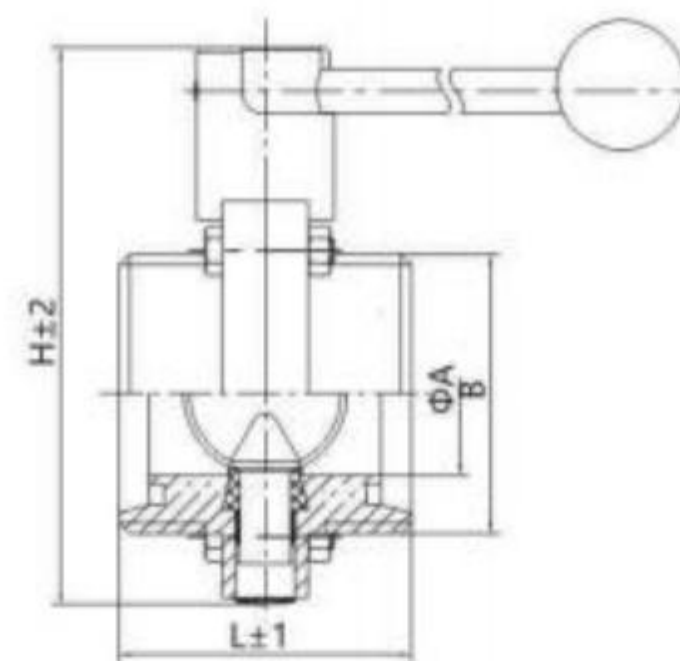
卫生级手动螺纹蝶阀 Sanitary Manual Thread Butterfly Valve

手动螺纹式

Threaded type with manual

DIN

DN	A	B	L	H
DN20	20	RD44 × 1/6"	66	120
DN25	26	RD52 × 1/6"	66	120
DN32	32	RD58 × 1/6"	66	125
DN40	38	RD65 × 1/6"	68	130
DN50	50	RD78 × 1/6"	70	150
DN65	66	RD95 × 1/6"	72	170
DN80	81	RD110 × 1/4"	92	188
DN100	100	RD130 × 1/4"	96	208
DN125	125	RD160 × 1/4"	106	237
DN150	150	RD190 × 1/4"	120	287

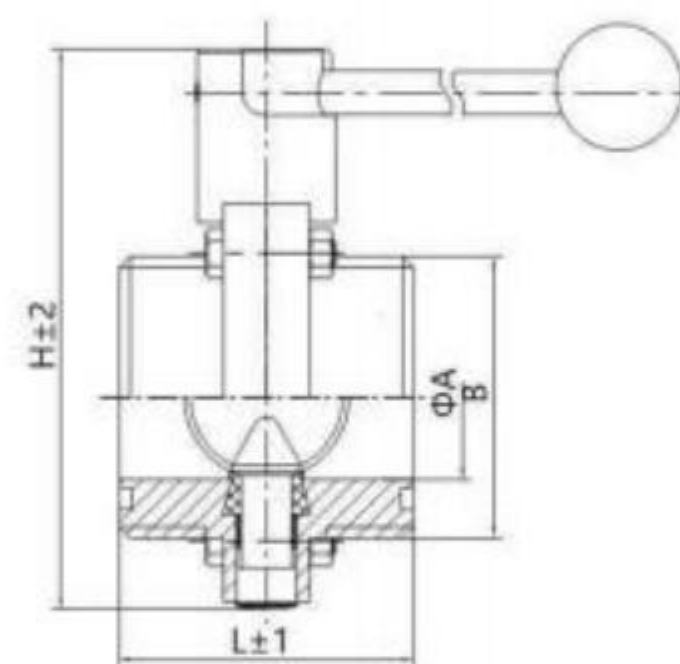


手动螺纹式

Threaded type with manual

SMS

Size	A	B	L	H
SMS25	22.5	RD40 × 1/6"	66	120
SMS38	35.5	RD60 × 1/6"	72	130
SMS51	48.5	RD70 × 1/6"	76	150
SMS63.5	60.5	RD85 × 1/6"	80	170
SMS76	72.9	RD98 × 1/4"	80	188
SMS101.6	97.6	RD125 × 1/4"	94	208

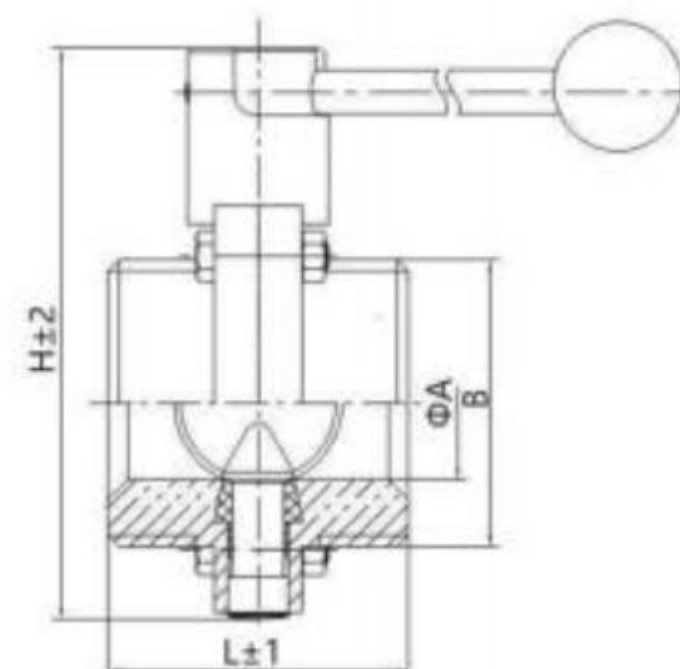


手动螺纹式

Threaded type with manual

3A

Size	A	B	L	H
1.0"	22.1	37.13 × 8TPI ACME	66	120
1.5"	34.8	50.65 × 8TPI ACME	72	130
2.0"	47.5	64.16 × 8TPI ACME	76	150
2.5"	60.2	77.67 × 8TPI ACME	80	170
3.0"	72.9	91.19 × 8TPI ACME	80	188
4.0"	97.6	119.25 × 6TPI ACME	94	208



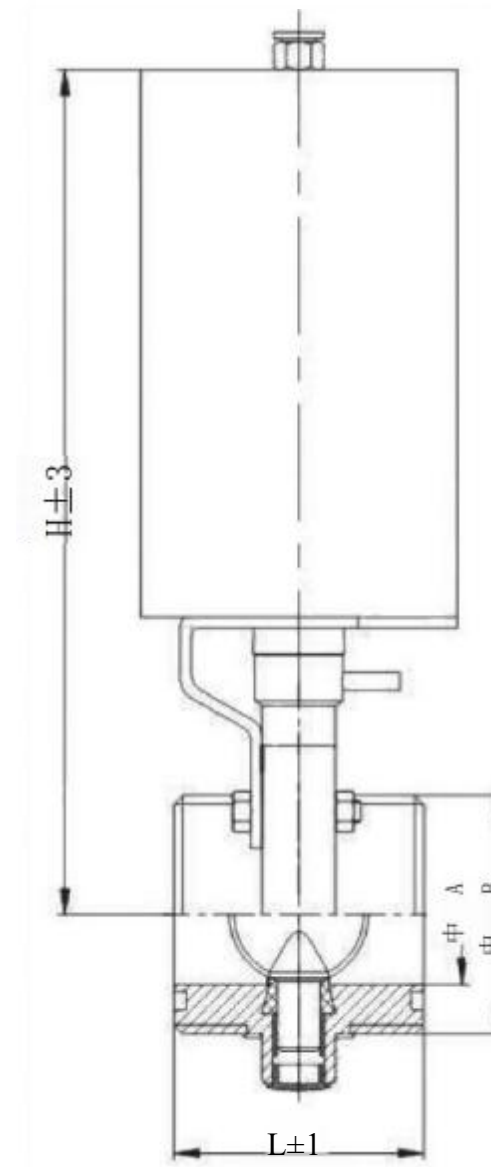
卫生级气动螺纹蝶阀 Sanitary Pneumatic Thread Butterfly Valve

气动螺纹式

Threaded type with pneumatic

SMS

Size	A	B	L	H
SMS25	22.5	RD40 × 1/6"	66	225
SMS32	35.5	RD60 × 1/6"	72	228
SMS51	48.5	RD70 × 1/6"	76	240
SMS63.5	60.5	RD85 × 1/6"	80	250
SMS76	72.9	RD98 × 1/4"	80	257
SMS101.6	97.6	RD125 × 1/4"	94	267

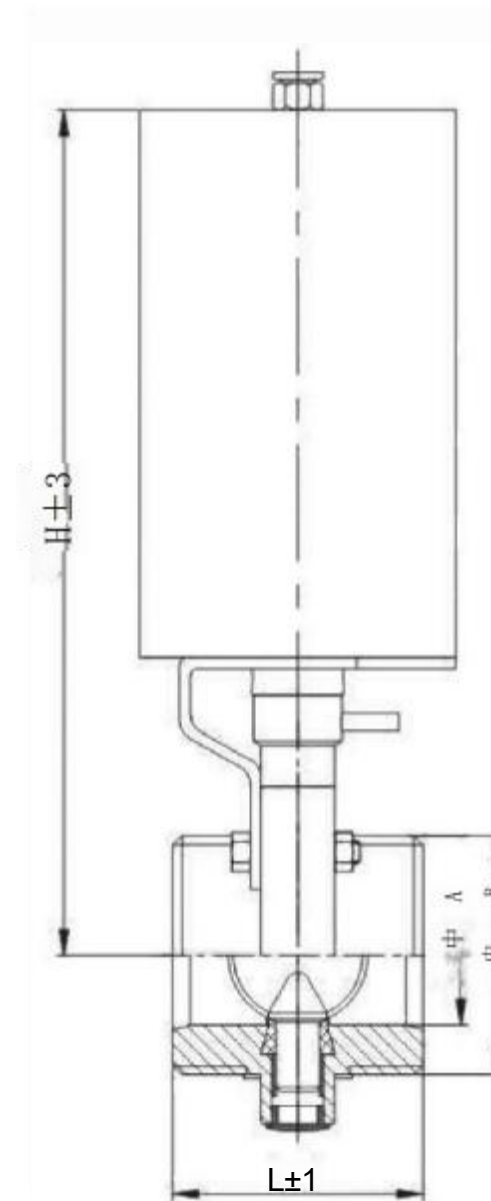


气动螺纹式

Threaded type with pneumatic

3A

Size	A	B	L	H
1.0"	22.1	37.13 × 8TPI ACME	66	223
1.5"	34.8	50.65 × 8TPI ACME	72	228
2.0"	47.5	64.16 × 8TPI ACME	76	236
2.5"	60.2	77.67 × 8TPI ACME	80	244
3.0"	72.9	91.19 × 8TPI ACME	80	250
4.0"	97.38	119.25 × 6TPI ACME	96	267



卫生级气动三片式蝶阀 Sanitary Pneumatic Three-piece Butterfly Valve

气动三片式

Three-piece type with pneumatic

DIN

DN	A		B	L	H
	series 1	series 2			
DN20	22	23	1.5	90	223
DN25	28	29	1.5	90	225
DN32	34	35	1.5	90	228
DN40	40	41	1.5	90	232
DN50	52	53	1.5	105	240
DN65	70		2.0	105	250
DN80	85		2.0	105	257
DN100	104		2.0	105	267

SMS

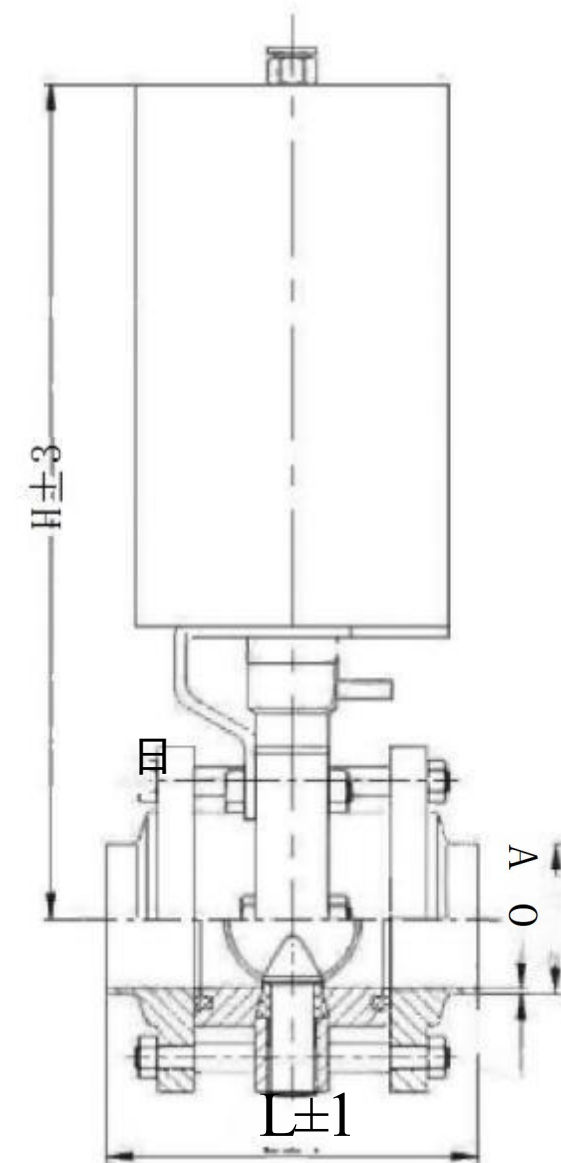
Size	A	B	L	H
SMS25	25	1.25	90	223
SMS38	38	1.25	90	228
SMS51	51	1.25	105	236
SMS63.5	63.5	1.5	105	244
SMS76	76.1	1.6	105	250
SMS101.6	101.6	2	105	267

3A

Size	A	B	L	H
SMS25	25.4	1.65	90	223
SMS38	38.1	1.65	90	228
SMS51	50.8	1.65	105	236
SMS63.5	63.5	1.65	105	244
SMS76	76.2	1.65	105	250
SMS101.6	101.6	2.11	105	267

ISO

Size	A	B	L	H
33.7	33.7	2	90	223
42.4	42.4	2	90	228
48.3	48.3	2	90	236
60.3	60.3	2	105	244
76.1	76.1	2.3	105	250
114.3	114.3	2.6	105	267



各类密封材质最主要特性

The Main Characteristics of The Kings of Sealing Materials

三元乙丙橡胶(EPDM)

EPDM 橡胶对大部分食品都稳定, 因此广泛用于食品工业。另一个优点是它可以使用的推荐温度为140°C (244F), 但也存在一个极限, EPDM 不耐有机油、无机油和脂肪, 但耐臭氧性极优。

硅橡胶(VMQ)

硅橡胶最显著的品质特点是它能够应用的温度为-50°C (-58 ° F) 到大约 +180°C (356°F) 而且仍然能够保持弹性。化学稳定性仍可满足大多数产品的要求, 但是, 纯碱液和酸以及热水和蒸汽可能会损坏硅橡胶, 耐臭氧性好。

丁腈橡胶(NBR)

NBR是一种经常用于技术用途的橡胶类型。它对大多数碳氢化合物(例如: 油、油脂和脂肪)都非常稳定, 对于稀碱和硝酸也十分稳定, 它可以使用的推荐最高温度是95°C (203 ° F)。由于NBR 会被臭氧破坏, 因此它不能暴露于紫外线下, 应该避光保存。

氟化橡胶(FPM)

在其它类型的橡胶不适合时, 尤其是在高达180°C (356° F) 的高温时, 通常会使用FPM。对于大多数产品的化学稳定性都很好, 但是应该避免热水、蒸汽、碱液、酸和酒精, 耐臭氧性好。

聚四氟乙烯(PTFE)

PTFE具有优良的化学稳定性、耐腐蚀性(是当今世界上耐腐蚀性能最佳材料之一, 除熔融的碱金属外, 聚四氟乙烯几乎不受任何化学试剂腐蚀)。例如在浓硫酸、硝酸、盐酸、酒精, 甚至在王水中煮沸, 其重量及性能均无变化工作温度: -25°C至250°C。

Ethylene Propylene Rubber (EPDM)

EPDM rubber is widely used in the food industry ,as it is resistant to most products used in this sector. Another advantage is that it may be used to a recommend max temperatures of 140°C(244°F). However, there is one essential limitation, EPDM is not resistant to organic and non-organic oils and fats. But the resistance to ozone is excellent

Silicone Rubber (VMQ)

The outstanding quality of silicone rubber is that it can be applied from temperatures below-50°C(-58°F)to approx+180°C(356°F)and still keep its elasticity. The chemical resistance is satisfactory to most products .However undiluanee lye and acids as well as hot water and steam may destroy sillcone rubber. But the resistance ozone is good.

Actylonitrile Butadiene Rubber(NBR)

NBR is the rubber type most frequently used for technical purposes. It is quite resistant to most hydrocarbons (e.g:oil,grease and fat).It is sufficiently resistant to diluted lye and nitric acid and may be used to a recommend max temperatures of 95°C(203°F).As NBR is attacked by ozone .it may not be exposed to ultraviolet rays and should thus Keep in dark place.

Fluorine Rubber(FPM)

FPM is often used when other rubber types are unsuited.especially at high temperatures up to approx 180°C(356°F).The chemical resistance is good to most products,homever hot water,steam,lye,acil and alcohol should be avolded.The resistance to ozone is good.

Polytetrafluoroethy(PTFE)

PTFE has great chemical stability,corrosion resistance.

PTFE is almost free from any chemical reagents corrosion,which was one of the best materials,of corrosion resistance of the world with the exception of molten alkali metal.For example,in concentrated sulfuric acid,nitric acid,hydrochloric acid,alcohol,even in boiling water.PTFE did not change its weight and performance.Operating temperature:-25°C~+250°C

各国不锈钢牌号

Stainless Steel Standards of Different Countries

中国	欧盟	美国	美国	英国	德国	日本
GB (China)	EN (Europa)	AISI (U. S. A)	ASTM (U. S. A)	BSI (U. K)	DIN (Germany)	JIS (Japan)
0Cr18Ni9 (06Cr19Ni10)	X5CrNi18-10	304	TP304	304S15 304S 16	1. 4301	SUS304
00Cr19Ni10 (022Cr19Ni10)	X2 CrNi19-11	304L	TP304L	304S11	1. 4306	SUS304L
0Cr17Ni12Mo2 (06Cr17Ni12Mo2)	X5CrNiMo17-2-2	316	TP316	316S31	1. 4401	SUS316
00Cr17Ni14Mo2 (022Cr17Ni12Mo2)	X2CrNiMo17-2-2	316L	TP316L	316S 11	1. 4404	SUS316L

化学成分与力学性能

Chemical Composition and Mechanics Property

中国 (GB)	钢种	碳 ≤	硅 ≤	锰 ≤	磷 ≤	硫 ≤	铬	钼	镍	力学性能			
		C	Si	Mn	P	S	Cr	Mo	Ni	屈服强度 σ_2 (Mpa) ≥	抗拉强度 σ_b (Mpa) ≥	延伸率 δ5 %	硬度HB ≤
	304	0.07	1.0	2.0	0.035	0.030	18.0-20.0	/	8.0-11	205	520	40	187
	304L	0.03	1.0	2.0	0.035	0.030	18.0-20.0	/	8.0-12	177	480	40	187
	316	0.08	1.0	2.0	0.035	0.030	16.0-18.5	2.0-3.0	10-14	205	520	40	187
	316L	0.03	1.0	2.0	0.035	0.030	16.0-18.0	2.0-3.0	12-15	177	480	40	187

美国 (ASTM)	钢种	碳 ≤	硅 ≤	锰 ≤	磷 ≤	硫 ≤	铬	钼	镍	力学性能			
		C	Si	Mn	P	S	Cr	Mo	Ni	屈服强度 σ_2 (Mpa) ≥	抗拉强度 σ_b (Mpa) ≥	延伸率 δ5 %	硬度HB ≤
	TP304	0.08	0.75	2.0	0.040	0.030	18.0-20.0	/	8.0-11	205	515	35	187
	TP304L	0.035	0.75	2.0	0.040	0.030	18.0-20.0	/	8.0-13	170	485	35	187
	TP316	0.08	0.75	2.0	0.040	0.030	16.0-18.0	2.0-2.5	10-14	205	515	35	187
	TP316L	0.035	0.75	2.0	0.040	0.030	16.0-18.0	2.0-2.5	12-15	170	485	35	187

营销网络 Marketing Network



善流科技伟恒领先于其它同行的地方在于我们产品的广泛应用。我们能提供针对客户不同工序设计的部件，除了阀门外，我们供应的卫生产品还包括管件、管道连接件、过滤器、视镜、清洗球及非标管件等。

Shan'liu'ke'ji WeiHeng's feature lies in its wide product application. We can provide products according to your different designs of components. In addition to valves, we supply sanitary products including pipe fittings, pipe, filter, sight glass, cleaning ball and non-standard pipe fittings etc.

善流科技伟恒能为您提供符合所有技术要求的原材料。以下是我们主要的原材料。如果您有其它需要，请向我们咨询。

代号 Desication	材料 MATERIAL	主要基础材料	耐温性能(°C)	适用范围
FKM	氟橡胶 Fluorocarbon	丁腈橡胶NBR	-25至+100	液压油，脂肪油，碳氢化合物润滑油，动植物油，水，丁烷，压缩气体等。
NBR	丁腈橡胶 Nitmle	氟橡胶FKM	-15至+240	适用油料，臭氧，恶劣天气，液压流体，化学溶剂，不易燃的油料和化学产品等。
EPDM	三元乙丙橡胶 Ethylene-propylene diene monomer	硅橡胶VMQ	-60至+250	低温或高温，氧气，惰性气体，酸和弱碱，臭氧，绝缘性能良好。
HNBR	氢化丁腈橡胶 Hhydrogenated Nitrile	三元乙丙橡胶 EPDM 硫化处理 -过氧化物处理	-45至+110 -45至150	适用于食品(过氧化物)：水，饮料，臭氧，恶劣天气，不易燃的液体，蒸汽，各种酸，氢氧化钠，乙二醇等
MVQ	硅胶 Silicone	氯丁橡胶CR	-35至+100	气体，臭氧，温度低于80°C的水，植物油，氧气，氢氧化钠，恶劣天气，氯，脂肪类醇，制冷气体，食品加工，二氧化碳
PU	聚氨酯 Polyurethane	聚四氟乙烯PTFE	-150至+260	耐腐蚀性好，高绝缘性，摩擦系数低
PU-THP	/	氢化丁腈橡胶HNBR	-35至+150	臭氧，紫外线，热水，含硫油料
PA	聚酰胺 Polyamide	FFKM全氟橡胶	-15至+250	几乎能应对所有化学腐蚀，绝佳的耐温性。能应对各种大气介质及臭氧。高温下仍能保持良好的密封性。这些优点都能使维修成本降低。
PE	聚乙烯 polyethylene	FVMQ氟硅橡胶	-60至+180	比硅橡胶更能应对在合成矿物油中的膨胀问题。